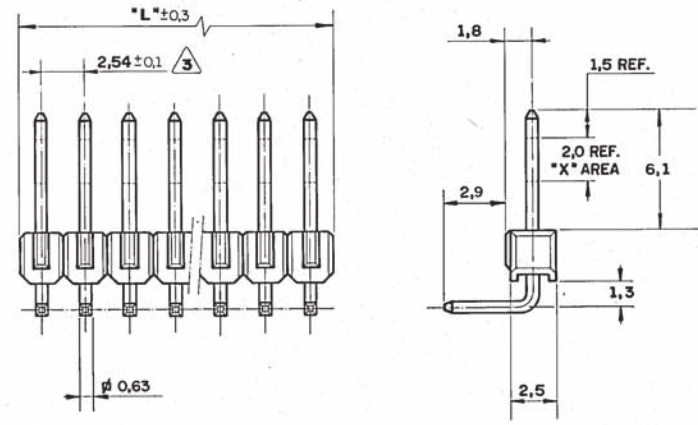


SHEET 1 OF 1
DWG NO. C 626251

DWG NO.	DO NOT SCALE		METRIC		3rd ANGLE PROJECTION
	DIMENSIONS IN mm.				
REQ. PER ASSY	ITEM	DESCRIPTION	MATERIAL	FINISH	

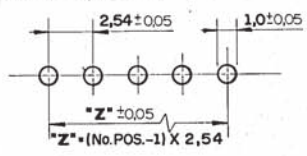


127,00	50	5-	-0
124,46	49	4-	-9
121,92	48	4-	-8
119,38	47	4-	-7
116,84	46	4-	-6
114,30	45	4-	-5
111,76	44	4-	-4
109,22	43	4-	-3
106,68	42	4-	-2
104,14	41	4-	-1
101,60	40	4-	-0
99,06	39	3-	-9
96,52	38	3-	-8
93,98	37	3-	-7
91,44	36	3-	-6
88,90	35	3-	-5
86,36	34	3-	-4
83,82	33	3-	-3
81,28	32	3-	-2
78,74	31	3-	-1
76,20	30	3-	-0
73,66	29	2-	-9
71,12	28	2-	-8
68,58	27	2-	-7
66,04	26	2-	-6
63,50	25	2-	-5
60,96	24	2-	-4
58,42	23	2-	-3
55,88	22	2-	-2
53,34	21	2-	-1
50,80	20	2-	-0
48,26	19	1-	-9
45,72	18	1-	-8
43,18	17	1-	-7
40,64	16	1-	-6
38,10	15	1-	-5
35,56	14	1-	-4
33,02	13	1-	-3
30,48	12	1-	-2
27,94	11	1-	-1
25,40	10	1-	-0
22,86	9		-9
20,32	8		-8
17,78	7		-7
15,24	6		-6
12,70	5		-5
10,16	4		-4
7,62	3		-3
5,08	2		-2
2,54	1		-1

NOTES:
NOTAS

- CONTACT: BRASS, W/ 0,38 μm MIN. Au ON *X* AREA; 2,54 μm MIN. Sn HOUSING: THERMOPLASTIC W/ GLASS F. V-O, BLACK. ON SOLDER AREA, BOTH OVER TOTAL PLATING 1,27 μm MIN. Ni.
CONTATO: LATÃO, C/ 0,38 μm MIN. Au NA AREA *X* ; 2,54 μm MIN. Sn RECEPTACULO: TERMOPLÁSTICO C/ F. VIDRO V-O, PRETO. NA AREA DE SOLDA, AMBOS SOBRE BANHO TOTAL DE 1,27 μm MIN. DE Ni.
- THIS DASH IS OBSOLETE. ESTE TRAÇO É OBSOLETO.
- TOLERANCE NON-CUMULATIVE. TOLERÂNCIA NÃO CUMULATIVA.

P.C. BOARD MOUNTING AND HOLE PATTERN
FURAÇÃO RECOMENDADA P/ PLACA DE C.I.



CUSTOMER DWG for REFERENCE ONLY		THIS DRAWING IS UNPUBLISHED & NOT TO BE RELEASED FOR PUBLICATION	
TOLERANCES UNLESS OTHERWISE STATED DEC 20,3 ANGLES 21°		INS DIA RANGE	WIRE RANGE
DR E. LOPES 23 DEC 94		SCALE	
CHK M. RUSSO 23 DEC 94		AMP do BRASIL LTDA. São Paulo, Brasil	
DESCRIPTION AMP MODU II PIN HEADER SINGLE ROW RIGHT ANGLE (SQUARE POST)		PART NUMBER	
APP M.E. DINZ 23 DEC 94		626251-1	
REV. NO. DATE		DWS NO. C 626251	
ECH		SHEET 1 of 1	