

CTUP3BF Series

From 0.47 μ H to 100 μ H



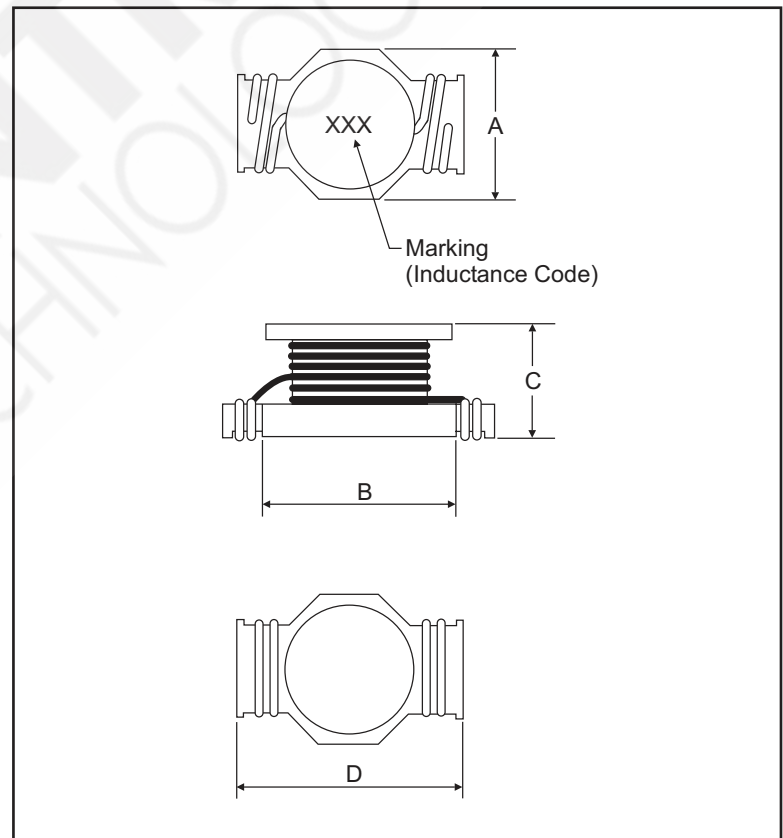
SPECIFICATIONS

Parts are available in $\pm 20\%$ inductance tolerance only.

Part Number	Inductance (μ H)	L Test Freq. (kHz)	DCR Max. (m Ω)	Rated DC Current (A)
CTUP3BF-0R47	.47	100	2.50	25.1
CTUP3BF-1R0	1.0	100	4.30	15.3
CTUP3BF-1R5	1.5	100	5.90	12.0
CTUP3BF-2R2	2.2	100	7.50	10.2
CTUP3BF-2R8	2.8	100	10.3	9.30
CTUP3BF-4R7	4.7	100	15.0	7.70
CTUP3BF-6R8	6.8	100	22.0	6.20
CTUP3BF-10	10	100	27.0	5.20
CTUP3BF-15	15	100	45.0	4.30
CTUP3BF-22	22	100	63.0	3.70
CTUP3BF-33	33	100	102.0	3.00
CTUP3BF-47	47	100	132.0	2.40
CTUP3BF-68	68	100	185.0	2.00
CTUP3BF-101	100	100	265.0	1.80

PHYSICAL DIMENSIONS

Size	A Max.	B	C Max.	D Max.
mm	13.3	12.7	6.9	19.5
inches	0.524	0.500	0.272	0.768



CHARACTERISTICS

- Description:** SMD power inductor
- Applications:** DC/DC converters, computers, LCD displays, telecommunication equipment and PDA palm tops.
- Operating Temperature:** -30°C to +100°C
- Inductance Tolerance:** $\pm 20\%$
- Testing:** Inductance is tested on an HP4285A at 100kHz
- Packaging:** Tape & Reel
- Marking:** Inductance code
- Miscellaneous:** RoHS Compliant
- Additional Information:** Additional electrical & physical information available upon request
- Samples available. See website for ordering information**

PAD LAYOUT

