

High Current Chokes



This series is obsolete.

Special Features

- Very high current capacity
- Low DCR
- Ferrite core
- VW-1 rated shrink tubing to cover winding
- Fixed lead spacing
- Operating temperature: -55 to +105 °C

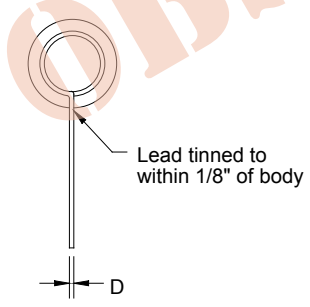
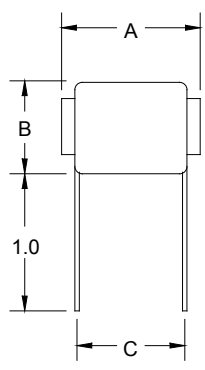
Notes

* Current to cause 5 % max. inductance drop or 35 °C max. temperature rise

† RoHS Directive 2002/95/EC Jan 27 2003 including Annex.

5500 Series							
Part Number	L (μH) ±20 % @ 1 KHz	DCR Ω Max.	I, DC* (A)	Dim. A Max.	Dim. B Max.	Dim. C ±.06	Dim. D ±.005
5501-RC	5	0.013	10	0.88	0.63	0.50	0.042
5502-RC	10	0.017	9	1.12	0.63	0.69	0.042
5503-RC	27	0.030	7	0.88	0.81	0.44	0.042
5504-RC	50	0.045	5.6	0.88	0.81	0.75	0.042
5505-RC	100	0.061	4.9	1.12	0.81	0.94	0.042
5506-RC	150	0.069	4.6	1.38	0.81	1.06	0.042
5507-RC	250	0.089	4	1.62	0.81	1.31	0.042
5508-RC	5	0.009	14	0.88	0.64	0.75	0.053
5509-RC	10	0.012	12	1.12	0.64	1.00	0.053
5510-RC	27	0.022	9	0.88	0.88	0.56	0.053
5511-RC	50	0.028	8	1.12	0.88	0.75	0.053
5512-RC	68	0.034	7.3	1.12	0.88	0.88	0.053
5513-RC	100	0.038	6.8	1.38	0.88	1.00	0.053
5514-RC	150	0.046	6.3	1.62	0.88	1.25	0.053
5515-RC	5	0.006	19	1.12	0.69	0.81	0.065
5516-RC	10	0.008	16	1.38	0.69	1.22	0.065
5517-RC	27	0.014	12.5	1.12	0.94	0.69	0.065
5518-RC	50	0.020	10.5	1.38	0.94	0.94	0.065
5519-RC	68	0.023	10	1.38	0.94	1.12	0.065
5520-RC	100	0.027	10	1.62	0.94	1.31	0.065
5521-RC	5	0.004	23	1.38	0.72	0.94	0.082
5522-RC	10	0.006	20	1.69	0.72	1.50	0.082
5523-RC	27	0.010	15	1.38	1.00	0.94	0.082
5524-RC	50	0.013	15	1.62	1.00	1.12	0.082

“-RC” suffix indicates RoHS compliance.



Dimensions: Inches