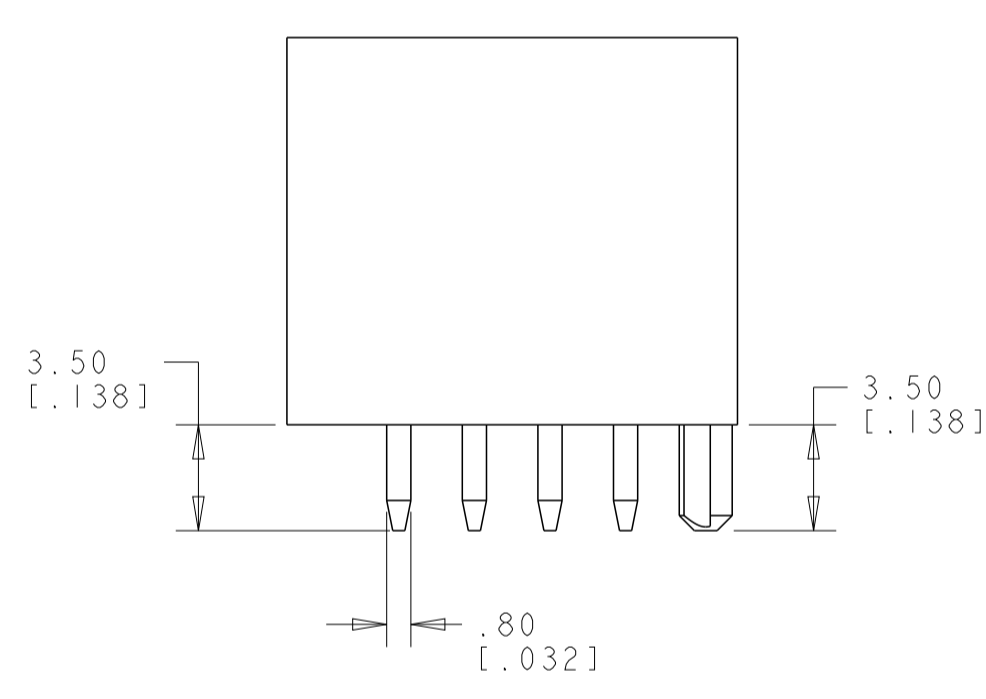
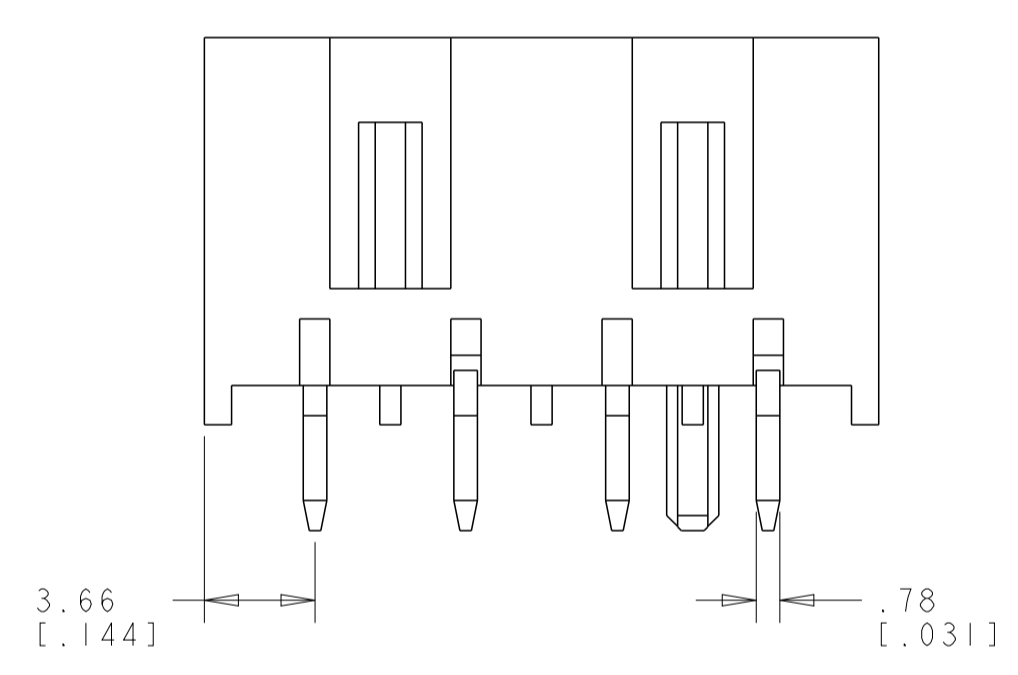
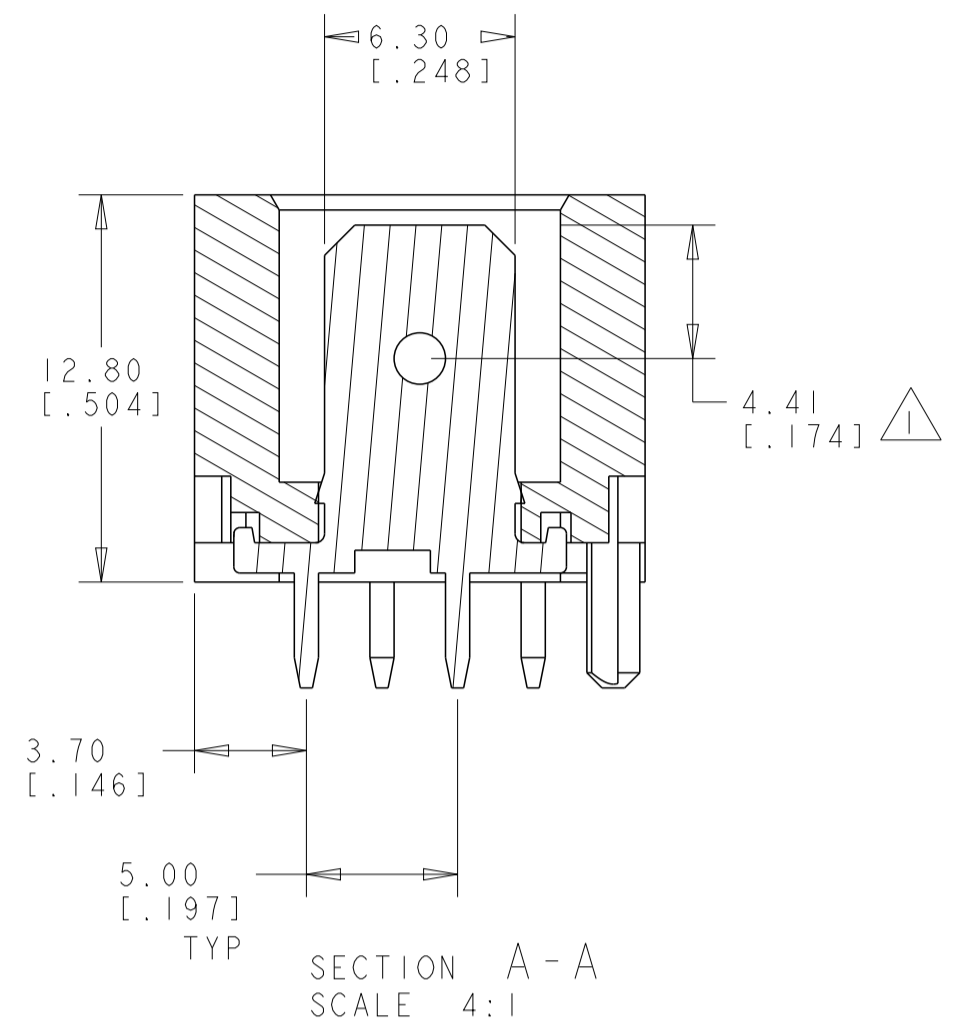
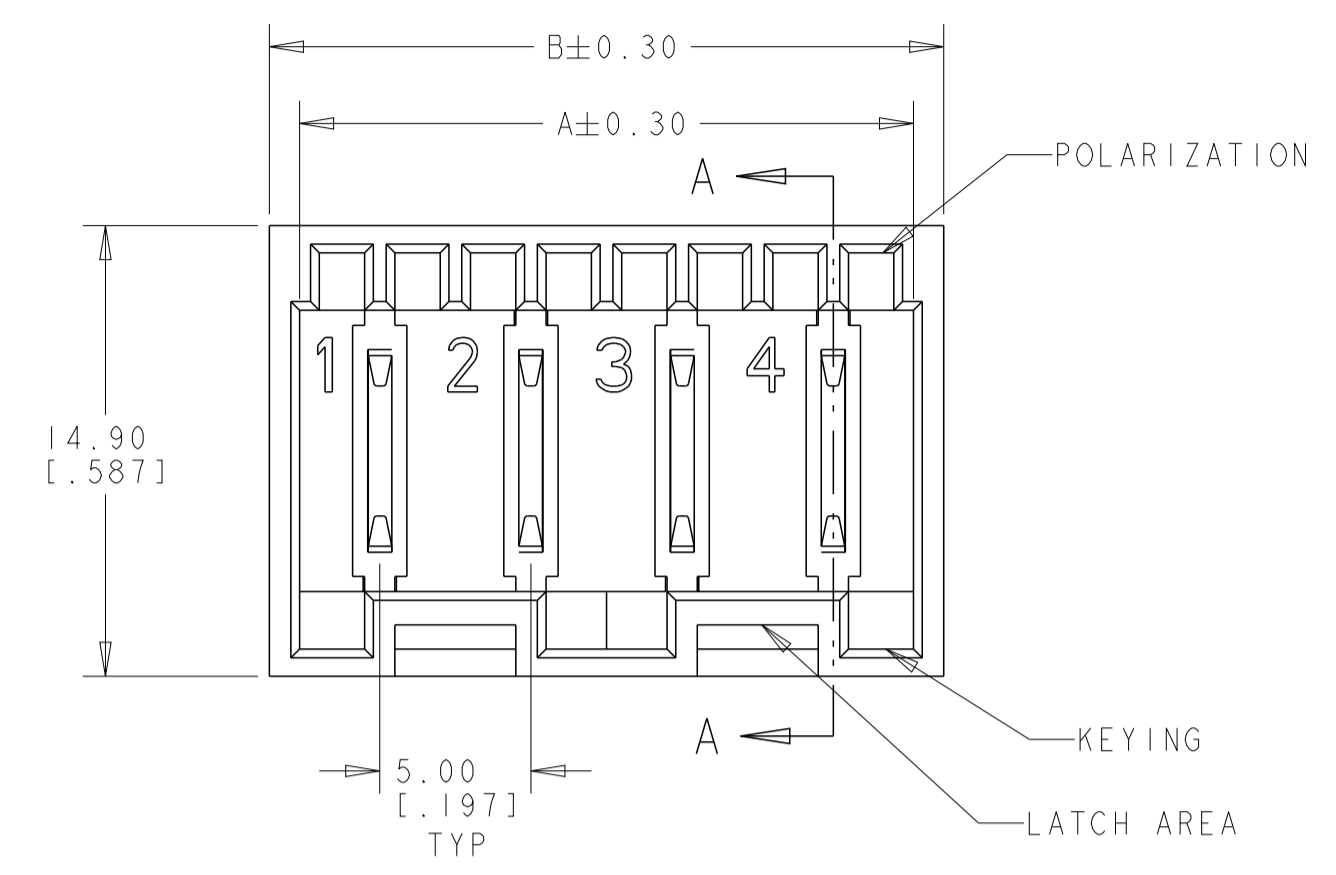
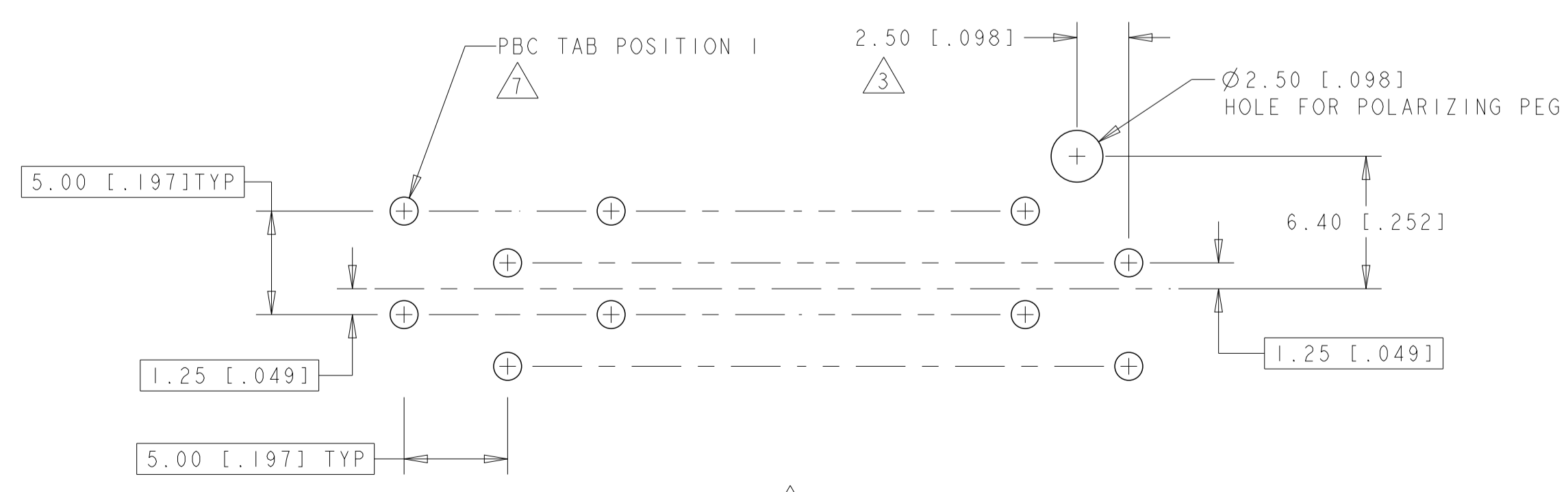


LOC	DIST	REVISIONS			
P	LTN	DESCRIPTION	DATE	DMN	APVD
J7		REVISED PER ECR-12-017475	10OCT2012	C. J.	R. P.



- 1 HOUSING HAS RAST 5 COMPLIANT KEYING, LATCHING, AND POLARIZATION. TAB IS 6.3 x 0.8 [.248 x .032], ACCORDING TO DIN 46244.
- 2 POSSIBLE MATING CONNECTOR FAMILIES INCLUDE STANDARD TIMER RAST 5, MULTIFITTING, MULTIFITTING MKII, AND MONO-SHAPE TAB CONNECTORS.
- 3 DIMENSION OFF OF LAST POSITION REGARDLESS OF EVEN OR ODD POSITION CONNECTOR.
- 4 MATERIAL: HOUSING, NYLON 66, UL 94V-0. CONTACT, BRASS, 0.8 mm THICK.
- 5 FINISH: CONTACTS, 2µm MIN SILVER OVER 1.3µm MIN NICKEL.
- 6 FINISH: CONTACTS, 3.8µm MIN TIN OVER 1.3µm MIN NICKEL.
- 7 PCB TABS INSERTED IN A STAGGERED PATTERN BEGINNING WITH POSITION 1.
- 8 SELECTED HOLES MAY BE 1.05+0.05/-0.00 DIA [.041+.002/-0.001 DIA] FOR IMPROVED (PRESS-FIT) RETENTION TO P.C.B. PRIOR TO SOLDERING.
- 9 PRELIMINARY - NOT FOR PRODUCTION.
- 10 PREPRODUCTION - FASR REQUIRED

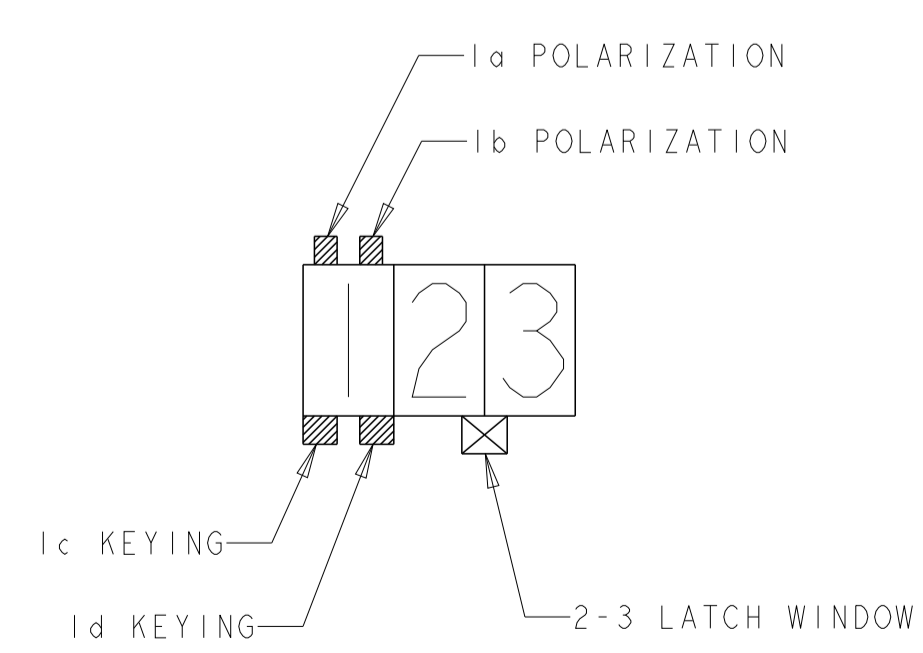
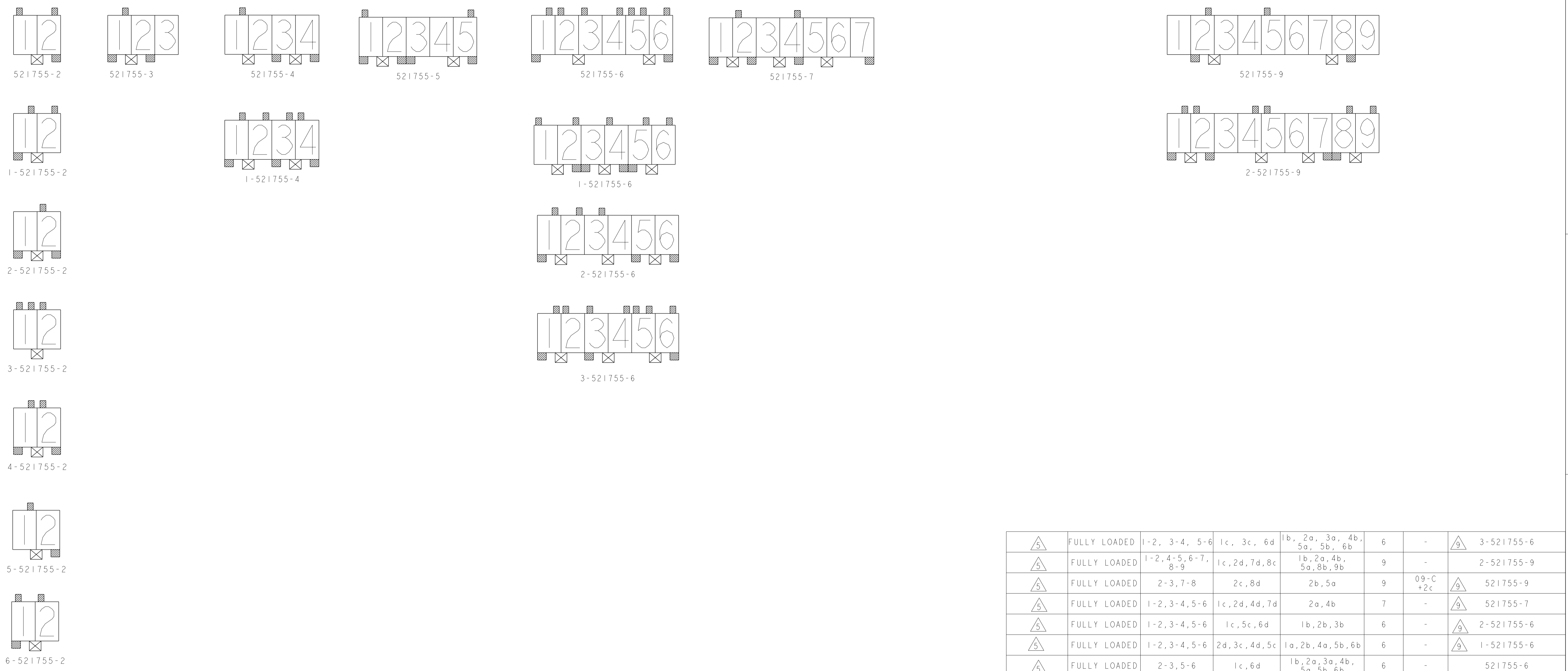


PCB LAYOUT - COMPONENT SIDE
 PCB 1.5±0.2 [.059±.007] THICK
 SCALE 4:1

47.3	45.3	9
42.3	40.3	8
37.3	35.3	7
32.3	30.3	6
27.3	25.3	5
22.3	20.3	4
17.3	15.3	3
12.3	10.3	2
B	A	NO. OF POS.

<small>THIS DRAWING IS UNPUBLISHED. RELEASED FOR PUBLICATION 20</small> <small>THIS DRAWING IS UNPUBLISHED. RELEASED FOR PUBLICATION 20</small>		DWN R FLAIG 02SEP2004 CHK R LONDON 02SEP2004 APVD R LONDON 02SEP2004	Tyco Electronics Harrisburg, PA 17105-3608
DIMENSIONS: mm [INCHES]	TOLERANCES UNLESS OTHERWISE SPECIFIED: 0 PLC ± 1 PLC ± 2 PLC ±0.25(.010) 3 PLC ± 4 PLC ± ANGLES ±2° FINISH SEE TABLE	NAME ASSEMBLY, DIN, RAST 5, SPECIAL VERSION, VERTICAL PRODUCT SPEC 108-2183 APPLICATION SPEC	SIZE A1 CAGE CODE 00779 DRAWING NO. 521755 RESTRICTED TO
MATERIAL: 4		WEIGHT: - CUSTOMER DRAWING	SCALE 4:1 SHEET 1 OF 2 REV J7

LOC	DIST	REVISIONS			
P	LTN	DESCRIPTION	DATE	DWN	APVD
AF	50	SEE SHEET 1	-	-	-



PICTORIAL VIEW KEY

△5	FULLY LOADED	1-2, 3-4, 5-6	1c, 3c, 6d	1b, 2a, 3a, 4b, 5a, 5b, 6b	6	-	△9	3-521755-6
△5	FULLY LOADED	1-2, 4-5, 6-7, 8-9	1c, 2d, 7d, 8c	1b, 2a, 4b, 5a, 8b, 9b	9	-		2-521755-9
△5	FULLY LOADED	2-3, 7-8	2c, 8d	2b, 5a	9	09-C +2c	△9	521755-9
△5	FULLY LOADED	1-2, 3-4, 5-6	1c, 2d, 4d, 7d	2a, 4b	7	-	△9	521755-7
△5	FULLY LOADED	1-2, 3-4, 5-6	1c, 5c, 6d	1b, 2b, 3b	6	-	△9	2-521755-6
△5	FULLY LOADED	1-2, 3-4, 5-6	2d, 3c, 4d, 5c	1a, 2b, 4a, 5b, 6b	6	-	△9	1-521755-6
△5	FULLY LOADED	2-3, 5-6	1c, 6d	1b, 2a, 3a, 4b, 5a, 5b, 6b	6	-		521755-6
△5	FULLY LOADED	1-2, 4-5	1c, 2d, 3c, 5d	1a, 5b	5	-	△9	521755-5
△5	FULLY LOADED	1-2, 3-4	1c, 3, 4d	1b, 2b, 3b, 4a	4	-	△9	1-521755-4
△5	FULLY LOADED	1-2, 3-4	3c, 4d	1b	4	04-A		521755-4
△5	FULLY LOADED	1-2	1c, 2d	1b	3	03-A		521755-3
△5	FULLY LOADED	1-2	1c	1a, 2a	2	02-K		6-521755-2
△5	FULLY LOADED	1-2	2d	1b	2	-		5-521755-2
△5	FULLY LOADED	1-2	1c, 2d	1b, 2a	2	02-A		4-521755-2
△5	FULLY LOADED	1-2	-	1a, 1b, 2a	2	-		3-521755-2
△5	FULLY LOADED	1-2	1c, 2d	2a	2	02-C		2-521755-2
△5	FULLY LOADED	1-2	1c	1b, 2b	2	02-I		1-521755-2
△5	FULLY LOADED	1-2	2d	1a, 2b	2	02-E		521755-2
FINISH	LOADED TAB POSITIONS	LATCH WINDOWS	KEYING	POLAR.	NO. OF POS.	RAST 5 DESIG.		PART NUMBER

THIS DRAWING IS UNPUBLISHED. RELEASED FOR PUBLICATION BY TYCO ELECTRONICS CORPORATION. ALL RIGHTS RESERVED.

DIMENSIONS: mm [INCHES]
 TOLERANCES UNLESS OTHERWISE SPECIFIED:
 0 PLC ±
 1 PLC ±0.251 (010)
 3 PLC ±
 4 PLC ±
 ANGLES ±2°
 MATERIAL: SEE TABLE
 FINISH: SEE TABLE

DWN: R FLAIG 02SEP2004
 CHK: R LONDON 02SEP2004
 APVD: R LONDON 02SEP2004
 PRODUCT SPEC: 108-2183
 APPLICATION SPEC:

NAME: ASSEMBLY, DIN, RAST 5, SPECIAL VERSION, VERTICAL
 SIZE: A1
 CAGE CODE: 00779
 DRAWING NO: 521755
 SHEET 2 OF 2
 SCALE: 4:1
 REV: J7

Tyco Electronics
 Harrisburg, PA 17105-3608

CUSTOMER DRAWING