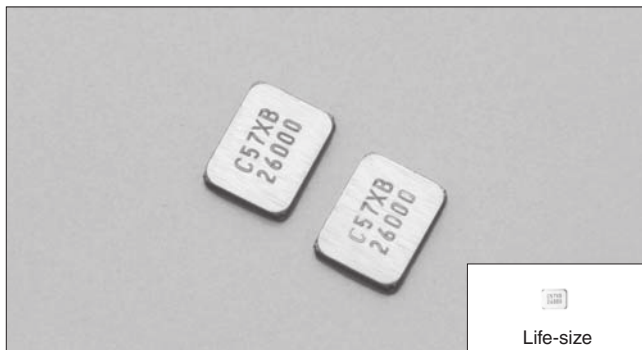


AT-CUT CRYSTAL UNIT (SMD • Ceramic Package)

CS325

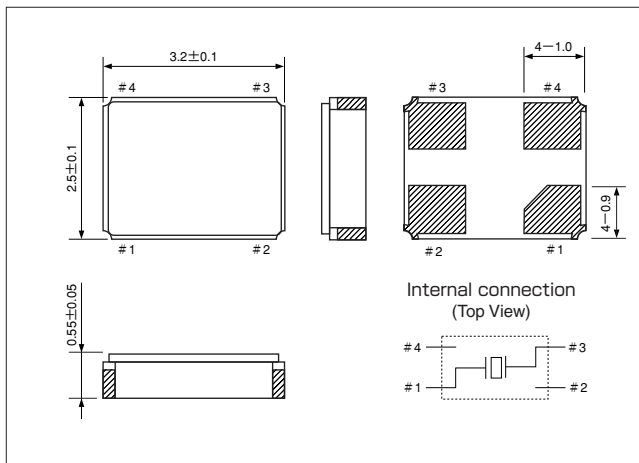
3000pcs/reel



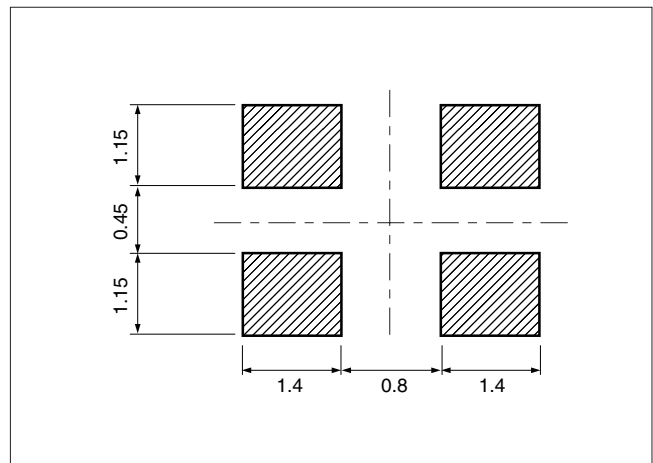
FEATURES

- High-density SMD type.
- Reliable ceramic package and excellent environmental characteristics.
- Suitable for various applications such as communication devices, AV devices and other equipment.
- Complete Pb free product.

DIMENSION [mm]



SOLDER PAD LAYOUT [mm]



STANDARD SPECIFICATIONS

Item	Model	CS325	Conditions
Nominal Frequency	f_0	12.0MHz~54.0MHz (Fundamental)	Need to contact us for the available frequency
Frequency Tolerance	$\Delta f/f_0$	± 30 ppm	at 25°C
Frequency Tolerance over Operating Temperature Range	$\Delta f/f_0$	± 30 ppm	-10°C ~ +60°C
Operating Temperature Range	T_{OPR}	-40°C ~ +85°C	
Storage Temperature Range	T_{STR}	-55°C ~ +125°C	
Motional (series) resistance	R_1	Refer to the following table	at 25°C
Load capacitance	C_L	16.0pF, 18.0pF	Need to specify your requirement
Shunt capacitance	C_0	5.0pF Max.	
Level of drive	D_L	10 μ W (100 μ W Max.)	
Insulation Resistance	I_R	500M Ω Min.	DC100V \pm 15V
Aging (first year)	$\Delta f/f_0$	± 5 ppm Max.	25°C \pm 3°C

MOTIONAL (SERIES) RESISTANCE (R_1)

Frequency Range	12.0MHz $\leq f_0 < 16.0$ MHz	16.0MHz $\leq f_0 < 20.0$ MHz	20.0MHz $\leq f_0 < 30.0$ MHz	30.0MHz $\leq f_0 < 54.0$ MHz
ESR	150 Ω Max.	120 Ω Max.	80 Ω Max.	50 Ω Max.