

SEK-18 SV MA STD STR45PR-IN 40P AUS4



Image is for illustration purposes only. Please refer to product description.

| | |
|--------------------|---|
| Part number | 09 18 540 5929 |
| Specification | SEK-18 SV MA STD STR45PR-IN 40P AUS4 |
| HARTING eCatalogue | https://b2b.harting.com/09185405929 |

Identification

| | |
|----------------------------|----------------|
| Category | Connectors |
| Series | SEK Standard |
| Element | Male connector |
| Description of the contact | Straight |

Version

| | |
|--------------------|----------------------|
| Termination method | Press-in termination |
| Connection type | PCB to cable |
| Number of contacts | 40 |
| Termination length | 4.5 mm |

Technical characteristics

| | |
|------------------------------------|--------------------------------------|
| Contact rows | 2 |
| Contact spacing (termination side) | 2.54 mm |
| Rated current | 1 A |
| Insulation resistance | $>10^9 \Omega$ |
| Contact resistance | $\leq 20 \text{ m}\Omega$ |
| Limiting temperature | -55 ... +105 °C |
| Insertion and withdrawal force | $\leq 80 \text{ N}$ |
| Performance level | NM 30 (S4) |
| Mating cycles | ≥ 250 |
| Test voltage $U_{r.m.s.}$ | 1 kV |
| Isolation group | IIIa ($175 \leq \text{CTI} < 400$) |



Pushing Performance
Since 1945

Technical characteristics

| | |
|---------------|---------|
| PCB thickness | ≥1.6 mm |
|---------------|---------|

Material properties

| | |
|---|--|
| Material (insert) | Thermoplastic resin (PBT) |
| Colour (insert) | Grey |
| Material (contacts) | Copper alloy |
| Surface (contacts) | Noble metal over Ni Mating side Ni Termination side |
| Layer thickness | ≥0.76 µm |
| Layer thickness | ≥30 µinch |
| Material flammability class acc. to UL 94 | V-0 |
| RoHS | compliant with exemption |
| RoHS exemptions | 6(c): Copper alloy containing up to 4 % lead by weight |
| ELV status | compliant with exemption |
| China RoHS | 50 |
| REACH Annex XVII substances | Not contained |
| REACH ANNEX XIV substances | Not contained |
| REACH SVHC substances | Yes |
| REACH SVHC substances | Lead |
| California Proposition 65 substances | Yes |
| California Proposition 65 substances | Lead Nickel |
| Requirement set with Hazard Levels | R26 |

Specifications and approvals

| | |
|------------------------|--|
| Specifications | IEC 60603-13 |
| UL / CSA | UL 1977 ECBT2.E102079 CSA-C22.2 No. 182.3 ECBT8.E102079 |
| Railway classification | F3/I3 |

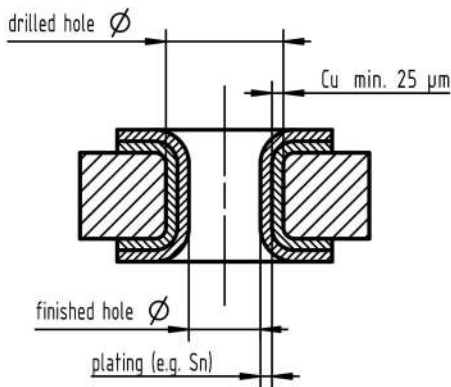
Commercial data

| | |
|--------------------------------|----------|
| Packaging size | 15 |
| Net weight | 14.87 g |
| Country of origin | Czechia |
| European customs tariff number | 85366990 |

Commercial data

| | |
|--------|--|
| GTIN | 5713140033139 |
| eCl@ss | 27460201 PCB connector (board connector) |

Recommended configuration of plated through holes



| | | |
|--|---------------------|---------------------------|
| Tin plated PCB (HAL) acc. to EN 60352-5 | Drilled hole ϕ | 1,15-0,03 mm |
| | Cu | min. 25 μm |
| | Sn | max. 15 μm |
| | plated hole ϕ | 0,94 - 1,09 mm |
| Chemical tin plated PCB | Drilled hole ϕ | 1,15-0,03 mm |
| | Cu | min. 25 μm |
| | Sn | min. 0,8 μm |
| | plated hole ϕ | 1,00 - 1,10 mm |
| Gold /Nickel plated PCB | Drilled hole ϕ | 1,15-0,03 mm |
| | Cu | min. 25 μm |
| | Ni | 3 - 7 μm |
| | Au | 0,05 - 0,12 μm |
| | plated hole ϕ | 1,00 - 1,10 mm |
| Silver plated PCB | Drilled hole ϕ | 1,15-0,03 mm |
| | Cu | min. 25 μm |
| | Ag | 0,1 - 0,3 μm |
| | plated hole ϕ | 1,00 - 1,10 mm |
| Copper plated PCB (OSP) | Drilled hole ϕ | 1,15-0,03 mm |
| | Cu | min. 25 μm |
| | plated hole ϕ | 1,00 - 1,10 mm |

In addition to the hot-air-level (HAL) other pcb surfaces are getting more important. Due to their different properties, such as mechanical strength and coefficient of friction we recommend the above mentioned configuration of pcb through holes.