

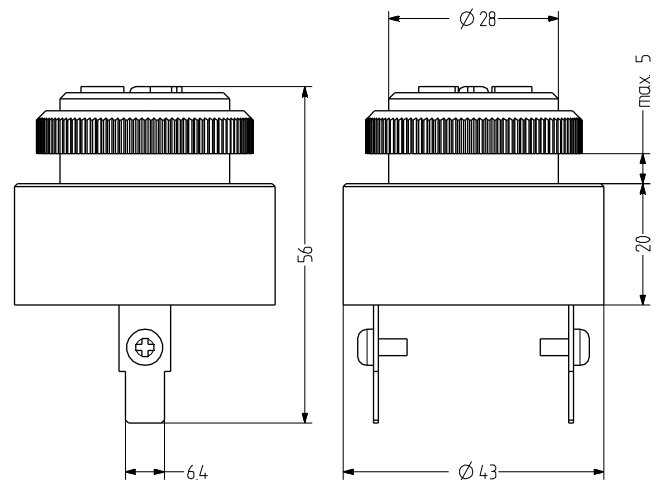
# BU3 Panel mount buzzer

- Ø 35 mm (mounting nut) panel-mount buzzer
- Max. 90 dB (A) sound pressure
- Connection via tabs
- Panel size Ø 28 mm/M28
- Pulsing tone
- Sound pressure can be reduced by ~10 dB via turning window
- For universal applications
- Sealed electronics, low current consumption



## TECHNICAL DATA

Housing	ABS black
Panel size	28 mm (M28)
Connection technology	Connector with screw
Tone	Pulsing tone
Volume	80-90 dB (can be adjusted with turning window)
Tone frequency	2.500-3.500 Hz
Duty cycle	100 %
Operating temperature	-20 °C / +70 °C
Degree of protection	IP54
Weight	35 g



# BU3

## ORDER DATA

Nominal voltage	Voltage range (V)	Nominal current (A)	Order number
220 V AC	180-240	0,020	B100 520 313