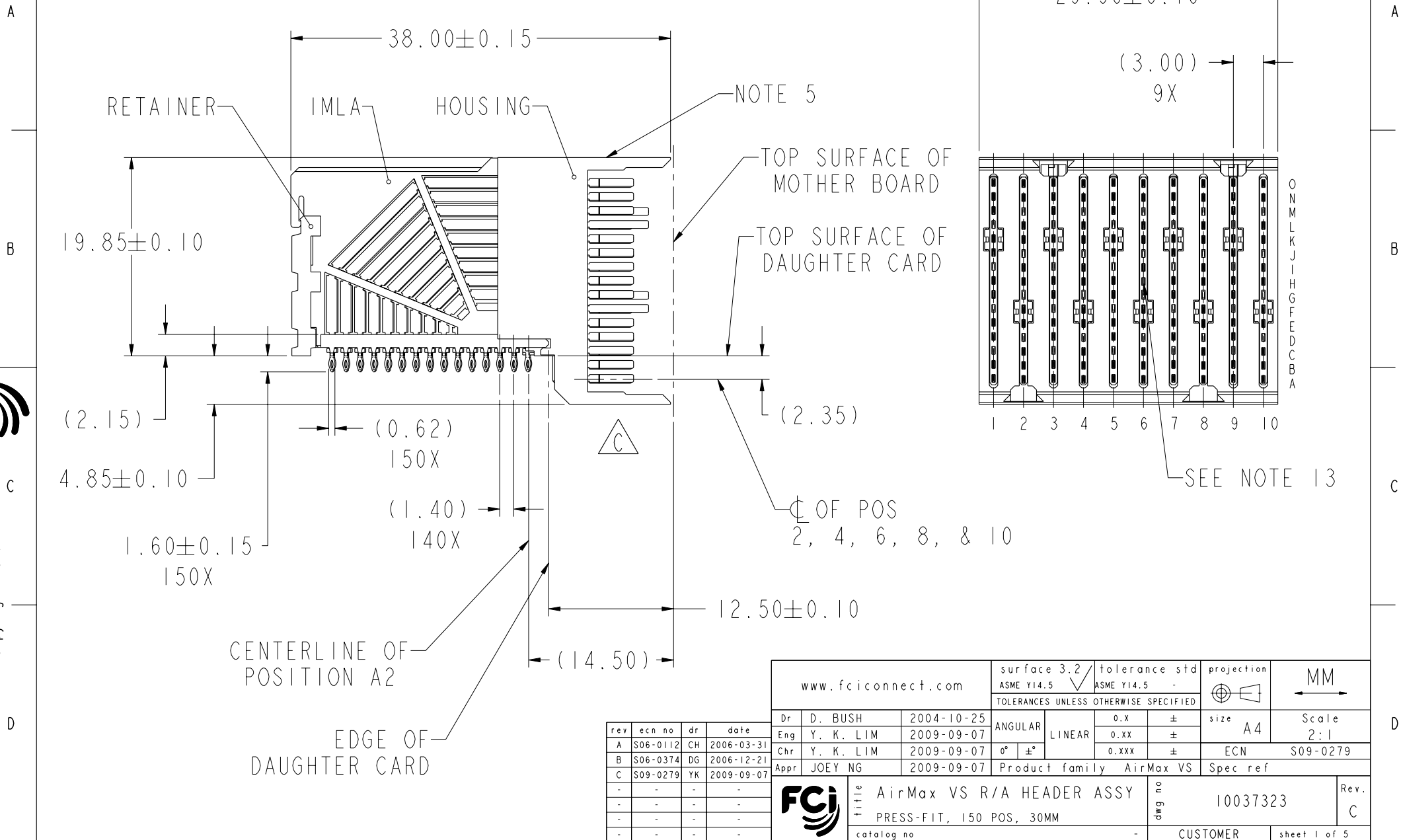


Product number
SEE TABLE, SHEET 5



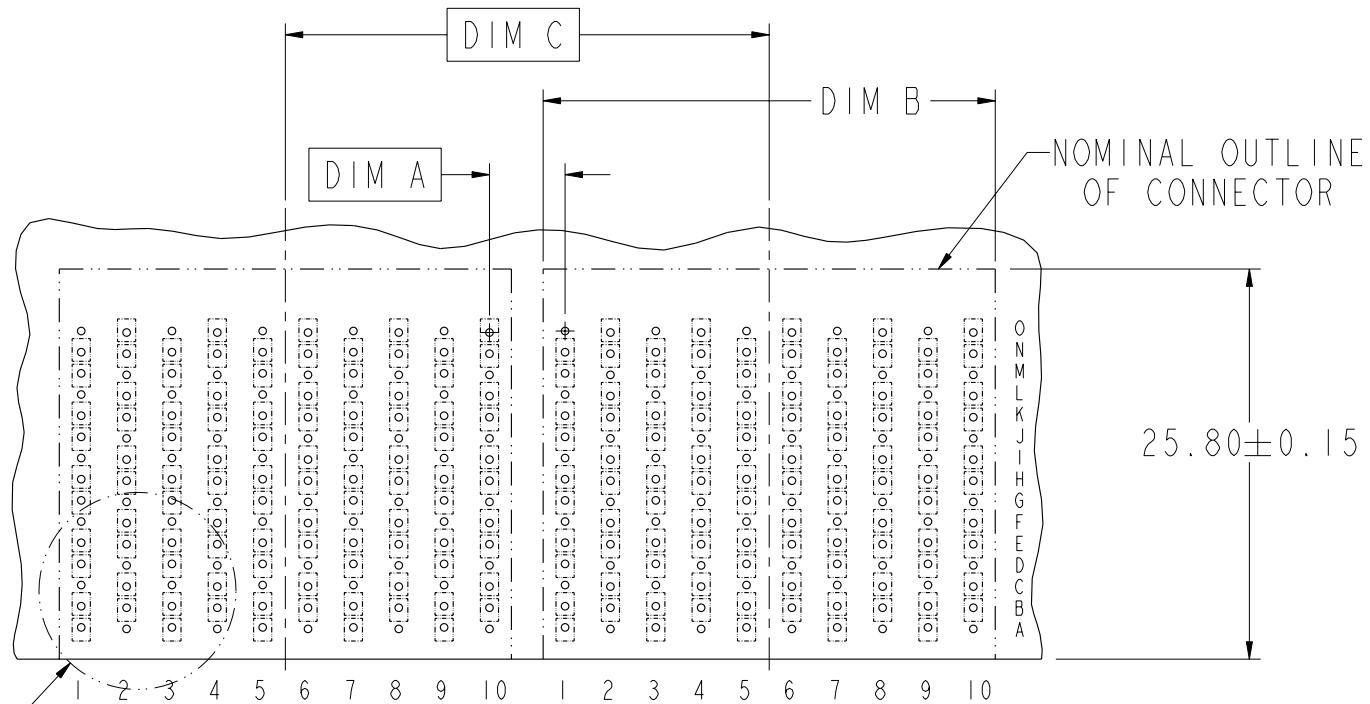
Copyright FCI.

rev	ecn no	dr	date
A	S06-0112	CH	2006-03-31
B	S06-0374	DG	2006-12-21
C	S09-0279	YK	2009-09-07
-	-	-	-
-	-	-	-
-	-	-	-
-	-	-	-

www.fciconnect.com		surface 3.2 ASME Y14.5	tolerance std ASME Y14.5	projection MM
		TOLERANCES UNLESS OTHERWISE SPECIFIED		
Dr	D. BUSH	2004-10-25	ANGULAR	0.X ±
Eng	Y. K. LIM	2009-09-07	LINEAR	0.XX ±
Chr	Y. K. LIM	2009-09-07	0° ±°	0.XXX ±
Appr	JOEY NG	2009-09-07	Product family AirMax VS	
			size	A4
			Scale	2:1
			ECN	S09-0279
			Spec ref	
FCI			AirMax VS R/A HEADER ASSY	
			PRESS-FIT, 150 POS, 30MM	
catalog no			-	CUSTOMER
dwg no			10037323	Rev. C
			sheet 1 of 5	

REV F - 2006-04-17

DESCRIPTION	DIM A	DIM B	DIM C
2-30MM MODULES PLACED END-TO-END	3.00	29.90 2X	30.00
1-30MM MODULE & 1-32MM MODULE PLACED END-TO-END	4.00	29.90 1X & 31.90 1X	31.00



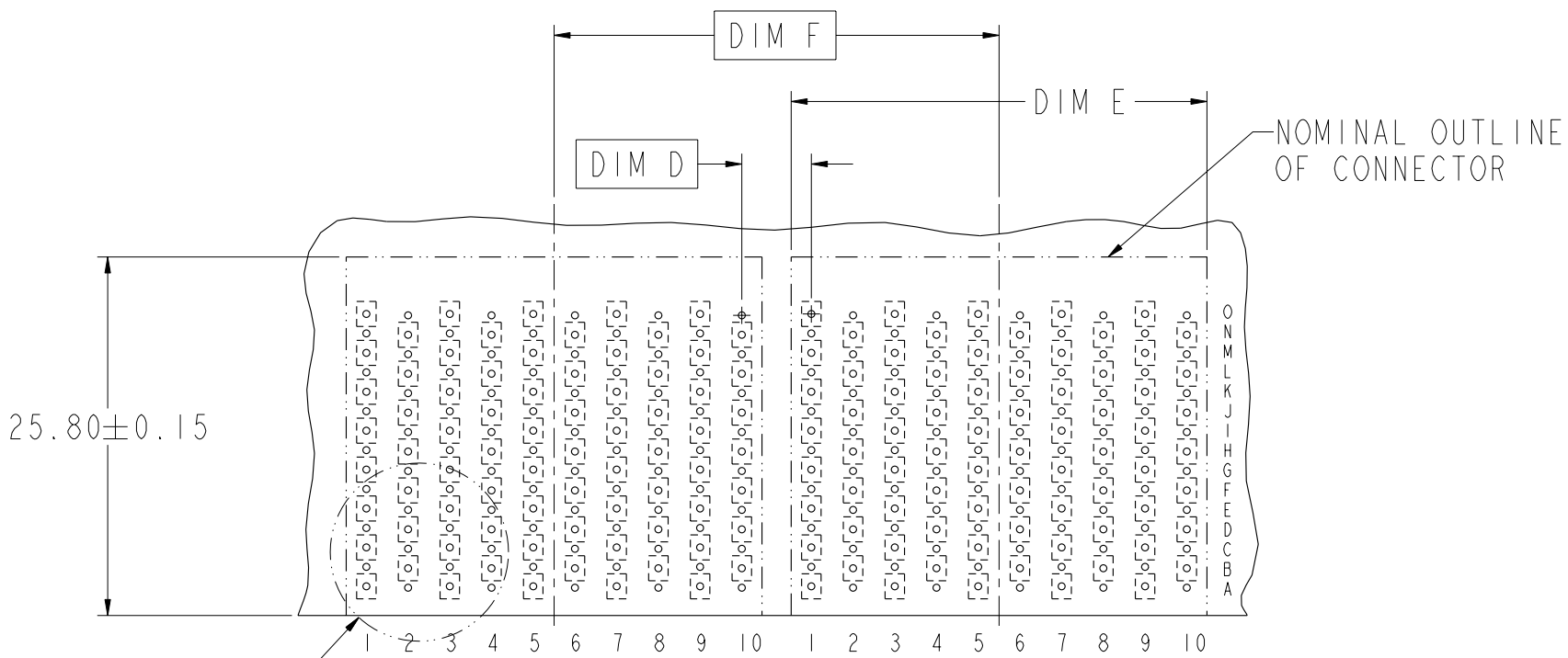
RECOMMENDED PCB LAYOUT
FOR DIFFERENTIAL APPLICATIONS
COMPONENT SIDE
(TWO ADJACENT FOOTPRINTS SHOWN)
NOTES 6 & 7

FCI	TITLE AirMax VS R/A HEADER ASSY		dwg no 10037323	Rev. C
	PRESS-FIT, 150 POS, 30MM			
catalog no		-	CUSTOMER	sheet 2 of 5



Copyright FCI.

DESCRIPTION	DIM D	DIM E	DIM F
2-30MM MODULES PLACED END-TO-END	3.00	29.90 2X	30.00
1-30MM MODULE & 1-32MM MODULE PLACED END-TO-END	4.00	29.90 1X & 31.90 1X	31.00



DETAIL B

RECOMMENDED PCB LAYOUT
FOR SINGLE ENDED APPLICATIONS
COMPONENT SIDE
(TWO ADJACENT FOOTPRINTS SHOWN)
NOTES 6 & 7



Title	AirMax VS R/A HEADER ASSY		dwg no	10037323	Rev.	C
	PRESS-FIT, 150 POS, 30MM					
catalog no	-	CUSTOMER	sheet 3 of 5			

REV F - 2006-04-17

PDM: Rev:C

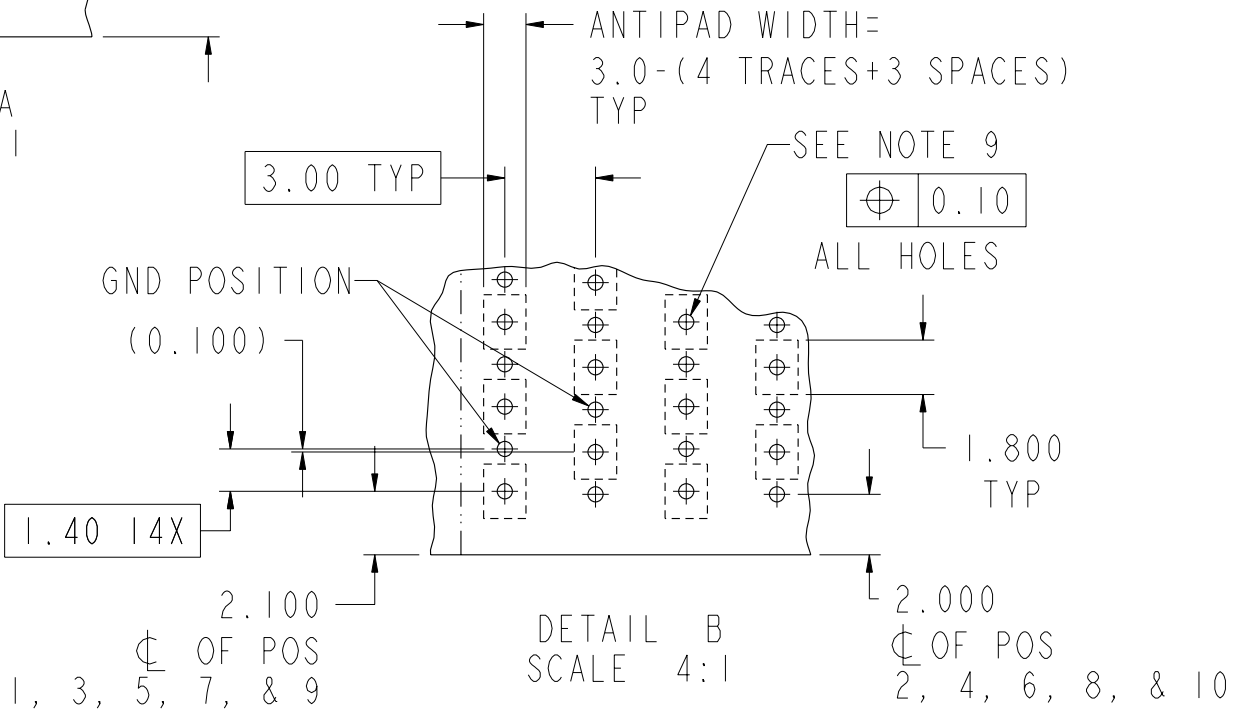
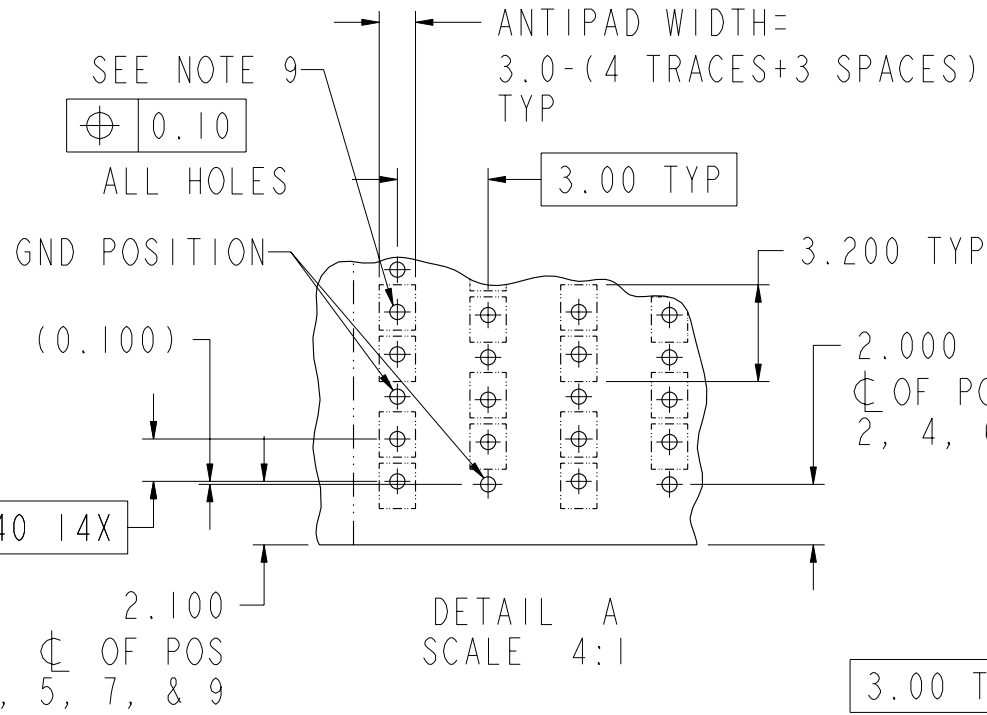
STATUS: Released

Printed: Dec 01, 2010



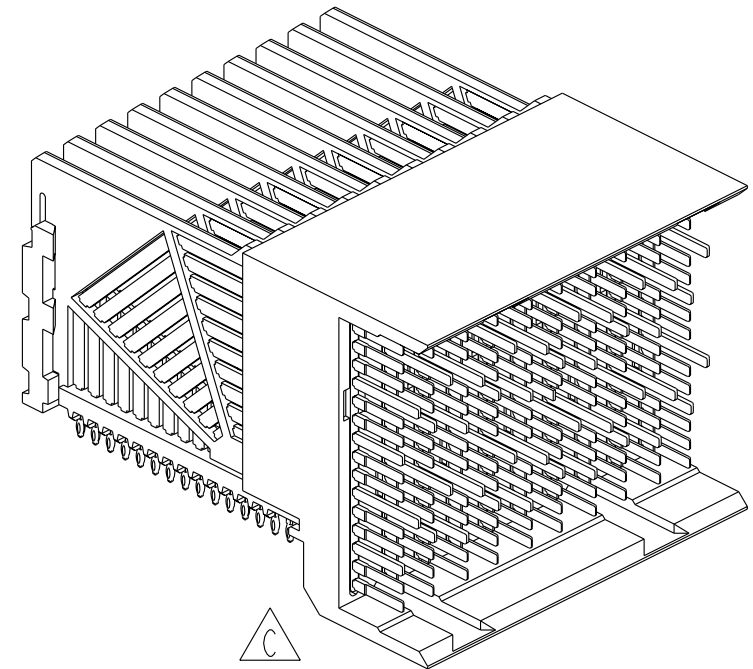
Copyright FCI.

REV F - 2006-04-17




title AirMax VS R/A HEADER ASSY PRESS-FIT, 150 POS, 30MM catalog no	dwg no 10037323	Rev.
		C
CUSTOMER		sheet 4 of 5

PART NUMBER	PRESS-FIT TAIL PLATING TYPE	SHORT DETECT CONTACT
10037323-101	TIN/LEAD ALLOY OVER NICKEL	NO
10037323-101LF	TIN OVER NICKEL (LEAD FREE)	
10037323-111	TIN/LEAD ALLOY OVER NICKEL	YES (SEE NOTE 13)
10037323-111LF	TIN OVER NICKEL (LEAD FREE)	




NOTES:

1. CONNECTOR MATERIALS:
HOUSING & RETAINER: HIGH TEMP THERMOPLASTIC, NATURAL, UL94V-0
IMLA PLASTIC: HIGH TEMP THERMOPLASTIC, BLACK, UL94V-0
CONTACT: COPPER ALLOY
2. CONTACT PLATING:
SEPARABLE INTERFACE:
PERFORMANCE-BASED PLATING, QUALIFIED TO MEET THE REQUIREMENTS OF FCI PRODUCT SPECIFICATION GS-12-239 INCLUDING TELCORDIA GR-1217-CORE (NOVEMBER 1995) CENTRAL OFFICE TEST SEQUENCE

PRESS-FIT TAILS: SEE TABLE
3. PRODUCT SPECIFICATION: GS-12-239
4. APPLICATION SPECIFICATION: GS-20-035
5. PRODUCT MARKING, (PART NUMBER & LOT CODE), ON THIS SURFACE
6. REFER TO CUSTOMER DRAWING 10035911 FOR INFORMATION REGARDING PCB LAYOUT OF POWER AND GUIDE MODULES RELATIVE TO SIGNAL MODULES
7. POSITIONS F AND L OF ODD NUMBERED COLUMNS AND POSITIONS G AND M OF EVEN NUMBERED COLUMNS CORRESPOND TO EARLY MATE HEADER PINS
8. THERE IS NO GROUND BUSSING WITHIN THE CONNECTOR SYSTEM
9. REFER TO CUSTOMER DRAWING 10045979 FOR INFORMATION ON PCB HOLE DIAMETERS AND PLATING OPTIONS.
10. LEAD FREE PRODUCT MEETS EUROPEAN UNION DIRECTIVES & OTHER COUNTRY REGULATIONS AS DESCRIBED IN GS-22-008.
11. THE HOUSING WILL WITHSTAND EXPOSURE TO 260°C PEAK TEMPERATURE FOR 40 SECONDS IN A CONVECTION, INFRA-RED OR VAPOR PHASE REFLOW OVEN.
12. PACKAGING MEETS GS-14-920 LEAD FREE LABELING SPECIFICATION.
13. MATING PIN H6 HAS 0.5mm LESS WIPE THAN THE SHORTEST SIGNAL PIN.
14. A  SYMBOL WILL BE NEXT TO ANY DIMENSION, VIEW, OR NOTE WHICH HAS BEEN MODIFIED WITH THE CURRENT DRAWING REVISION.



Copyright FCI.

	title AirMax VS R/A HEADER ASSY PRESS-FIT, 150 POS, 30MM	dwg no 10037323	Rev. C
	catalog no -	CUSTOMER	sheet 5 of 5