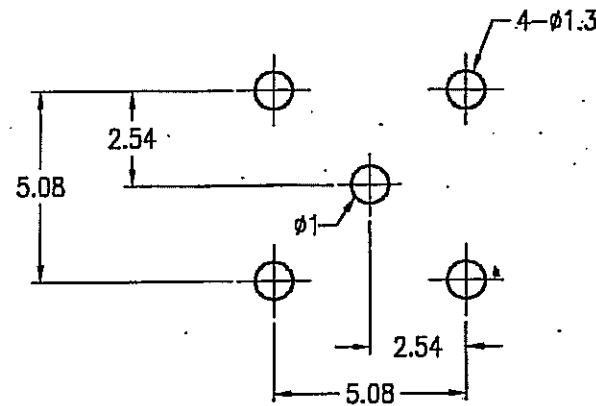
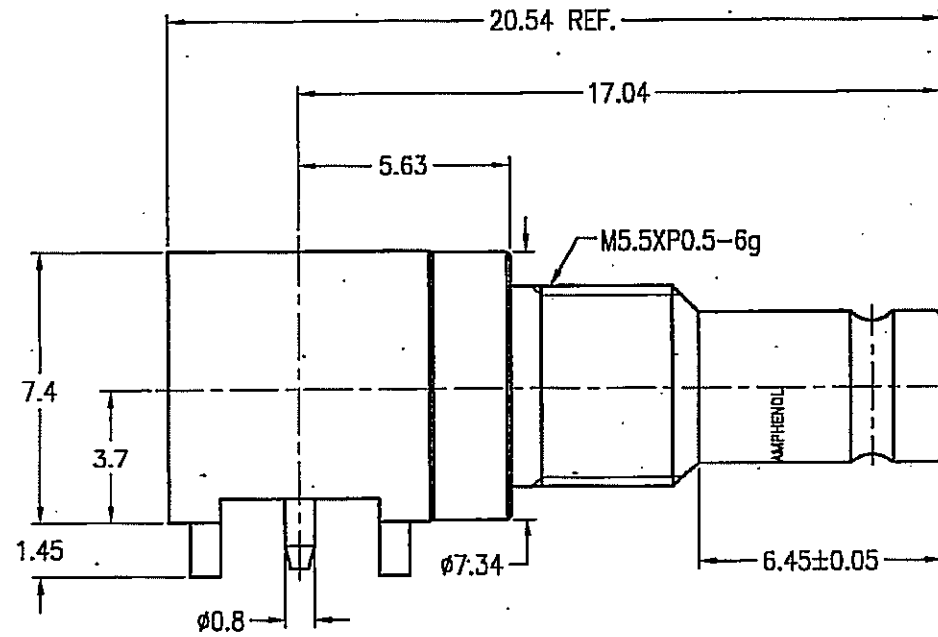
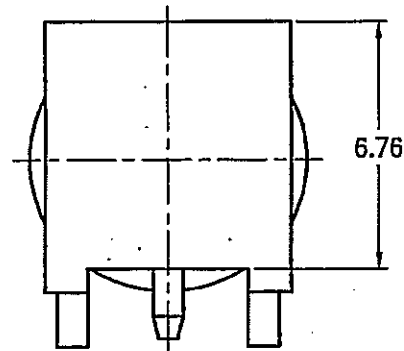


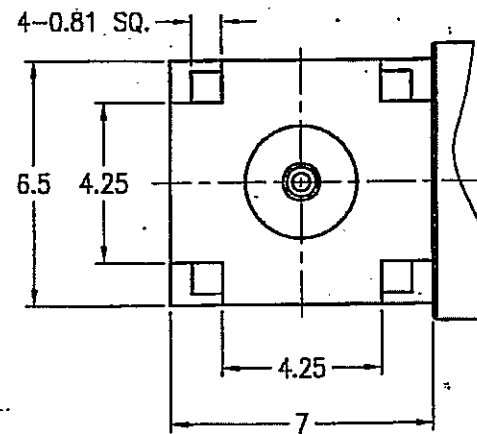
NOTES:

- MATERIALS AND FINISHES(PLATING THICKNESS IN MICRO-INCHES):  
 HOUSING - BRASS, GOLD PLATING  
 CONTACT - BERYLLIUM COPPER, GOLD PLATING  
 INSULATOR - PTFE
- ELECTRICAL:  
 A. IMPEDANCE: 50 OHM  
 D. DIELECTRIC WITHSTANDING VOLTAGE: 750 VRMS, MIN.

102-909-07		REVISIONS			
DRAWING NO.	REV	DESCRIPTION	DATE	ECO	APPR
THIRD ANGLE PROJ.	A	RELEASE TO MFG.	05-Aug-06	4/6/96	KL



PCB MOUNTING HOLE  
(印刷电路板架設孔)



**CUSTOMER OUTLINE DRAWING**  
ALL OTHER SHEETS ARE FOR INTERNAL USE ONLY

UNLESS OTHERWISE SPECIFIED, DIMENSIONS ARE IN METRIC AND TOLERANCES ARE:  
 0.5 - 6mm ±0.1mm    6 - 30mm ±0.2mm    30 - 120mm ± 0.3mm    ANGLES ±1°

NOTICE - These drawings, specifications, or other data (1) are, and remain the property of Amphenol Corp. (2) must be returned upon request; and (3) are confidential and not to be disclosed to any person other than those to whom they are given by Amphenol Corp. The furnishing of these drawings, specifications, or other data by Amphenol Corp., or to any other person to anyone for any purpose is not to be regarded by implication or otherwise in any manner licensing, granting rights or permitting such holder or any other person to manufacture, use or sell any product, process or design, patented or otherwise, that may in any way be related to or disclosed by said drawings, specifications, or other data.

MATERIAL	DRAWN KATE	DATE 05-Aug-06	TITLE 1.0/2.3 R/A PCB JACK	Amphenol RF Danbury CT USA, Tainan Taiwan, Shenzhen China www.amphenolrf.com	
REFERENCE	ENGINEER <i>[Signature]</i>	DATE 05-Aug-06	SCALE: 4/1	SHEET 1 OF 2	DRAWING NO. 102-909-07
FINISH	APPROVED <i>[Signature]</i>	DATE 8/8/06	DWG SIZE B	CODE ID 74868	REV A
	CAD FILE F:\DWG\CNPD\102\909\07SZ				ITEM NO. 102-909-07
					PART NO. 102-909-07