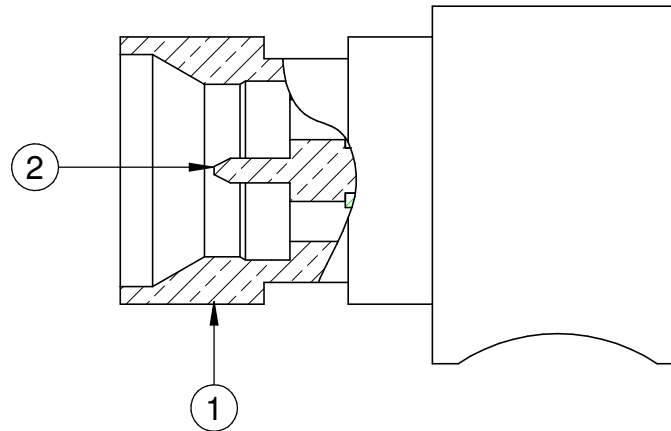
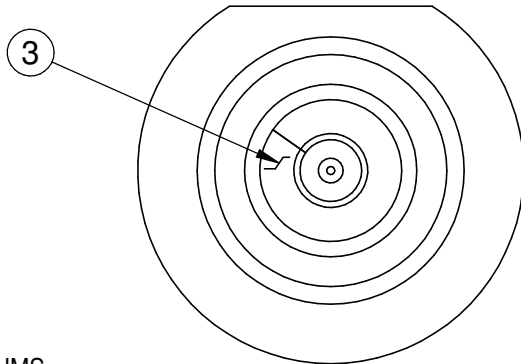


PART NUMBER	ITEM① BODY	ITEM ② CONTACT	ITEM③ INSULATOR	ITEM④ END CAP	REV	ECO	DATE
125-0593-101	BERYLLIUM COPPER GOLD PL .00005 MIN OVER NICKEL PL.00005 MIN OVER COPPER PL.00005 MIN	BERYLLIUM COPPER GOLD PL .00005 MIN OVER NICKEL PL.00005 MIN OVER COPPER PL.00005 MIN	TEFLON	BRASS GOLD PL .00001 MIN OVER NICKEL PL.00005 MIN OVER COPPER PL.00005 MIN	001	ECO-17-0028	2017/09/28



SPECIFICATION:

ELECTRICAL:

IMPEDANCE: 50 OHMS
 FREQUENCY RANGE: 0-20GHz
 VSWR: 1.10 MAX TO 10GHz, 1.25 MAX TO 20GHz
 INSERTION LOSS: 0.12 √F dB MAX (F IN GHz)
 DIELECTRIC WITHSTANDING VOLTAGE: 325 VRMS MIN AT SEA LEVEL
 INSULATION RESISTANCE: 5000 MEGOHM MIN
 CONTACT RESISTANCE:

CENTER CONTACT - INITIAL 6 MILLIOHM MAX, AFTER ENVIRONMENTAL NOT APPLICABLE
 OUTER CONDUCTOR - INITIAL 2 MILLIOHM MAX, AFTER ENVIRONMENTAL NOT APPLICABLE

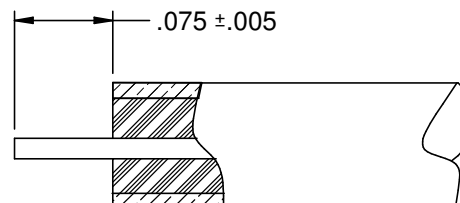
RF LEAKAGE: -80dB TYPICAL AT 3GHz

MECHANICAL:

ENGAGEMENT FORCE: 4.5LBS TYPICAL
 DISENGAGEMENT FORCE: 6.5LBS TYPICAL
 CONTACT RETENTION: 1.5 LBS MIN AXIAL FORCE
 DURABILITY: FD 100 CYCLES MIN; SB 500 CYCLES MIN

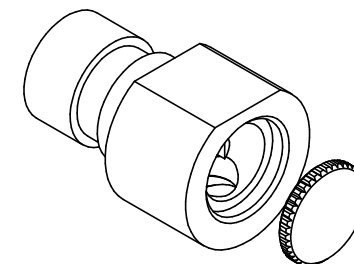
ENVIRONMENTAL:

OPERATING TEMPERATUR: -65 TO 165°C
 THERMAL SHOCK: MIL-STD-202, METHOD 107, CONDITION B
 MECHANICAL SHOCK: MIL-STD-202, METHOD 213, CONDITION I
 CORROSION: MIL-STD-202, METHOD 101
 VIBRATION: MIL-STD-202, METHOD 204
 MOISTURE RESISTANCE: MIL-STD-202, MEHTOD 106, EXCEPT STEP 7B



CABLE STRIP DIMENSION

10:1



5:1

<p>This PROPRIETARY Document is property of Cinch Connectivity Solutions. It is confidential in nature, non-transferable, and drawn with the clear understanding that it is not to be used or copied without permission and is returnable upon demand.</p> <p>INTERPRET DRAWING IN ACCORDANCE WITH ASME Y14.5-2009.</p>	Model No. 125-0593-101	JOHNSON		
	RoHS2 <input checked="" type="checkbox"/> 2011/65/EU	Cage Code	Title: SMPM MALE FULL DETENT SR .086" R/A	
	UNLESS OTHERWISE SPECIFIED: UNITS: INCH .XX ±.01 .XXX ±.003 .XXXX ±.0010 ANGLES ±1'00"	3RD ANGLE PROJECTION 	Drawing No. 125-0593-101	Rev. 1
	Date: 9/8/2016	Drawn by: R.SHEN	Size A	DO NOT SCALE DRAWING