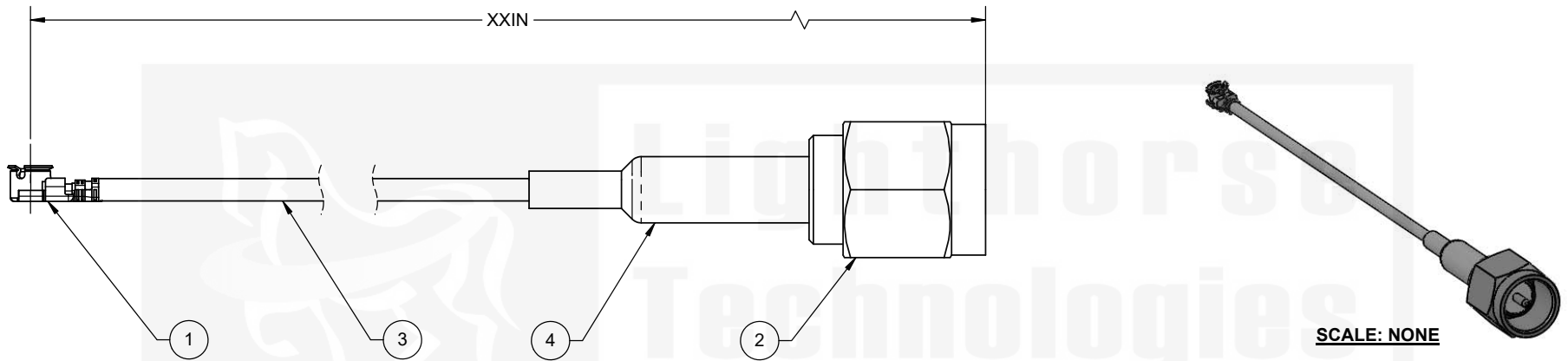


-XX IN THE ENDING OF THE CABLE PART NUMBER IS CALLING OUT THE LENGTH OF THE ASSEMBLY FROM CENTER TO MATING FLANGE OF CONNECTORS. EXAMPLES SHOWN BELOW:

LTI P/N: CB1.32D-IPX-SAMGT-4IN (4 INCHES)  
 CB1.32D-IPX-SAMGT-10IN (10 INCHES)


**REVISIONS**

REV	ECR	DESCRIPTION	DRAWN	DATE
1		PRODUCTION RELEASE	M. LARSEN	08/03/2022



ITEM	PART NUMBER	DESCRIPTION	QTY
1	IPXLF11GPB-132	IPX (MHF1), RHT ANGLE, JACK, CABLE CRIMP (I-PEX 20278-112R-32)	1
2	SASM11GT-316	SMA, STRAIGHT, PLUG, CABLE CRIMP	1
3	1.32D MICRO COAX	CABLE, 1.32D DOUBLE SHIELDED MICRO COAX, GREEN	AR
4	1635F-1/8"	.125 (1/8) DIA, .75 LENGTH, GREEN	1

IPX® AND MHF® ARE REGISTERED TRADEMARKS OF I-PEX CO., LTD. CORPORATION

DO NOT SCALE DRAWING			Lighthouse Technologies	
TOLERANCES UNLESS OTHERWISE SPECIFIED			San Diego, CA WWW.IPCONNECTOR.COM	
DIMENSIONS ARE IN MILLIMETERS		TITLE: CABLE ASSEMBLY,		
X = ±0.5 XX = ±0.25 XXX = ±0.13 ANGLE = ±30°		IPX (MHF1), R/A JACK, CRIMP TO SMA, PLUG, CRIMP USING 1.32D MICRO COAX, GREEN		
THIRD ANGLE PROJECTION		SIZE PART/DWG. NO: REV		
CUSTOMER APPROVAL		B CB1.32D-IPX-SAMGT-xxIN A		
SIGN / DATE:		SCALE: 4:1 FILE NAME SHEET 1 OF 1		
ENG APPR. P. BURDGE	08/03/2022			
CHECKED M. HELD	08/03/2022			
DRAWN M. LARSEN	08/03/2022			
NAME DATE				

**PROPRIETARY AND CONFIDENTIAL**

UNLESS OTHERWISE SPECIFIED: THIS DOCUMENT CONTAINS LIGHORSE TECHNOLOGIES INFORMATION. REPRODUCTION, USE, DISCLOSURE OR TRANSMITTAL OF ALL OR ANY PART OF THIS DOCUMENT IS PROHIBITED EXCEPT TO THE EXTENT APPROVED IN WRITING BY AN AUTHORIZED REPRESENTATIVE OF LIGHORSE TECHNOLOGIES. LIGHORSE TECHNOLOGIES RESERVES ALL RIGHTS UNDER PATENTS, TRADEMARKS, COPY RIGHTS AND TRADE SECRETS. COPY RIGHTS OF LIGHORSE TECHNOLOGIES 2011, ALL RIGHTS RESERVED.

