

IE-FCI-PWB-2USB-A-5V**Weidmüller Interface GmbH & Co. KG**Klingenbergstraße 26
D-32758 Detmold
Germany

www.weidmueller.com



FrontCom® Vario integrates multiple functions in only one single frame. The system is easy to install and you can select from a wide range of data, signal and power modules. In addition to being extremely compact, FrontCom® Vario offers a number of unique product features that will make your project planning and work activities secure, fast and future-proof. Furthermore, the FrontCom® Vario system has an attractive housing design that, by the way, offers highest impact-resistance and fully meets the requirements of IP 65 protection class.

General ordering data

Version	FrontCom, Insert Power large, USB charger
Order No.	2505070000
Type	IE-FCI-PWB-2USB-A-5V
GTIN (EAN)	4050118519167
Qty.	1 pc(s).

IE-FCI-PWB-2USB-A-5V

Weidmüller Interface GmbH & Co. KG
 Klingenbergstraße 26
 D-32758 Detmold
 Germany

www.weidmueller.com

Technical data

Dimensions and weights

Net weight 54 g

Temperatures

Operating temperature 0 °C...45 °C

General data

Insert type	Insert Power large	Protection degree	IP40
-------------	--------------------	-------------------	------

USB charger

Degree of efficiency	80%	Frequency range	50...60 Hz
Input current	≤ 300 mA	Input voltage	100...240 V AC
Input voltage, max.	240 V AC	Input voltage, min.	100 V
Output current	3 A	Output voltage	5 V
Output voltage	5 V DC	Output voltage type	DC
Power consumption in standby mode	max. 0.1 W	Protection class	II
Standards	EN 60950-1, EN 62684, EN 50558		

Clampable conductors

Conductor connection cross-section, extremely flexible with wire end ferrule	max.	2.5 mm ²
	min.	1.5 mm ²
Conductor connection cross-section, extremely flexible with wire end ferrule	1.5 ... 2.5 mm ²	
Conductor connection cross-section, flexible with wire end ferrule	1.5 ... 2.5 mm ²	
Conductor connection cross-section, flexible with wire end ferrule	min.	1.5 mm ²
	max.	2.5 mm ²
Conductor connection cross-section, rigid	min.	1.5 mm ²
	max.	2.5 mm ²
Conductor connection cross-section, rigid	1.5 ... 2.5 mm ²	
Stripping length	6 mm	
Type of connection	Screw connection	

Electrical properties

Degree of efficiency 80%

Classifications

ETIM 6.0	EC001121	ETIM 7.0	EC001121
ETIM 8.0	EC001121	ECLASS 9.0	27-44-03-90
ECLASS 9.1	27-18-90-90	ECLASS 10.0	27-44-03-90
ECLASS 11.0	27-44-03-90	ECLASS 12.0	27-18-28-92

Approvals

ROHS Conform

IE-FCI-PWB-2USB-A-5V

Weidmüller Interface GmbH & Co. KG
Klingenbergstraße 26
D-32758 Detmold
Germany

www.weidmueller.com

Technical data

Downloads

Engineering Data	CAD data – STEP
User Documentation	Designation key / Type key
Catalogues	Catalogues in PDF-format

Data sheet

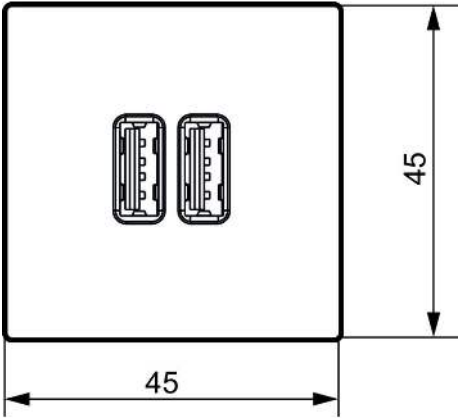
IE-FCI-PWB-2USB-A-5V

Weidmüller Interface GmbH & Co. KG
Klingenbergstraße 26
D-32758 Detmold
Germany

www.weidmueller.com

Drawings

Dimensioned drawing



Dimensioned drawing

