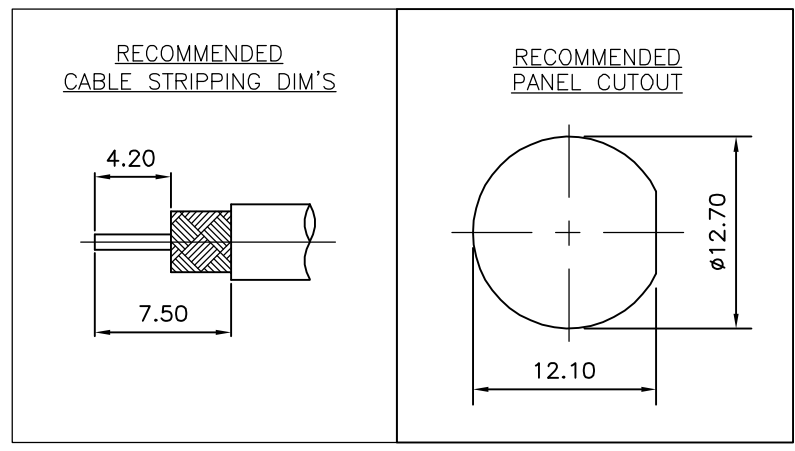
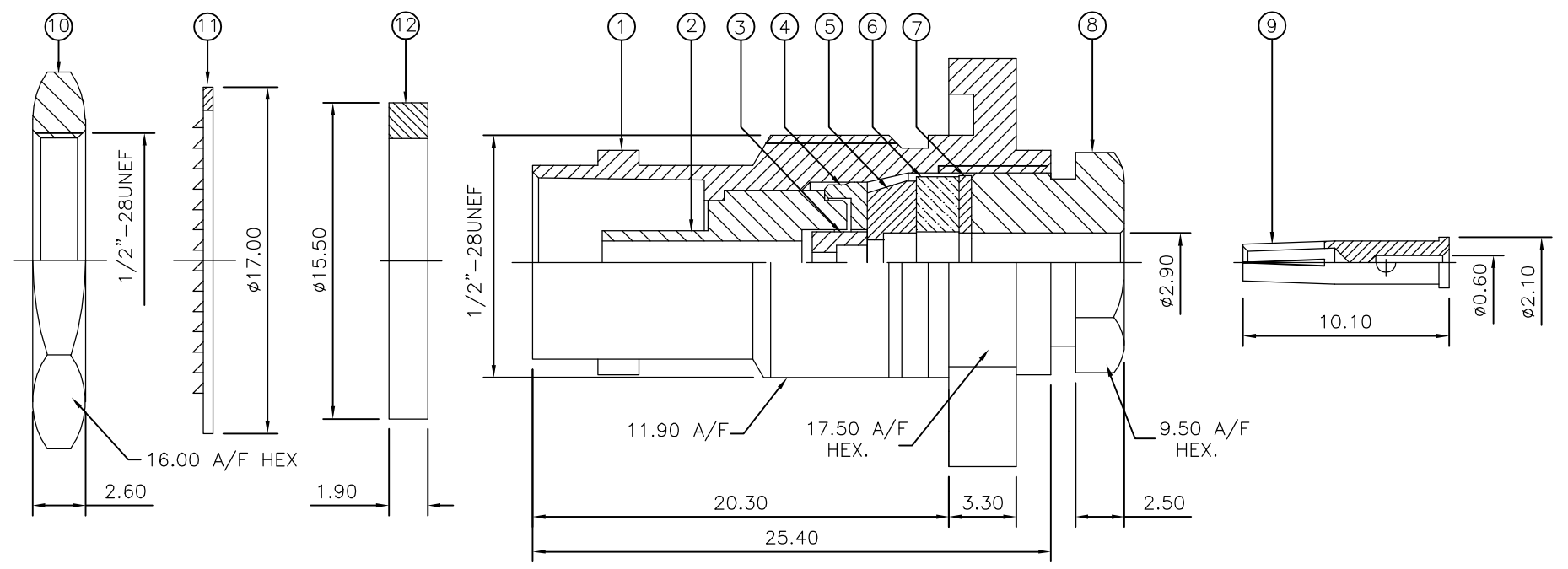


THIS DRAWING IS UNPUBLISHED. RELEASED FOR PUBLICATION JULY, 2006.
 © COPYRIGHT 2006 BY TYCO ELECTRONICS CORPORATION. ALL RIGHTS RESERVED.

LOC	DIST	REVISIONS					
E	B	P	LTR	DESCRIPTION	DATE	DWN	APVD
		B		ECR-06-015596	13JUL06	JMS	FWK

- NOTES:
- 1 PACK IN ACCORDANCE WITH AMP SPEC 107-3275
 - 2 100 TRAY PACK IN ACCORDANCE WITH AMP SPEC 107-3275
 - 3 Ag PLATING
 - 4 THIS ITEM MUST BE WHITE
- 5 ELECTRICAL CHARACTERISTICS
 FREQUENCY RANGE: DC - 2 GHz
 NOMINAL IMPEDANCE: 75 Ohm
 INSULATION RESISTANCE: 5000 MOhm
 WORKING VOLTAGE: 500 Volts RMS at Sea Level
 DIELECTRIC WITHSTAND VOLTAGE: 1500 Volts RMS Max
 CONTACT RESISTANCE:
 CENTRE CONTACT: 1.50 mOhm Max
 OUTER CONTACT: 0.20 mOhm Max
 VSWR @ 2GHz: 1.20:1 Max
 INSERTION LOSS dB @ x 2 GHz: 0.20 Max
- 6 MECHANICAL CHARACTERISTICS
 COUPLING RETENTION FORCE: N/A
 CABLE RETENTION FORCE: 85N Min
 CLAMP NUT RECOMMENDED TORQUE: 4N
 MOUNT NUT RECOMMENDED TORQUE: 4N
 DURABILITY: 500 Cycles Min
- 7 ENVIRONMENTAL CHARACTERISTICS
 OPERATING TEMPERATURE: -65 to +165 DegC
- 8 FOR TECHNICAL DATA REFER TO YOUR LOCAL TYCO ELECTRONICS SALES OFFICE
- 9 ALL DIMENSIONS ARE NOMINAL FOR REFERENCE ONLY UNLESS OTHERWISE STATED



QTY	QTY	MATERIAL	DESCRIPTION	ITEM
1	1	SILICON RUBBER	GASKET	12
1	1	STEEL	LOCKWASHER	11
1	1	BRASS	HEX. NUT	10
1	1	BRASS	CONTACT	9
1	1	BRASS	CLAMP NUT	8
1	1	BRASS	WASHER	7
1	1	SILICON RUBBER	GASKET	6
1	1	BRASS	SLEEVE	5
1	1	BRASS	WASHER	4
1	1	PTFE	INSULATION	3
1	1	PTFE	INSULATION	2
1	1	BRASS	BODY	1
6--0	1--0	MATERIAL	DESCRIPTION	ITEM

THIS DRAWING IS A CONTROLLED DOCUMENT.		DWN J.SANDWELL 13JUL06	Tyco Electronics Corporation Bideford EX39 4HE	
DIMENSIONS: mm		CHK S.PARLOW 13JUL06		
TOLERANCES UNLESS OTHERWISE SPECIFIED:		APVD F.WHEELER-KING 13JUL06	NAME BNC STRAIGHT BULKHEAD JACK MIL-CLAMP 75 OHM RG179B/U, 187A/U, URM111	
0 PLC ± -		PRODUCT SPEC	APPLICATION SPEC	
1 PLC ± -			411-3253	
2 PLC ± -			WEIGHT -	
3 PLC ± -			SIZE A3	
4 PLC ± -			CAGE CODE 00779	
ANGLES ± -			DRAWING NO C-1478139	
FINISH -			RESTRICTED TO -	
MATERIAL SEE TABLE		CUSTOMER DRAWING		
		SCALE NTS		SHEET 1 OF 1
				REV B