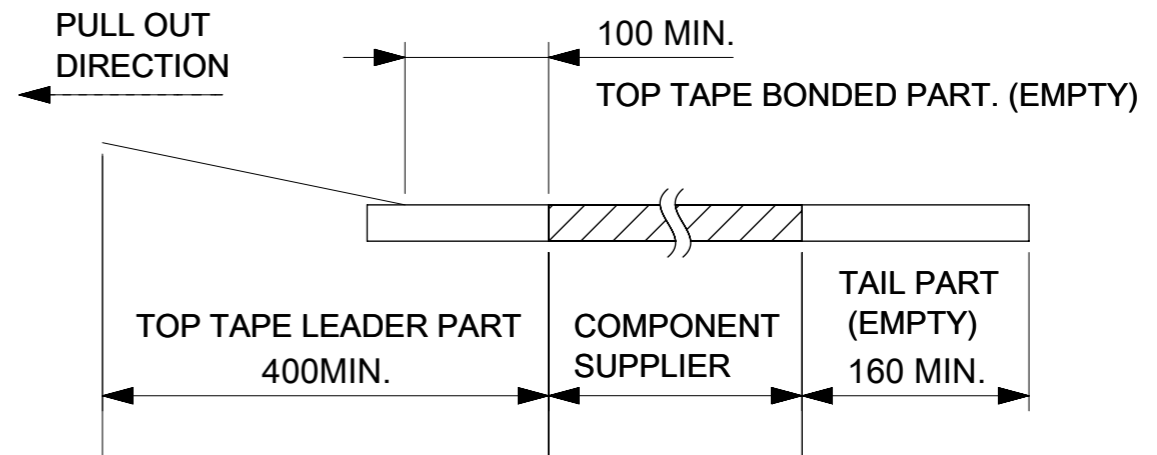
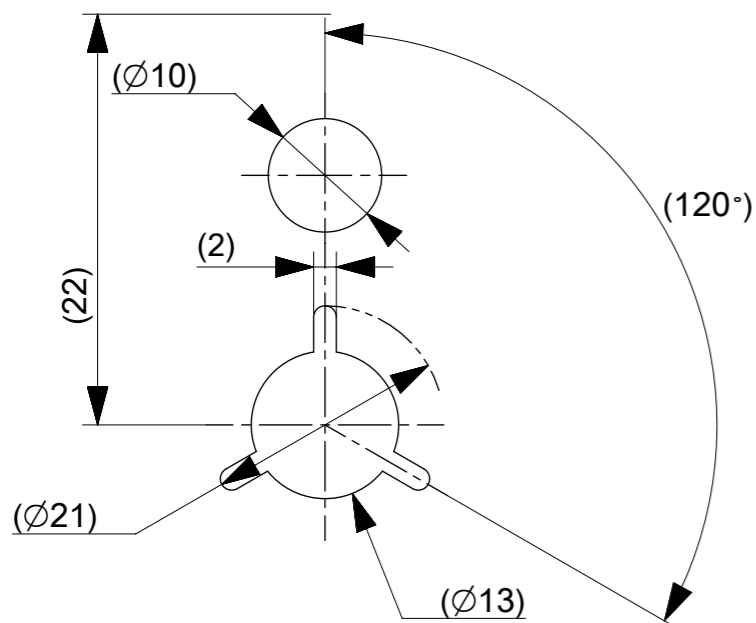


NOTES

1. RE DETAILED DIMENSION, SEE PRODUCT DRAWING.
2. NUMBER OF CONNECTORS : 20000PCS/REEL
3. LEAD TAPE LENGTH.

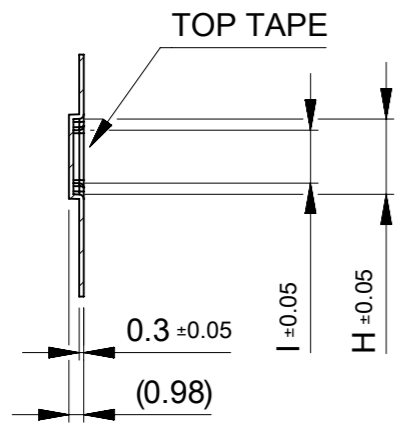


4. PEELING OFF FORCE OF THE TOP TAPE IS DEFINED BY IEC60286-3.
5. MATERIAL
 CARRIER TAPE : POLYSTYRENE OR PET
 TOP TAPE : PET , OTHER
 REEL : POLYSTYRENE (PS) < RECYCLE MATERIAL CONTAINED >
6. ELV AND RoHS COMPLIANT
 △7 CONFORM TO 2033909200-SPK_PS200 FOR PACKAGING SPECIFICATION.
 △8 CONFORM TO 2033909200-SPK_PS201 FOR PACKAGING SPECIFICATION.

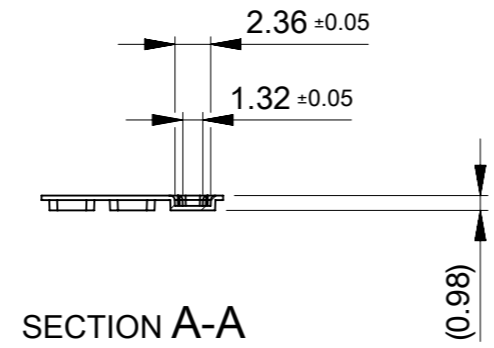
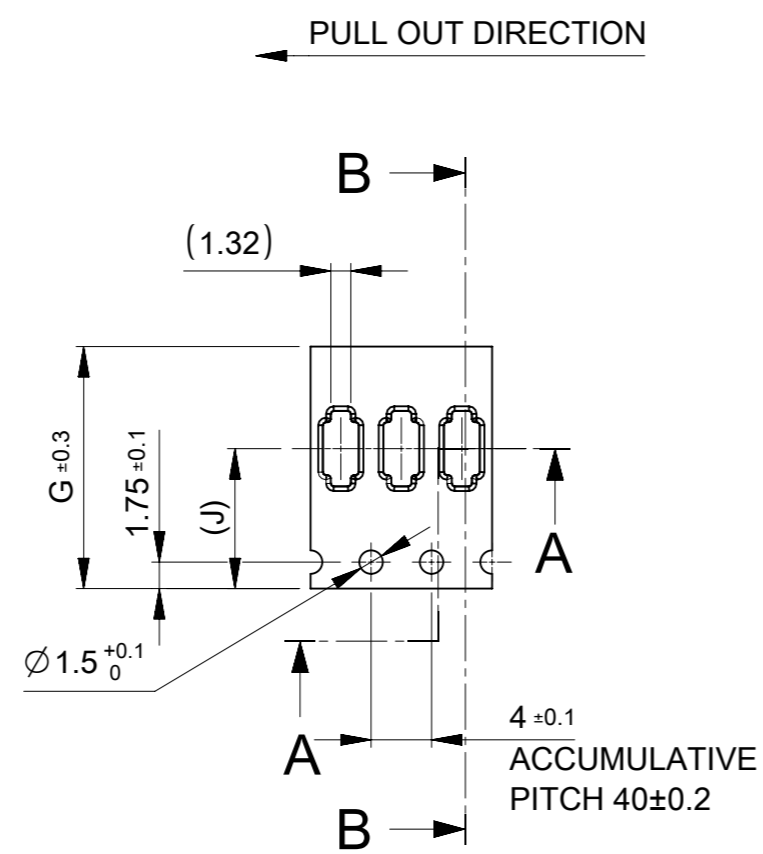


DETAIL "D"

THIS DRAWING CONTAINS INFORMATION THAT IS PROPRIETARY TO MOLEX ELECTRONIC TECHNOLOGIES, LLC AND SHOULD NOT BE USED WITHOUT WRITTEN PERMISSION													
DIMENSION UNITS		SCALE		CURRENT REV DESC:				molex					
mm		1:1											
GENERAL TOLERANCES (UNLESS SPECIFIED)				EC NO: 725424 DRWN: AISHII 2022/10/20 CHK'D: YKOBAYASHI02 2022/10/20 APPR: KSASAKI 2022/10/21 INITIAL REVISION: DRWN: DGONDO 2020/06/25 APPR: YKOBAYASHI02 2020/07/07				0.175BB H=0.6 QUADROW PLUG EMBS PACKAGE					
ANGULAR TOL ± 3.0 °								PRODUCT CUSTOMER DRAWING					
4 PLACES ± 0.03		3 PLACES ± 0.03						DOCUMENT NUMBER		DOC TYPE		DOC PART	
2 PLACES ± 0.05		1 PLACE ± 0.1						2033900000-SD		PSD		000	
0 PLACES ± 0.2		DRAFT WHERE APPLICABLE MUST REMAIN WITHIN DIMENSIONS						THIRD ANGLE PROJECTION		DRAWING		SERIES	
				A3-SIZE		203390		MATERIAL NUMBER					
				SEE CHART		CUSTOMER		GENERAL					
								SHEET NUMBER					
								1 OF 2					



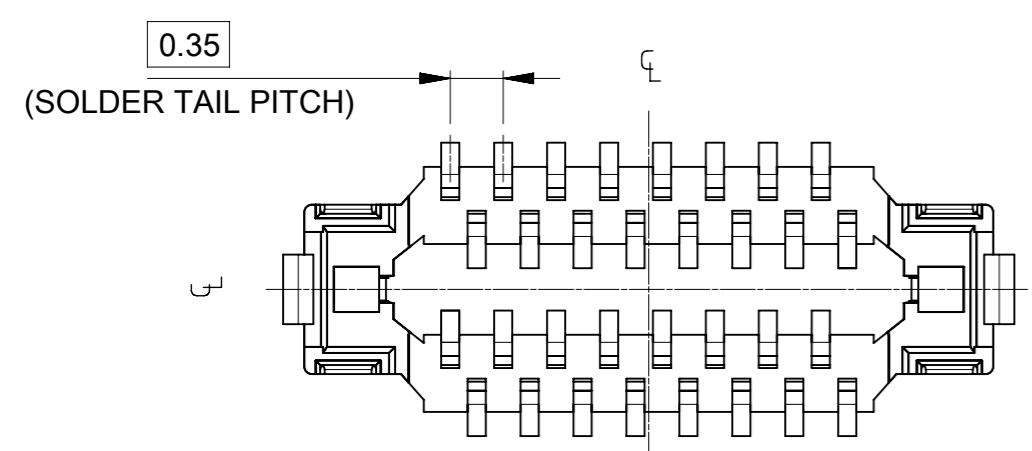
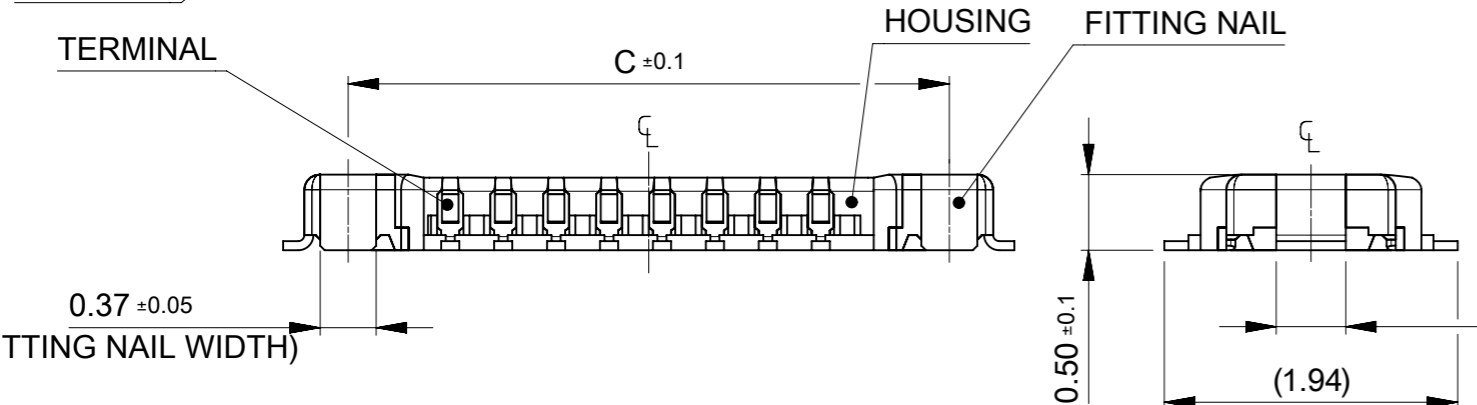
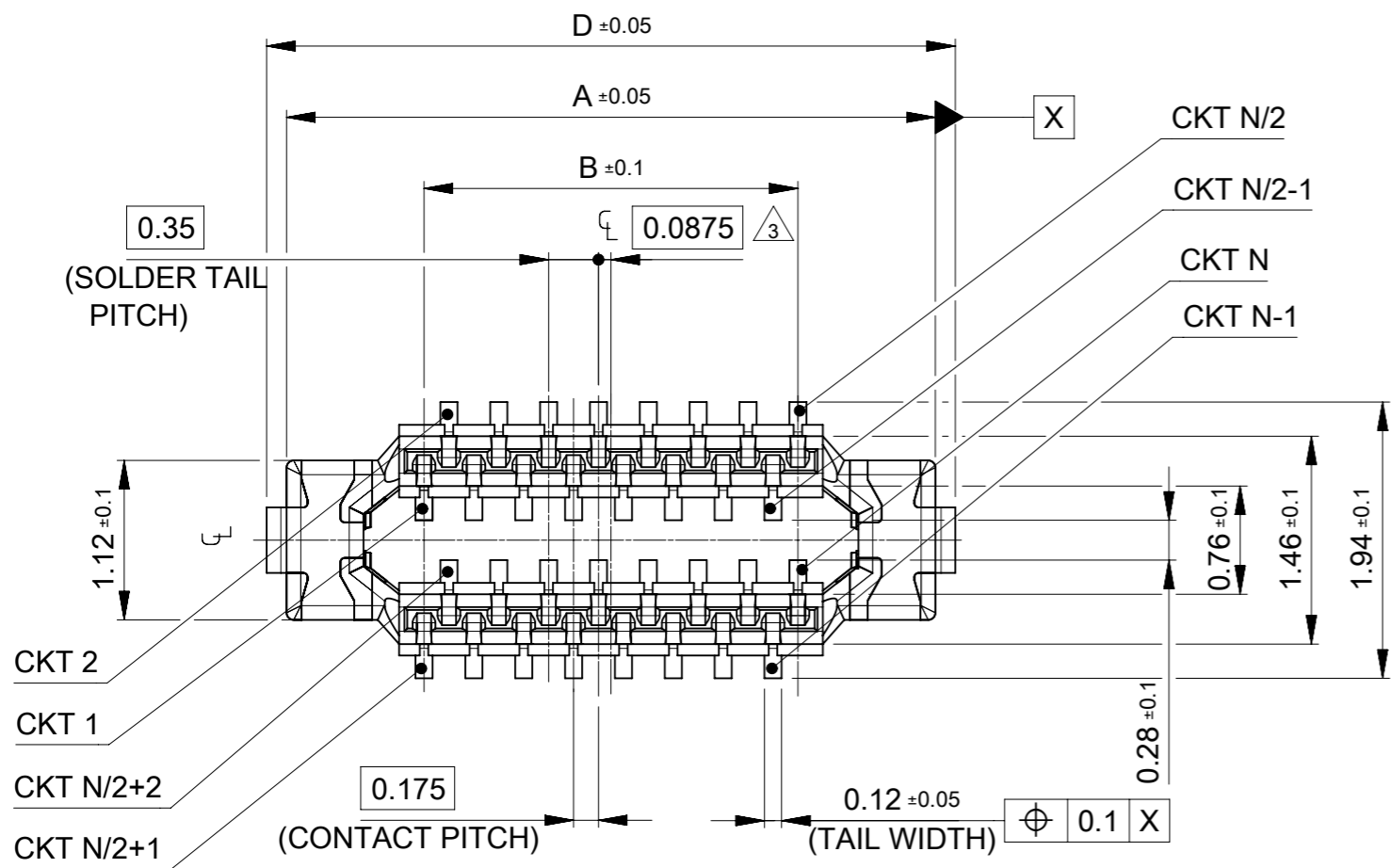
SECTION B-B



SECTION A-A

7.5	3.85	5.325	16	21.4	17.4	2033900363	2033900361	36
7.5	3.5	4.975	16	21.4	17.4	2033900323	2033900321	32
J	I	H	G	F	E	ORDER NO.	ORDER NO.	CIRCUIT
						PACKAGING SPEC: \triangle_8	PACKAGING SPEC: \triangle_7	
CONNECTOR SERIES No. 2033900***								

THIS DRAWING CONTAINS INFORMATION THAT IS PROPRIETARY TO MOLEX ELECTRONIC TECHNOLOGIES, LLC AND SHOULD NOT BE USED WITHOUT WRITTEN PERMISSION		CURRENT REV DESC:		molex		
DIMENSION UNITS	SCALE	EC NO: 725424				
mm	2:1	DRWN: AISHII 2022/10/20		PRODUCT CUSTOMER DRAWING		
GENERAL TOLERANCES (UNLESS SPECIFIED)		CHK'D: YKOBAYASHI02 2022/10/20				
ANGULAR TOL	± 3.0 °	APPR: KSASAKI 2022/10/21		DOCUMENT NUMBER		
4 PLACES	± 0.03	INITIAL REVISION:		2033900000-SD		
3 PLACES	± 0.03	DRWN: DGONDO 2020/06/25		DOC TYPE	DOC PART	REVISION
2 PLACES	± 0.05	APPR: YKOBAYASHI02 2020/07/07		PSD	000	E
1 PLACE	± 0.1	DRAFT WHERE APPLICABLE MUST REMAIN WITHIN DIMENSIONS		SHEET NUMBER		
0 PLACES	± 0.2	THIRD ANGLE PROJECTION	DRAWING	SERIES	MATERIAL NUMBER	CUSTOMER
			A3-SIZE	203390	SEE CHART	GENERAL



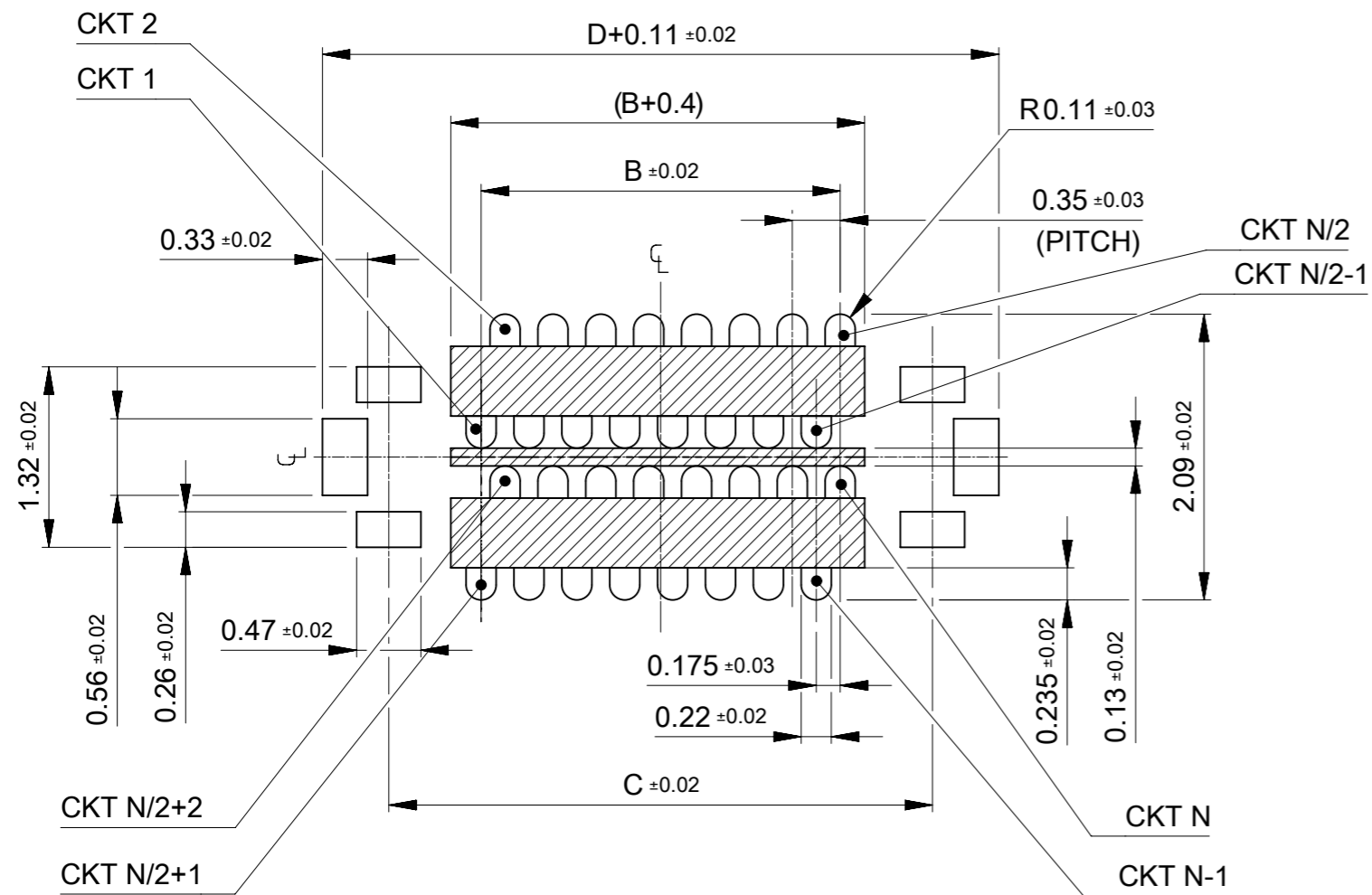
NOTES

- MATERIAL
HOUSING : LIQUID CRYSTAL POLYMER UL94V-0(COLOR : BLACK)
TERMINAL : COPPER ALLOY
FITTING NAIL : COPPER ALLOY
 - PLATING
TERMINAL
CONTACT AREA : GOLD 0.1 μm MIN.
TAIL AREA : GOLD 0.05 μm MIN.
UNDER PLATING : NICKEL 1.0 μm MIN.
*DIVIDE INTO PARTS THE GOLD PLATING OF CONTACT AND THE TAIL PART BY THE NICKEL PLATING.
*EITHER GOLD OR NICKEL PLATING IS ACCEPTABLE IN THE AREA WHICH IS NOT SPECIFIED AS CONTACT TAIL OR NICKEL BARRIER.
FITTING NAIL
CONTACT AREA : GOLD 0.1 μm MIN.
TAIL AREA : GOLD 0.05 μm MIN.
UNDER PLATING : NICKEL 1.0 μm MIN.
*DIVIDE INTO PARTS THE GOLD PLATING OF CONTACT AND THE TAIL PART BY THE NICKEL PLATING.
*EITHER GOLD OR NICKEL PLATING IS ACCEPTABLE IN THE AREA WHICH IS NOT SPECIFIED AS CONTACT TAIL OR NICKEL BARRIER.
- $\triangle 3$ APPLY FOR (CIRCUIT/4)=EVEN
4. MATE WITH : 2033890**1, 2033890**3
5. TAIL AND FITTING NAIL COPLANARITY TO BE 0.08mm MAXIMUM.
 $\triangle 6$ CONFORM TO 2033909200-SPK_PS200 FOR PACKAGING SPECIFICATION.
 $\triangle 7$ CONFORM TO 2033909200-SPK_PS201 FOR PACKAGING SPECIFICATION.

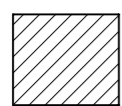
5.185	4.325	2.975	4.905	2033900363	2033900361	36
4.835	3.975	2.625	4.555	2033900323	2033900321	32
D	C	B	A	EMBOSSED TAPE PACKAGE	EMBOSSED TAPE PACKAGE	CIRCUIT
				ORDER No.	ORDER No.	
				PACKAGING SPEC: $\triangle 7$	PACKAGING SPEC: $\triangle 6$	

CONNECTOR SERIES No. : 203390***1

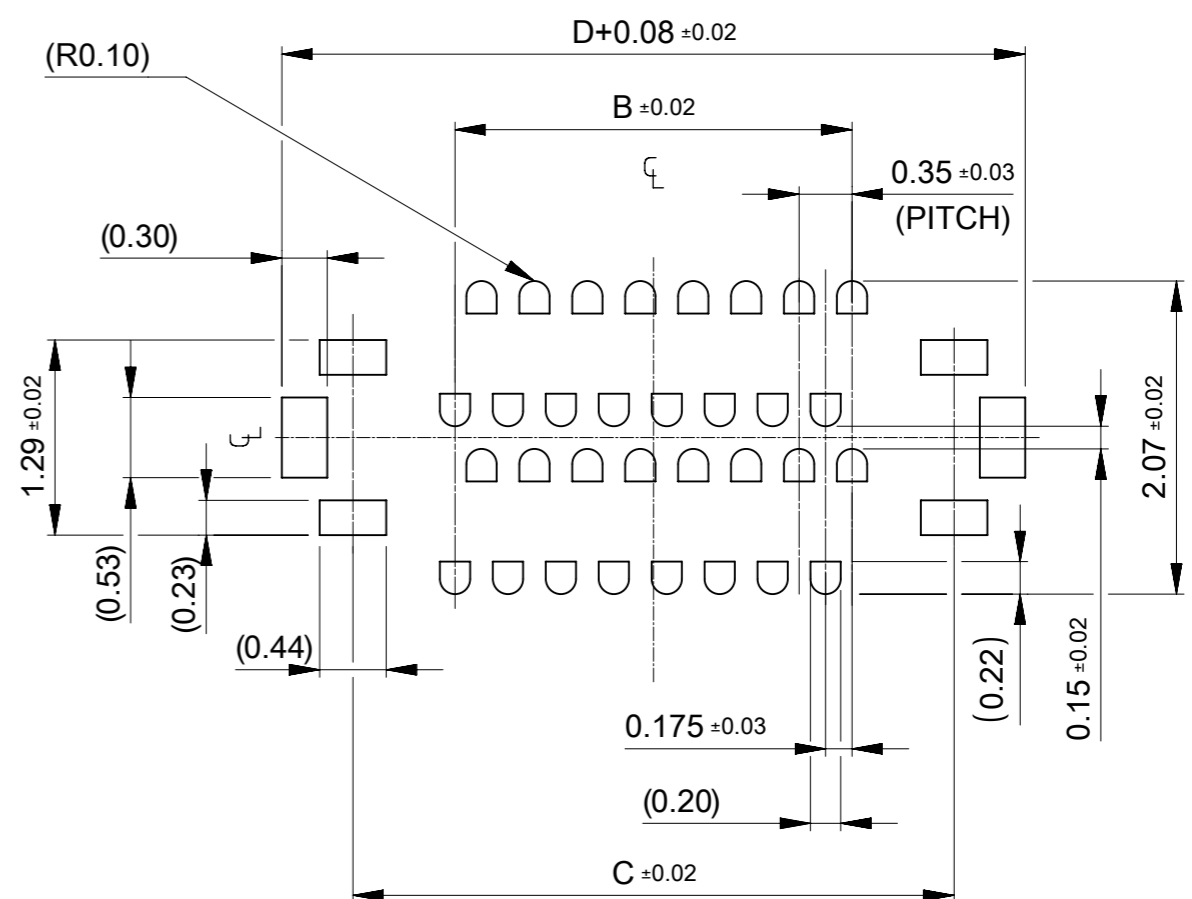
THIS DRAWING CONTAINS INFORMATION THAT IS PROPRIETARY TO MOLEX ELECTRONIC TECHNOLOGIES, LLC AND SHOULD NOT BE USED WITHOUT WRITTEN PERMISSION		CURRENT REV DESC:		molex	
DIMENSION UNITS	SCALE	EC NO: 725424			
mm	20:1	DRWN: AISHII 2022/10/20		0.175 BB H=0.6 QUAD ROW PLUG ASSY	
GENERAL TOLERANCES (UNLESS SPECIFIED)		CHK'D: YKOBAYASHI02 2022/10/20			
ANGULAR TOL	$\pm 3.0^\circ$	APPR: KSASAKI 2022/10/21		PRODUCT CUSTOMER DRAWING	
4 PLACES	± 0.03	INITIAL REVISION:		DOCUMENT NUMBER	
3 PLACES	± 0.03	DRWN: DGONDO 2020/06/25		2033901000-SD	
2 PLACES	± 0.05	APPR: YKOBAYASHI02 2020/07/07		DOC TYPE	
1 PLACE	± 0.1	THIRD ANGLE PROJECTION		PSD	
0 PLACES	± 0.2	DRAWING		DOC PART	
DRAFT WHERE APPLICABLE MUST REMAIN WITHIN DIMENSIONS		SERIES		REVISION	
		A3-SIZE		000	
		203390		E	
		MATERIAL NUMBER		SHEET NUMBER	
		CUSTOMER		1 OF 2	
		SEE CHART		GENERAL	



RECOMMENDED P.W.BOARD PATTERN LAYOUT (REFERENCE)
(SM OPENING DIMENSION)

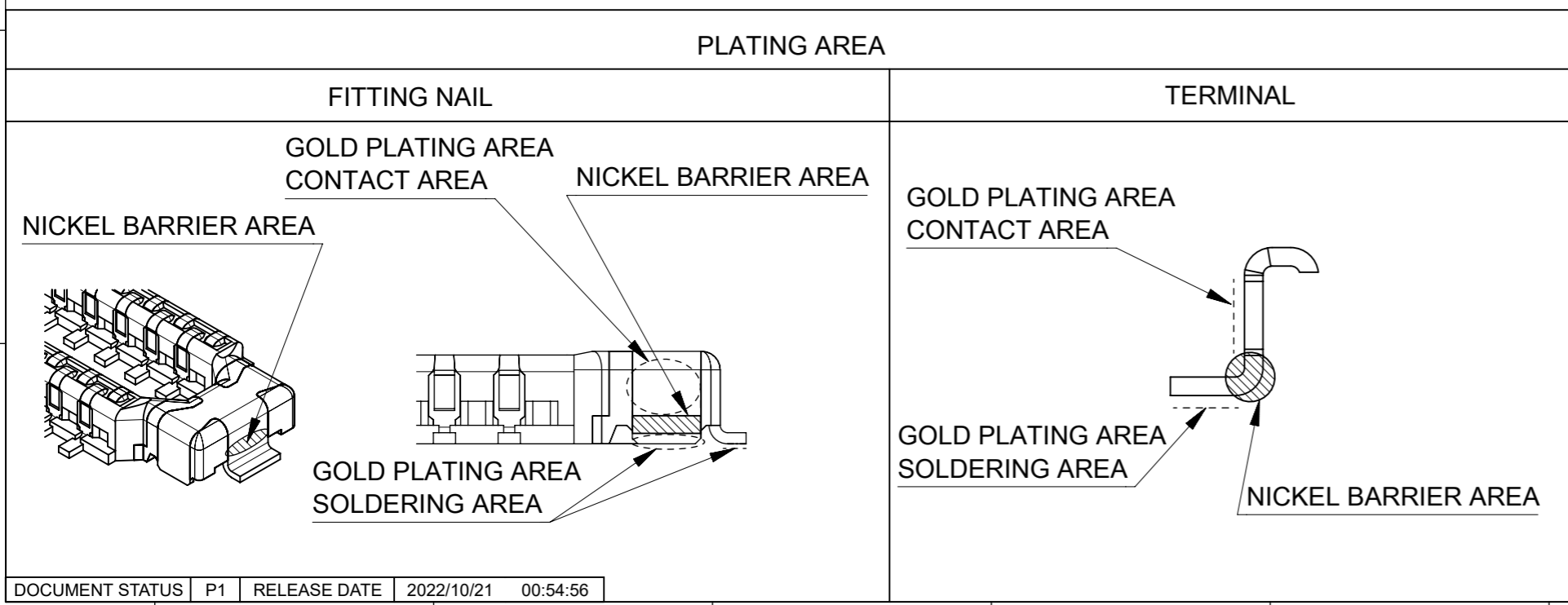


SOLDERING PROHIBITED AREA
WHEN WIRING IS LOCATED,
THE WIRING MUST BE MASKED BY COVER LAY OR RESIST FILM.



RECOMMENDED METAL MASK LAYOUT (REFERENCE)

RECOMMENDED THICKNESS OF METAL MASK : $t=0.08\text{mm}$
RECOMMENDED OPEN APERTURE RATIO OF METAL MASK : 80%



THIS DRAWING CONTAINS INFORMATION THAT IS PROPRIETARY TO MOLEX ELECTRONIC TECHNOLOGIES, LLC AND SHOULD NOT BE USED WITHOUT WRITTEN PERMISSION		CURRENT REV DESC:		molex	
DIMENSION UNITS	SCALE				
mm	20:1			0.175 BB H=0.6 QUAD ROW PLUG ASSY	
GENERAL TOLERANCES (UNLESS SPECIFIED)				PRODUCT CUSTOMER DRAWING	
ANGULAR TOL	± 3.0 °			DOCUMENT NUMBER	
4 PLACES	± 0.03	EC NO: 725424	2022/10/20	2033901000-SD	
3 PLACES	± 0.03	DRWN: AISHII	2022/10/20	DOC TYPE	DOC PART
2 PLACES	± 0.05	CHK'D: YKOBAYASHI02	2022/10/21	PSD	000
1 PLACE	± 0.1	APPR: KSASAKI	2022/10/21	REVISION	E
0 PLACES	± 0.2	INITIAL REVISION:			
DRAFT WHERE APPLICABLE MUST REMAIN WITHIN DIMENSIONS		DRWN: DGONDO	2020/06/25		
		APPR: YKOBAYASHI02	2020/07/07		
THIRD ANGLE PROJECTION		DRAWING	SERIES	MATERIAL NUMBER	CUSTOMER
		A3-SIZE	203390	SEE CHART	GENERAL
				SHEET NUMBER	
				2 OF 2	