

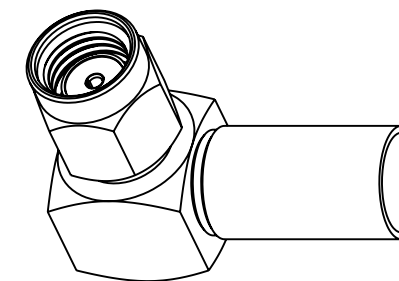
NOTES:

1. MATERIALS OF FINISHES:  
 FERRULE - BRASS, GOLD PLATING  
 COVER - BRASS, GOLD PLATING  
 RETAINER RING - SUS 304, NATURAL  
 GASKET - SILICONE RUBBER, RED  
 BODY - BRASS, GOLD PLATING  
 CONTACT PIN - BERYLLIUM COPPER, GOLD PLATING  
 INSULATOR - PTFE, NATURAL
2. ELECTRICAL:  
 A. IMPEDANCE: 50 OHM  
 B. FREQUENCY RANGE: 0-6 GHZ  
 C. VSWR(RETURN LOSS): 1.3 MAX.  
 D. DIELECTRIC WITHSTANDING VOLTAGE: 1000 VRMS, MIN.
3. MECHANICAL:  
 A. DURABILITY: 500 CYCLES MIN.  
 B. TEMPERATURE RANGE: -40°C TO +85°C
4. CRIMPED FERRULE HEX. CRIMP SIZE .255"
5. CONTACT PIN TO SOLDER

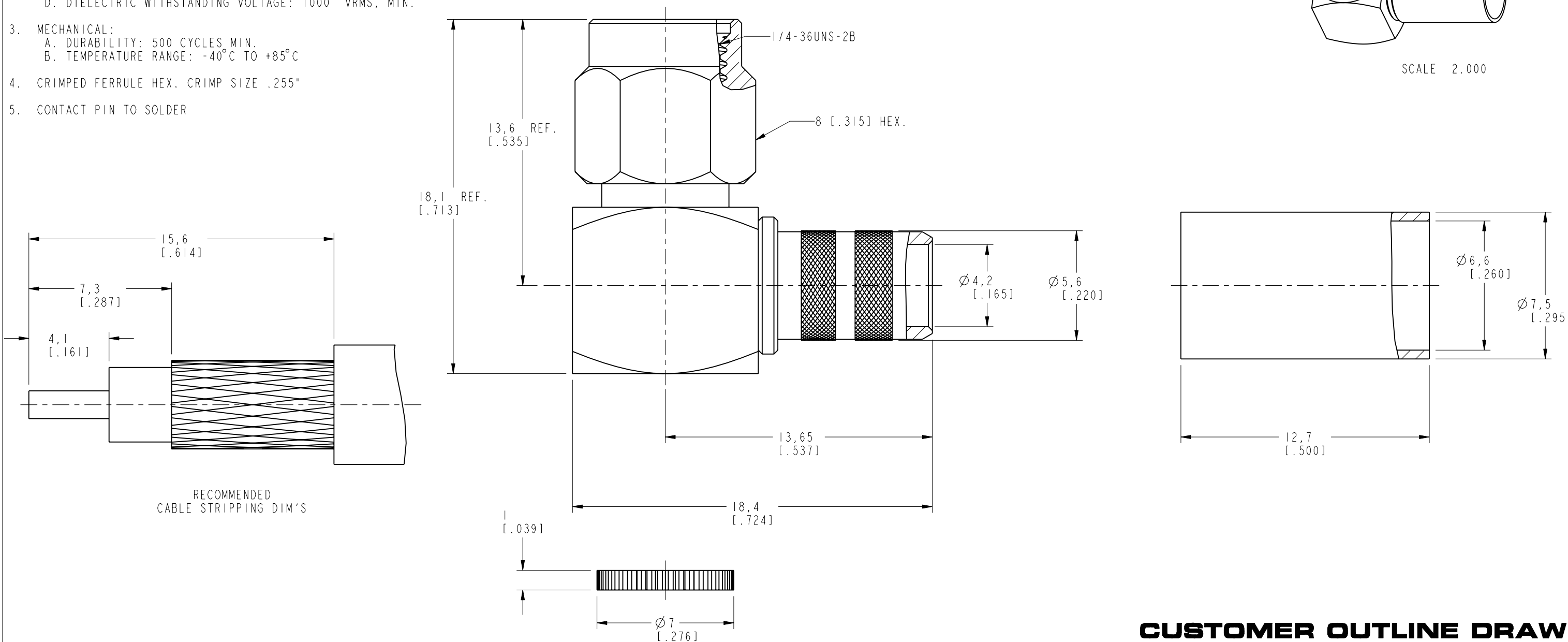
THIRD ANGLE PROJ.

REVISIONS

REV	DESCRIPTION	DATE	ECN	APPR
NC	INITIAL RELEASE	16-Mar-11	-----	MZ
A	SYNC, REDRAWN IN THE PRO/E	23-Jun-14	-----	MZ
B	CORRECT THE HOUSING SHAPE & UPDATE TITLE	07-Jan-19	10142	SH



SCALE 2.000



**CUSTOMER OUTLINE DRAWING**  
 ALL OTHER SHEETS ARE FOR INTERNAL USE ONLY

UNLESS OTHERWISE SPECIFIED, DIMENSIONS ARE IN METRIC AND TOLERANCES ARE: <0.5mm ± 0.05mm    0.5 - 6mm ± 0.1mm    6 - 30mm ± 0.2mm    30 - 120mm ± 0.3mm    ANGLES ± 1°	MATERIAL	DRAWN	DATE	TITLE SMA REVERSE POLARITY R/A CRIMP PLUG (FOR RG-8/X CABLE)	Amphenol RF www.amphenolrf.com
	-	M. ZHANG	07-Jan-19		
NOTICE - These drawings, specifications, or other data (1) are, and remain the property of Amphenol corp. (2) must be returned upon request; and (3) are confidential and not to be disclosed to any person other than those to whom they are given by Amphenol Corp. the furnishing of these drawings, specifications, or other data by Amphenol Corp., or to any other person to anyone for any purpose is not to be regarded by implication or otherwise in any manner licensing, granting rights to permitting such holder or any other person to manufacture, use or sell any product, process or design, patented or otherwise, that may in any way be related to or disclosed by said drawings, specifications, or other data.	REFERENCE	ENGINEER	DATE	SCALE: 5.0:1.0   SHEET 2 OF 2	DRAWING NO. RSM1112A1-3GT5GP-8X-50 ITEM NO. 61112AAA89FR5F PART NO. 132239RP
	EAR#	S. DUAN	23-Jun-14		
	REF:	APPROVED	S. HSIEH	DATE	DWG SIZE
CONFIGURATION LEVEL: In Work	FINISH		07-Jan-19	B	B