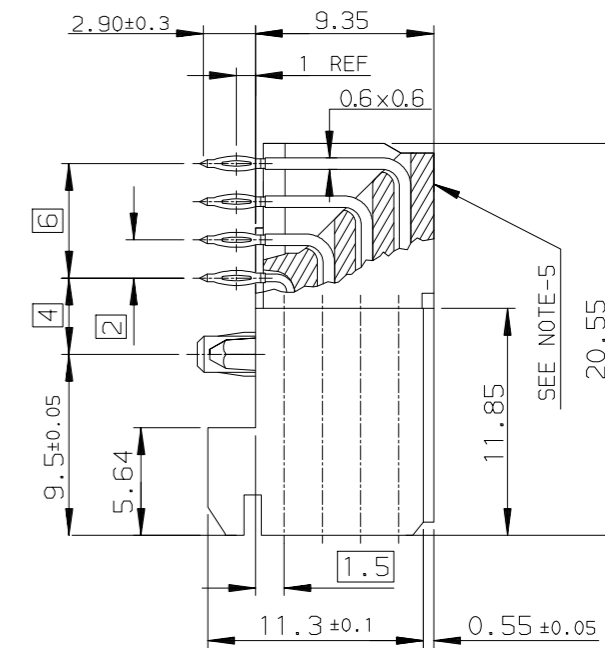
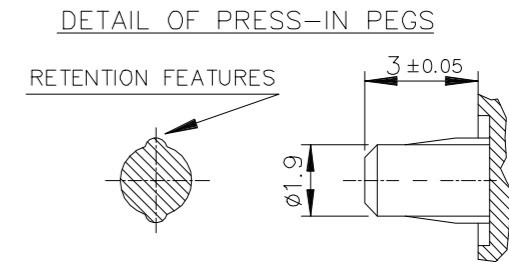
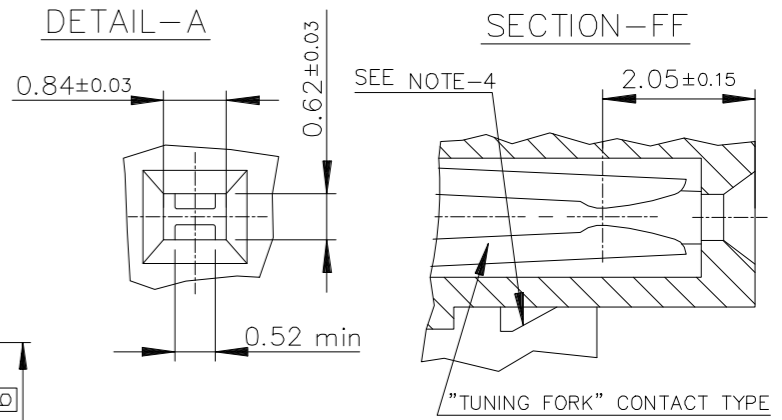
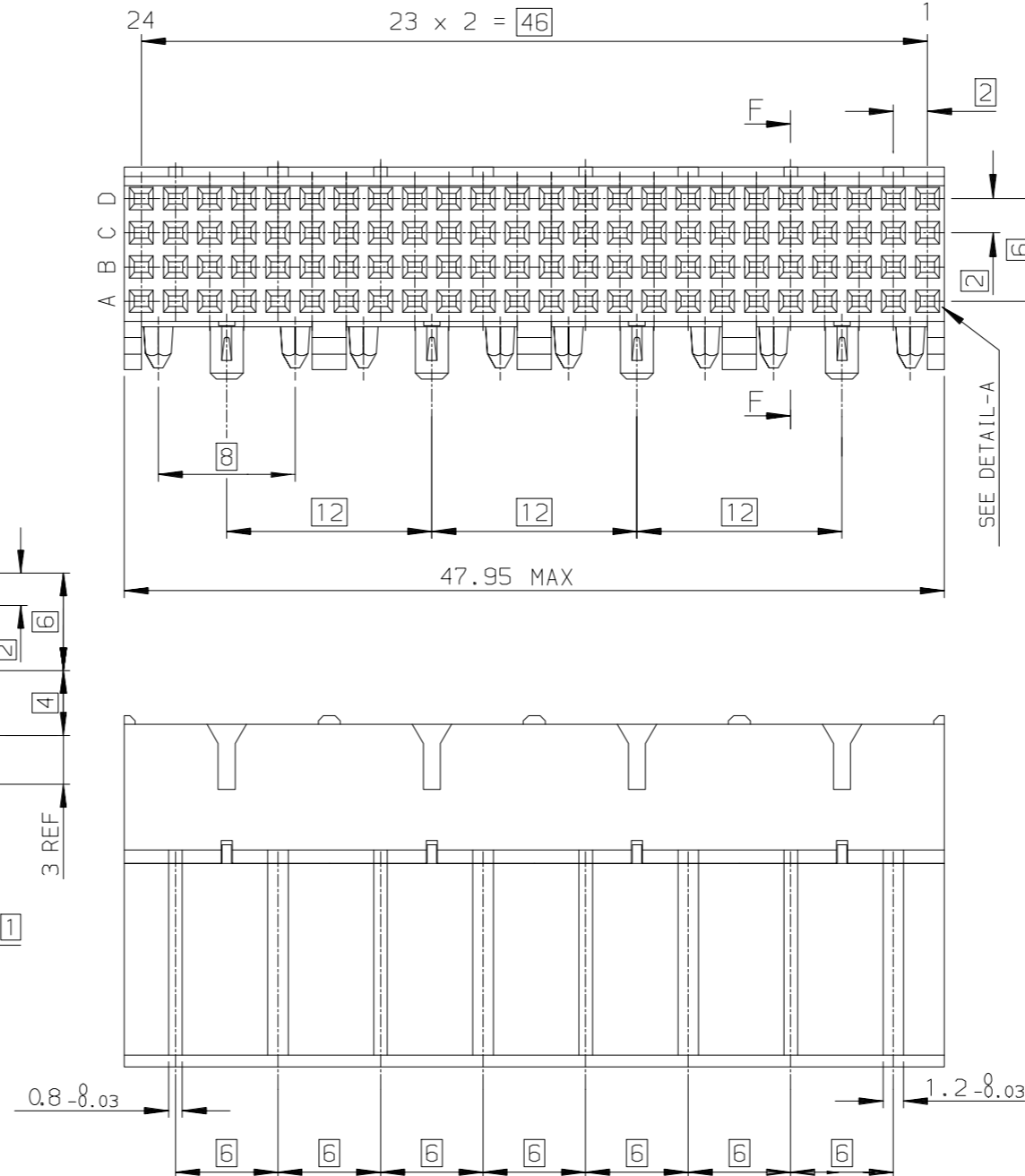
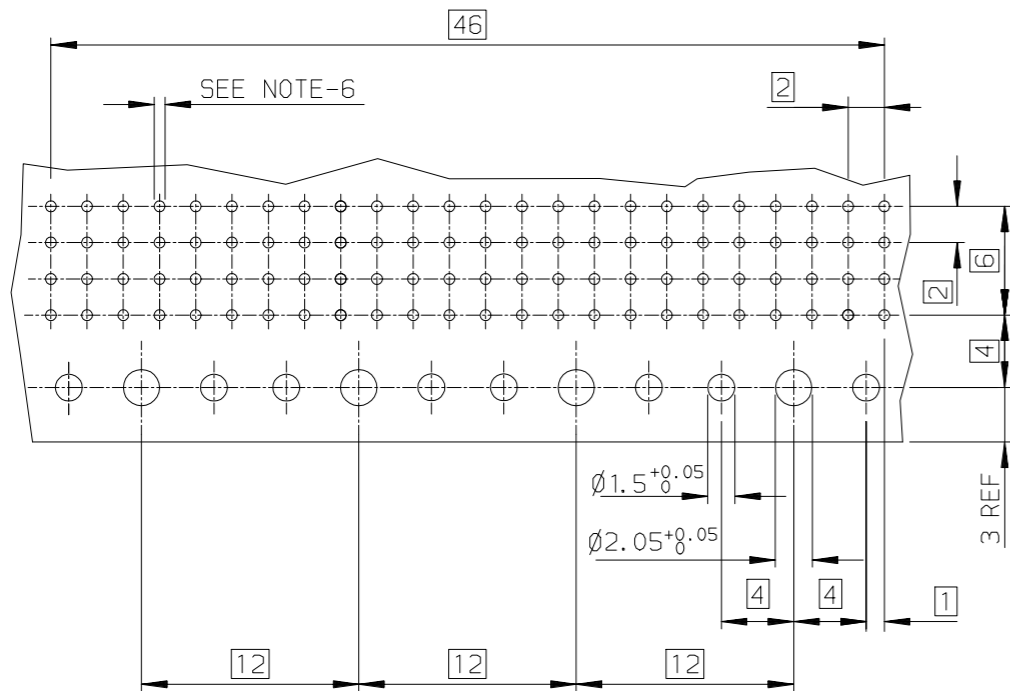


GENERAL CHARACTERISTICS AND ROHS INFORMATIONS:
See PRODUCT SPECIFICATION: GS-12-447

LAYOUT FOR P.C.B



NOTES:

- MATERIAL : BODY : LCP UL94-V0
: CONTACT : COPPER ALLOY.
- FOR PLATING PERFORMANCE REFER DRAWING # 10159409
- CONNECTORS WITH PCB 2.4mm ARE COMPATIBLE WITH WIDE AND NARROW BODIES.
- PLUG FOR CODING KEY FIXING.
- FLAT ROCK INSERTION TOOLING IN PCB, SEE DRW REF : C-8626-1003.
- METALIZED HOLE DEFINITION , SEE GS-12-447.
- IF SUFFIX "P" IS ADDED IN P/N PACKAGING IS IN TRAYS BUT CONNECTOR MARKING IS WITHOUT "P".
EXAMPLE : HM1FXXXXXXXXHxPLF, MARKED HM1FXXXXXXXXHxLF
- THIS PRODUCT MEETS EUROPEAN UNION DIRECTIVES AND OTHER COUNTRY REGULATIONS AS DESCRIBED IN GS-47- 0004
- A Δ SYMBOL WILL BE NEXT TO ANY DIMENSION, VIEW, OR NOTE WHICH HAS BEEN MODIFIED WITH THE CURRENT DRAWING REVISION.

X-PLATING CODE Δ
REF.DWG. 10159409

PART NUMBER :HM1F43FDP000HxPLF

mat'l. code				surface <input checked="" type="checkbox"/> ISO 1302		tolerance <input checked="" type="checkbox"/> ISO 406 <input checked="" type="checkbox"/> ISO 1101		projection		product family METRAL	
ltr				ecn no		dr		date		title	
H				LS06-0095		LGO		2006-06-30		METRAL FEMALE 4 ROWS 96 CTS	
J				LS06-0159		MLE		2006-10-16		RIGHT ANGLE PRESS-FIT / PRESS-IN PEG	
K				LS07-0266		MLE		2007-11-06		scale -	
L				ELX-I-38656		MINI		2020-10-09		dwg no	
M				ELX-I-42905		NIRMAL		2021-11-12		sheet 1 of 1 size	
dr				ETIEMBRE		1998-05-06		Amphenol FCI		C-8626-0066 A3	
engr				NRMAL SAM		2021-11-12				type Product Customer Drawing	
chr				ALEX BABU		2021-11-12					
appd				SANJOJ P K		2021-11-12					
sheet index		revision sheet		M		1					