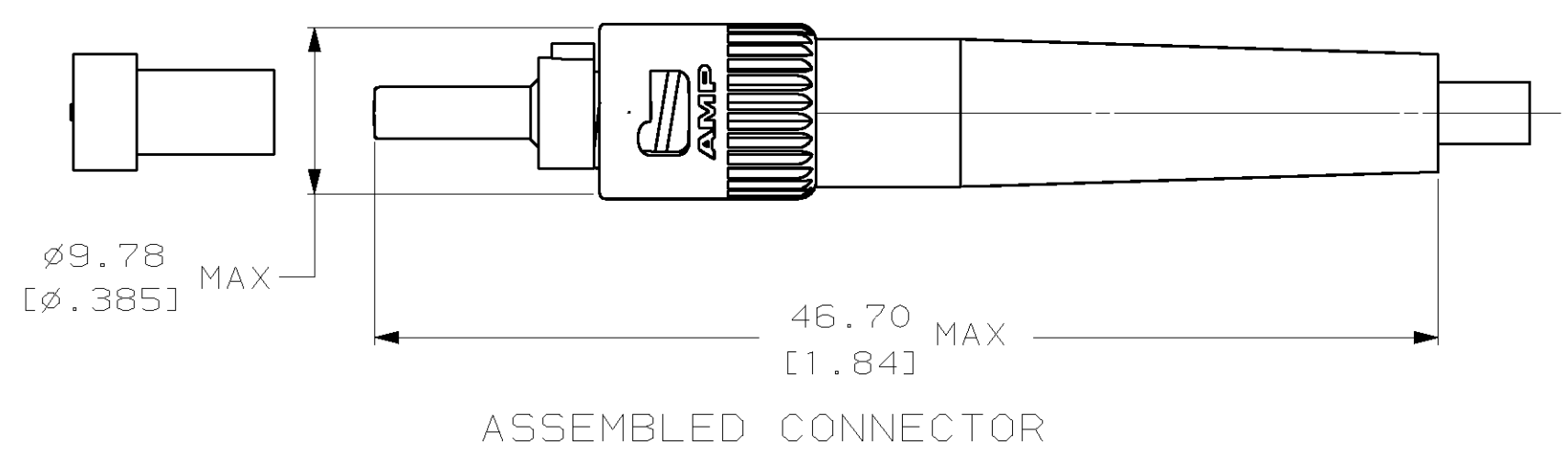
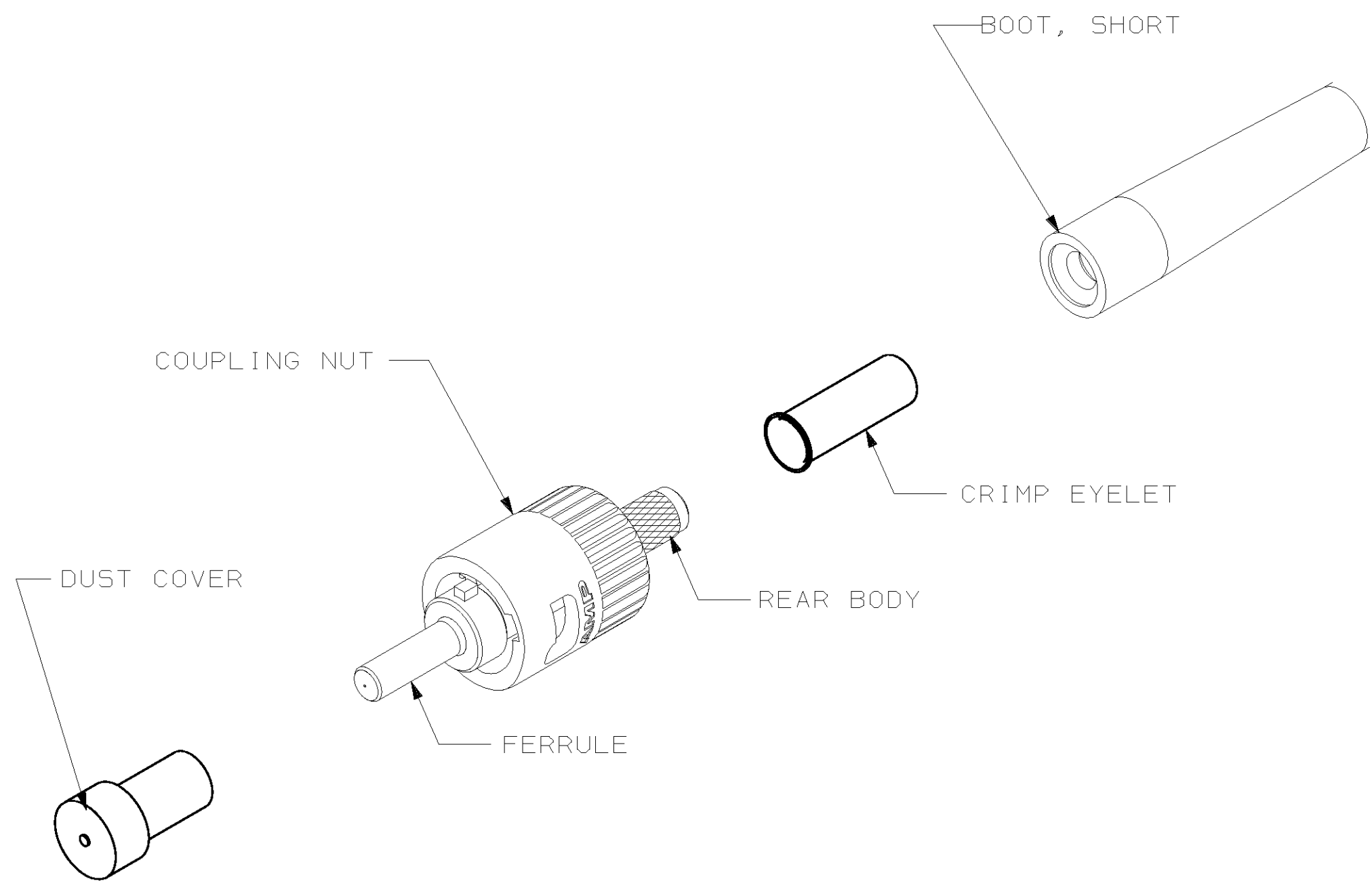


THIS DRAWING IS UNPUBLISHED. RELEASED FOR PUBLICATION, 19
 (C) COPYRIGHT 19 BY AMP INCORPORATED. ALL RIGHTS RESERVED.

LOC	DIST	REVISIONS			
P	LTR	DESCRIPTION	DATE	DWN	APVD
CE	16	D	REV PER 0A00-0447-02	10MAY02	JWD SB



- 1 MATERIAL:
 DUST COVER: POLYOLEFIN, COLOR, BLACK
 FERRULE: CERAMIC, COLOR, WHITE
 COUPLING NUT: THERMOPLASTIC, COLOR, BLACK
 REAR BODY: THERMOPLASTIC, COLOR, BLACK
 CRIMP EYELET: COPPER ALLOY
 SHORT BOOT: POLYOLEFIN
- 2 FINISH:
 CRIMP EYELET: TIN PLATE
3. BULK PACKAGED

BLACK	125±2μm	503569-2
-	125±2μm	503569-1
COLOR SHORT BOOT	FIBER SIZE	PART NUMBER

THIS DRAWING IS A CONTROLLED DOCUMENT.		DWN J W DAVIS 10MAY02	AMP Incorporated Harrisburg, PA 17105-3608	
DIMENSIONS: MM [INCHES]		CHK S BUCHTER 10MAY02		
		APVD S BUCHTER 10MAY02		
TOLERANCES UNLESS OTHERWISE SPECIFIED:		PRODUCT SPEC	CONNECTOR KIT, BAYONET, CERAMIC OVERMOLD	
0 PLC ±-		APPLICATION SPEC	SIZE	RESTRICTED TO
1 PLC ±-			CAGE CODE	
2 PLC ±-			DRAWING NO	
3 PLC ±-			SCALE	
4 PLC ±-			SHEET	
ANGLES ±-			OF	
FINISH		WEIGHT	REV	
1			D	
2		CUSTOMER DRAWING		

503569