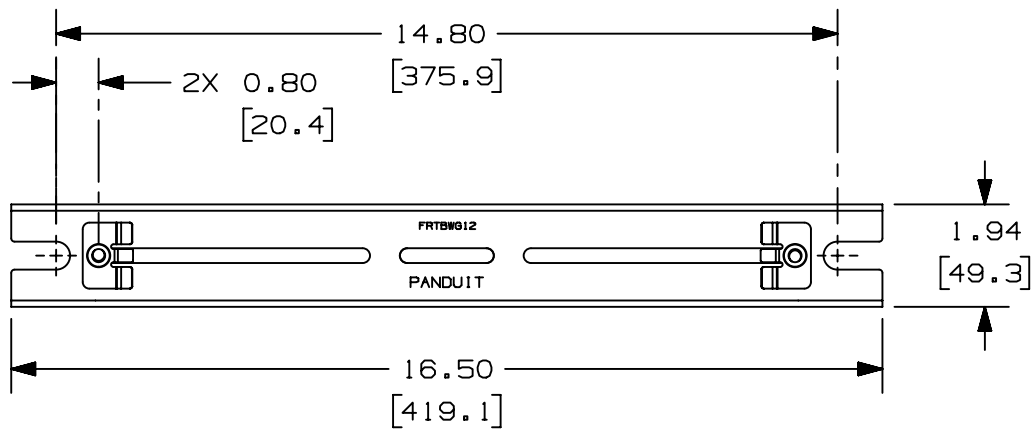


2

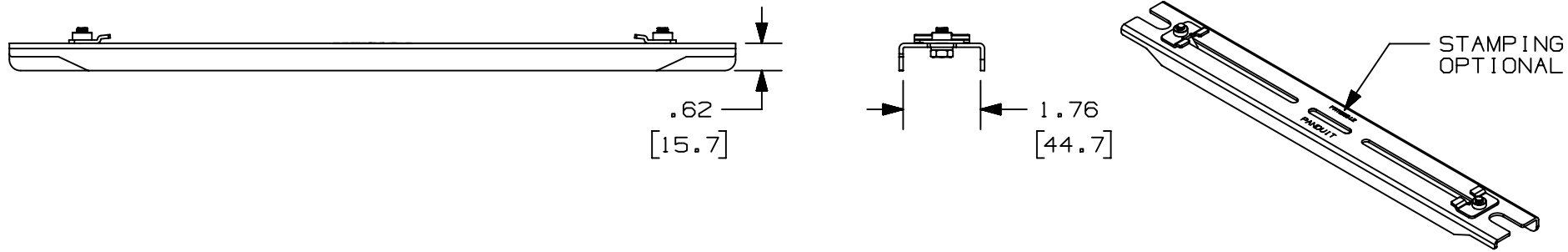
1

THIS COPY IS PROVIDED ON A RESTRICTED BASIS AND IS NOT TO BE USED IN ANY WAY DETRIMENTAL TO THE INTERESTS OF PANDUIT CORP.

PANDUIT PART NUMBER	WEIGHT
FRTBWG12	1.10 LBS/EACH (498.9 g/EACH)



- NOTES:**
- SEE CURRENT CATALOG FOR ADDITIONAL PART SUFFIXES TO INDICATE COLOR AND/OR PACKAGE QUANTITY.
 - THE FIBERRUNNER TRAPEZE BRACKET FOR WYR-GRID 12" PATHWAY INCLUDES: ONE (1) FIBERRUNNER TRAPEZE BRACKET FOR WYR-GRID 12" PATHWAY TWO (2) FIBERRUNNER TRAPEZE BRACKET WYR-GRID CLIP ASSEMBLY.
 - DIMENSIONS IN PARENTHESES ARE METRIC.



A

A

D10100DA/16

REV	DATE	BY	CHK	APR	DESCRIPTION	ECN
02A	9-20-19	LEE	FWI	FWI	C. "STAMPING OPTIONAL" LABEL ADDED SEE PREVIOUS REVISION FOR HISTORY	V09002CN/06

TITLE						
FIBERRUNNER TRAPEZE BRACKET FOR WYR-GRID 12" PATHWAY (FRTBWG12)						
CUSTOMER DRAWING						
ITEM REVISION NAME					PANDUIT	
10D165AE/02						
DATASET FILE NAME						
10D165AE_DC/02A					MATERIAL:	
UNLESS OTHERWISE SPECIFIED, DIMENSIONAL TOLERANCES ARE: IN [mm]					STEEL	
.X ± .01 [.25] .XXX ± ANGLES ±					DRAWING NUMBER:	
					10D165AE-DC	
DRAWN BY		DATE		CHK		SCALE
JAHA		05-05-11		EB		NONE
SHT 1 OF 1					SIZE	
					A	

2

1