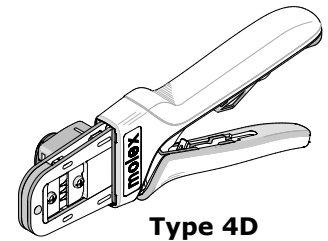




Order No. 63819-0901

## Application Tooling Specification



Type 4D

## FEATURES

- A full cycle ratcheting hand tool ensures complete crimps
- Ergonomic soft grip handles for comfortable crimping
- A precision, user-friendly terminal locator wire stop holds terminals in the proper crimping position
- Right- or left-handed operation
- Dies and locator from this tool can be used in the Battery Powered Tool Order No. 63816-0270 (110 V) or 63816-0280 (220 V), with the use of the 63816-0800 Crimp Head
- This tool is IPC/WHMA-A-620 Class 2 compliant, as indicated on page 3
- Many different tool kits can be used with a single Battery Powered Crimp Tool
- This tool is RoHS compliant; however, RoHS compliance is not required

## SCOPE

**Products:** Mini-Fit Jr. Male and Female Crimp Terminals, 18-24 AWG.

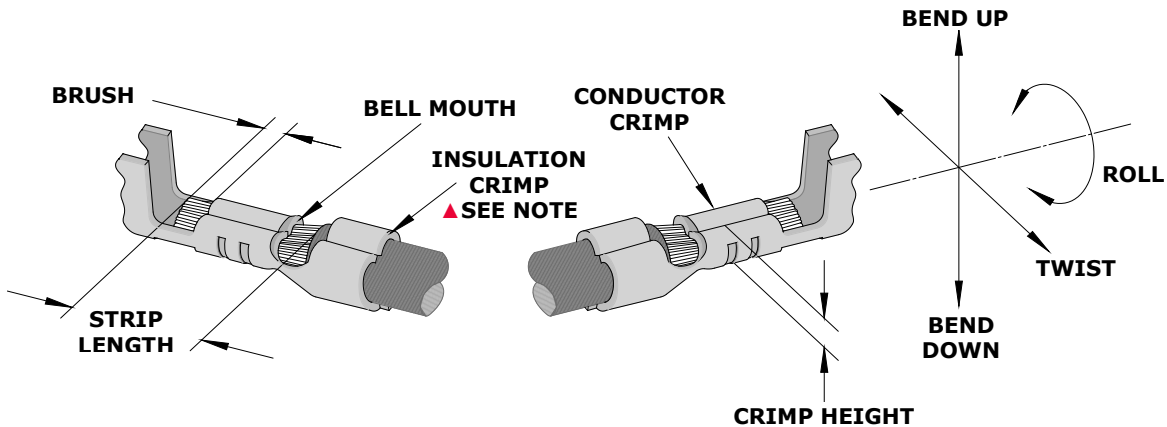
Terminal Series No.	Terminal Order No.				Wire Size		Insulation Diameter Maximum +		Strip Length	
	Loose Piece		* Reel		AWG	mm <sup>2</sup>	mm	In.	mm	In.
5556	39-00-0039	39-00-0182	39-00-0038	39-00-0181	18-24	0.80-0.20	3.1	.122	3.00-3.30	.118-.130
	39-00-0056	39-00-0195	39-00-0055	39-00-0194						
	39-00-0060	39-00-0201	39-00-0059	39-00-0200						
	39-00-0074	39-00-0208	39-00-0073	39-00-0207						
	39-00-0109	39-00-0214	39-00-0108	39-00-0213						
	39-00-0115	39-00-0406	39-00-0114	39-00-0405						
	39-00-0154	39-00-0408	39-00-0153	39-00-0407						
	39-00-0164	39-00-0429	39-00-0163	39-00-0428						
	39-00-0170	39-00-0441	39-00-0169	39-00-0440						
	39-00-0176	40-13-0852	39-00-0175	40-13-0851						
5558	39-00-0041	39-00-0127	39-00-0040	39-00-0126	18-24	0.80-0.20	3.1	.122	3.00-3.30	.118-.130
	39-00-0054	39-00-0220	39-00-0053	39-00-0219						
	39-00-0062	39-00-0431	39-00-0061	39-00-0430						
	39-00-0076	40-13-0854	39-00-0075	40-13-0853						
	39-00-0121		39-00-0120							
30490	30490-1012	30490-2012	30490-1002	30490-9802	18-24	0.80-0.20	3.1	.122	3.00-3.30	.118-.130
			30490-2002	30490-9902						
44476	44476-1112	44476-1212	44476-1111		18-20	0.80-0.50	3.1	.122	3.00-3.30	.118-.130
44478	44478-1112		44478-1111	44478-1211	18-20	0.80-0.50	3.1	.122	3.00-3.30	.118-.130

Hand Crimp Tool For Mini-Fit Jr. Male and Female Crimp Terminals

Terminal Series No.	Terminal Order No.				Wire Size		Insulation Diameter Maximum +		Strip Length	
	Loose Piece		* Reel		AWG	mm <sup>2</sup>	mm	In.	mm	In.
44485	44485-1212	44485-1412	44485-1211	44485-1411	18-24	0.80-0.20	3.1	.122	3.00-3.30	.118-.130
	44485-1312		44485-1311							
45750	45750-1112	45750-1212	45750-1111	45750-1211	18-20	0.80-0.50	3.1	.122	3.00-3.30	.118-.130
46012	46012-1142	46012-1242	46012-1141	46012-1241	18-20	0.80-0.50	3.1	.122	3.00-3.30	.118-.130
				46012-1261						
46018	46018-1542		46018-1541		18-20	0.80-0.50	3.1	.122	3.00-3.30	.118-.130
46083	46083-1112	46083-1212	46083-1111	46083-1211	18-20	0.80-0.50	3.1	.122	3.00-3.30	.118-.130
	46083-1122	46083-1222	46083-1121	46083-1221						
46098	46098-1542		46098-1541		18-20	0.80-0.50	3.1	.122	3.00-3.30	.118-.130

\*Customer to cut off terminals from reel: 0.2mm (.008") maximum cut-off tab.  
 + See conditions on page 3.

**DEFINITION OF TERMS**



The above terminal drawing is a generic terminal representation. It is not an image of a terminal listed in the scope.

**CONDITIONS**

After crimping, the conductor profiles should measure the following:

Terminal Series No.	Wire Size		Conductor Crimp				Insulation Crimp				Pull Force Minimum		+ Profile	
			Height (Ref.)		Width (Ref.)		Height (Ref.)		Width (Ref.)		N	Lb.	18	20-24
	AWG	mm <sup>2</sup>	mm	In.	mm	In.	mm	In.	mm	In.				
5556	18	0.80	1.00-1.10	.039-.043	1.69	.067	2.38	.094	2.68	.106	88.0	19.80	X	
	20	0.50	0.83-0.93	.033-.037	1.64	.065	2.24	.088	2.65	.104	58.7	13.20		X
	22	0.35	0.80-0.90	.031-.035	1.63	.064	2.24	.088	2.61	.103	39.1	8.00		X
	24	0.20	0.78-0.88	.030-.034	1.63	.064	2.21	.087	2.60	.102	29.3	6.60		X
5558	18	0.80	1.00-1.10	.039-.043	1.69	.067	2.38	.094	2.68	.106	88.0	19.80	X	
	20	0.50	0.83-0.93	.033-.037	1.64	.065	2.24	.088	2.65	.104	58.7	13.20		X
	22	0.35	0.80-0.90	.031-.035	1.63	.064	2.24	.088	2.61	.103	39.1	8.00		X
	24	0.20	0.78-0.88	.030-.034	1.63	.064	2.21	.087	2.60	.102	29.3	6.60		X
30490	18	0.80	1.00-1.10	.039-.043	1.69	.067	2.38	.094	2.68	.106	88.0	19.80	X	
	20	0.50	0.83-0.93	.033-.037	1.64	.065	2.24	.088	2.65	.104	58.7	13.20		X
	22	0.35	0.80-0.90	.031-.035	1.63	.064	2.24	.088	2.61	.103	39.1	8.00		X
	24	0.20	0.78-0.88	.030-.034	1.63	.064	2.21	.087	2.60	.102	29.3	6.60		X
44476	18	0.80	1.00-1.10	.039-.043	1.69	.067	2.38	.094	2.68	.106	68.5	15.40	X	
	20	0.50	0.83-0.93	.033-.037	1.64	.065	2.24	.088	2.65	.104	58.7	13.20		X
44478	18	0.80	1.00-1.10	.039-.043	1.69	.067	2.38	.094	2.68	.106	68.5	15.40	X	
	20	0.50	0.83-0.93	.033-.037	1.64	.065	2.24	.088	2.65	.104	58.7	13.20		X
44485	18	0.80	1.00-1.10	.039-.043	1.69	.067	2.38	.094	2.68	.106	68.5	15.40	X	
	20	0.50	0.83-0.93	.033-.037	1.64	.065	2.24	.088	2.65	.104	58.7	13.20		X
	22	0.35	0.80-0.90	.031-.035	1.63	.064	2.24	.088	2.61	.103	39.1	8.00		X
	24	0.20	0.78-0.88	.030-.034	1.63	.064	2.21	.087	2.60	.102	29.3	6.60		X
45750	18	0.80	1.00-1.10	.039-.043	1.69	.067	2.38	.094	2.68	.106	68.5	15.40	X	
	20	0.50	0.83-0.93	.033-.037	1.64	.065	2.24	.088	2.65	.104	58.7	13.20		X
46012	18	0.80	1.00-1.10	.039-.043	1.69	.067	2.38	.094	2.68	.106	68.5	15.40	X	
	20	0.50	0.83-0.93	.033-.037	1.64	.065	2.24	.088	2.65	.104	58.7	13.20		X
46018	18	0.80	1.00-1.10	.039-.043	1.69	.067	2.38	.094	2.68	.106	68.5	15.40	X	
	20	0.50	0.83-0.93	.033-.037	1.64	.065	2.24	.088	2.65	.104	58.7	13.20		X
46083	18	0.80	1.00-1.10	.039-.043	1.69	.067	2.38	.094	2.68	.106	68.5	15.40	X	
	20	0.50	0.83-0.93	.033-.037	1.64	.065	2.24	.088	2.65	.104	58.7	13.20		X
46098	18	0.80	1.00-1.10	.039-.043	1.69	.067	2.38	.094	2.68	.106	68.5	15.40	X	
	20	0.50	0.83-0.93	.033-.037	1.64	.065	2.24	.088	2.65	.104	58.7	13.20		X

+ To achieve IPC/WHMA-A-620 Class 2 crimps, the following overall wire insulation diameter ranges are recommended:

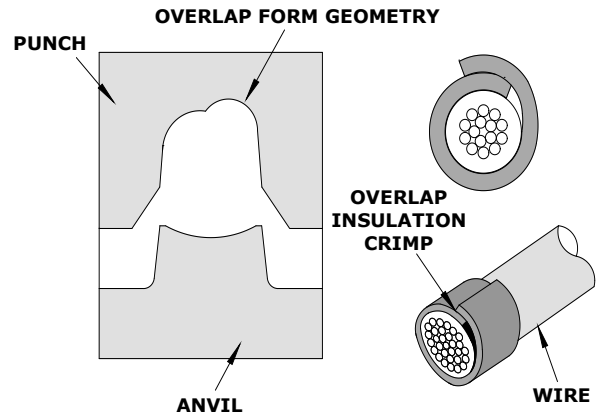
- **18 AWG Profile:** 1.70-2.30mm (.067-.091")
- **20-24 AWG Profile:** 1.70-2.30mm (.067-.091")

**Tool Qualification Notes**

1. (Ref) means that the dimension provided is approximate because of the wide range of wires, conductor stranding, insulation diameter and insulation hardness.
2. An occasional pull force test should be performed. It must exceed the minimum pull force specification.
3. Pull force should be measured with no influence from the insulation crimp. To ensure this, strip the wire long enough so the terminal insulation grips do not contact the wire insulation.

**▲ Insulation Crimp Note**

Due to the terminal’s insulation grip design or insulation diameter range, this tool uses overlap form geometry in the insulation punch. This produces an overlap insulation crimp (A-620-compliant). Although the insulation punch profile may appear lopsided, this is a normal condition for this tool. See figure to the right. (Some tools with multiple crimp pockets may not have the overlap profile on all pockets).



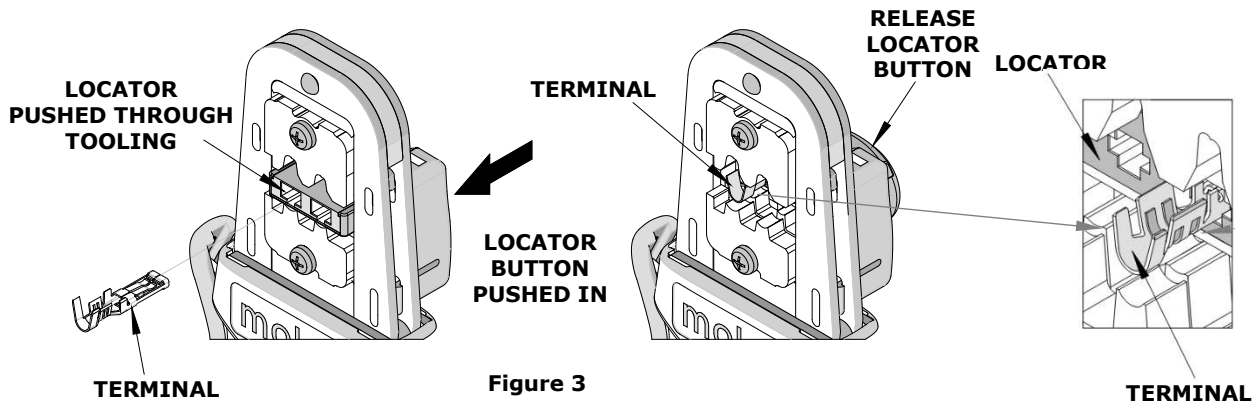
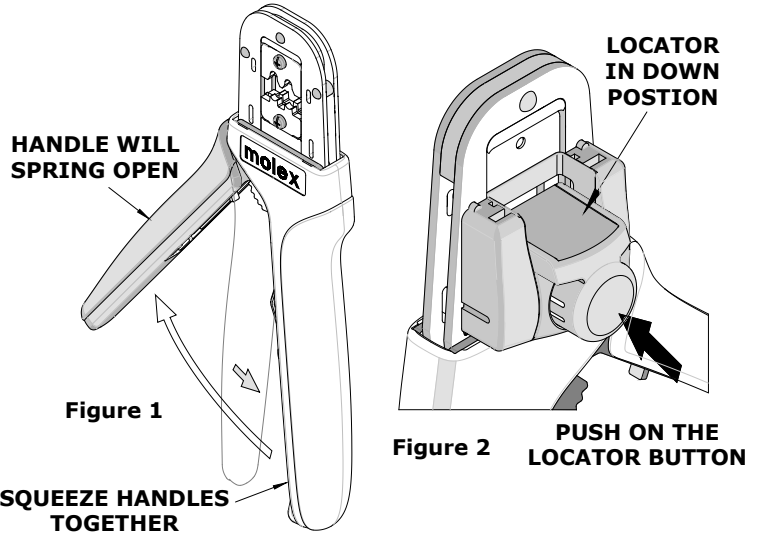
**Note**

A crimp height chart is provided with this document as a reference only. Because of the wide range of wires, strands, insulation diameters and durometers available, actual crimp height measurements may vary slightly. An occasional destructive pull force test should be performed to check hand tool crimp. Pull force value must exceed the minimum pull force specifications listed.

**OPERATION**

**⚠ CAUTION:** Crimp only the Molex terminals listed in the scope for this tool. Do not crimp hardened objects because damage can occur to the tool frame or crimp dies.

Open the tool by squeezing the handles together. At the end of the closing stroke, the ratchet mechanism will release the handles, and the hand tool will spring open. See Figure 1.



## Crimping Terminals

1. Select the desired terminal listed in the preceding charts.
2. Make sure the center of the locator is in the down position. With the locator attached, push the locator button on the back of the hand tool to bring the locator forward through the tooling. See Figure 2.
3. While holding the locator button in, load the terminal into the proper nest opening in the locator based on the wire gauge or terminal type markings on the hand tooling. See Figure 3.
4. Release the locator button, allowing the locator to return to the crimping position.
5. Close the tool handle until the first ratchet position engages. See Figure 4.
6. Insert the properly stripped wire through the terminal and against the wire stop. See Figure 5.
7. Crimp the terminal by squeezing the tool handles until the ratchet mechanism cycle has been completed. Release the handles to open the jaws.

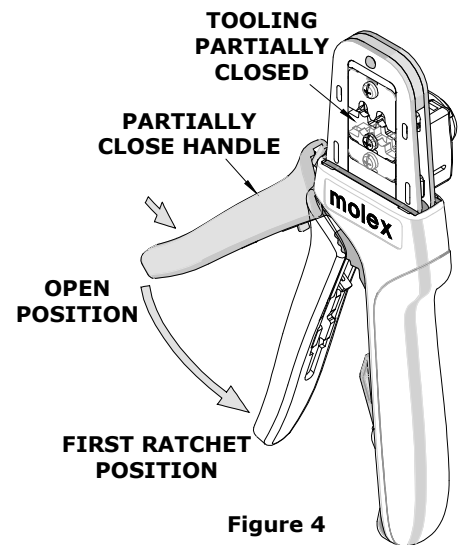


Figure 4

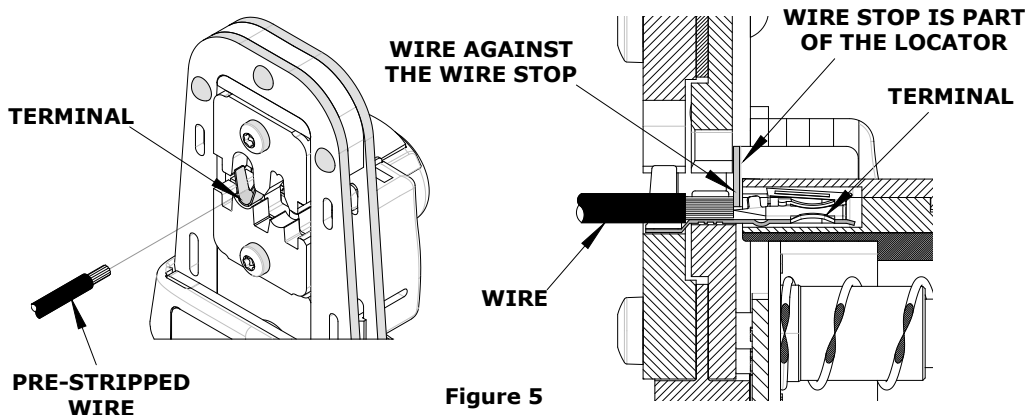


Figure 5

**Note:** The tamper-proof ratchet action will not release the tool until it has been fully closed.

8. Remove the crimped terminal from the terminal locator by pulling on the wire.
9. Visually inspect the crimped terminal for proper crimp location.
10. On some large O.D. wires, it may not be possible to insert the wire with the tool partially closed. Those wires should be inserted with the hand tool in the open position. Insert the wire above the terminal in the punch and against the wire stop, and then close the tool. See Figure 6.

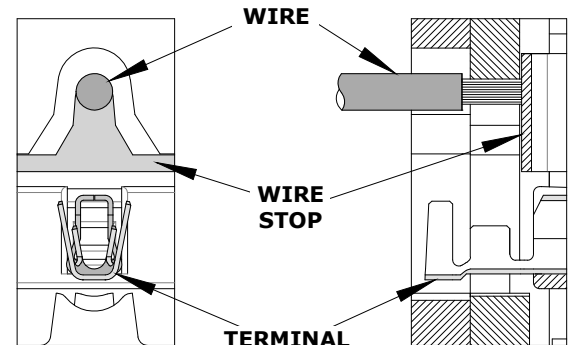


Figure 6

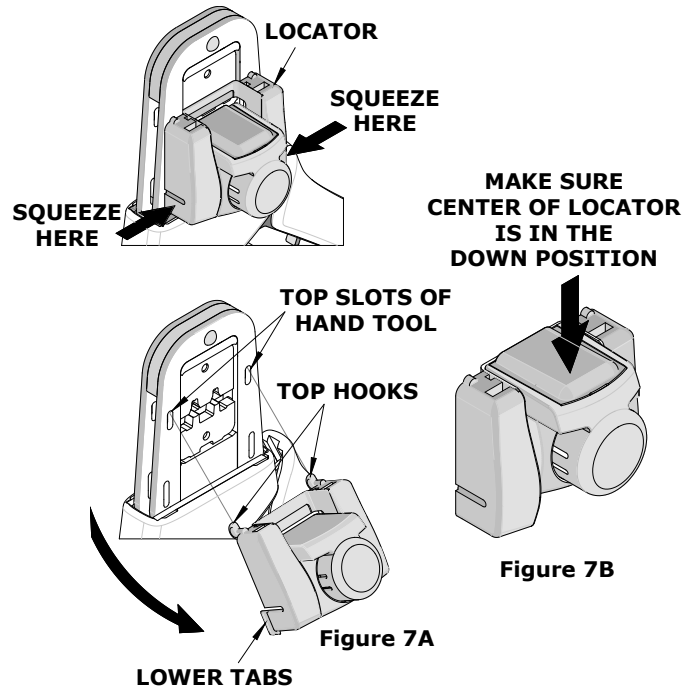
## Locator Replacement

See the parts list on the last page of this document for the proper locator order number. Follow the steps below to replace the locator:

1. Open the crimp hand tool.
2. Gently squeeze on the lower area shown in Figure 7A with your thumb and index finger. The lower tabs of the locator should disengage from the hand tool.

## Hand Crimp Tool For Mini-Fit Jr. Male and Female Crimp Terminals

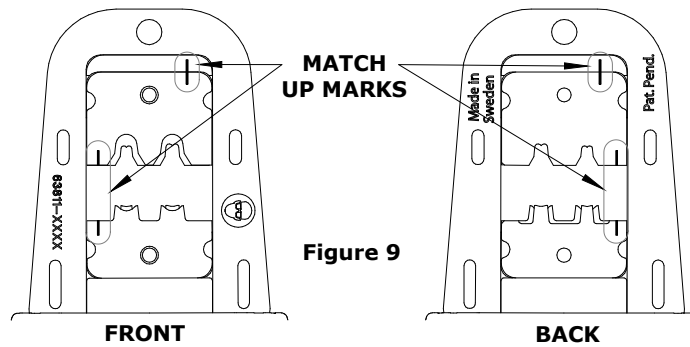
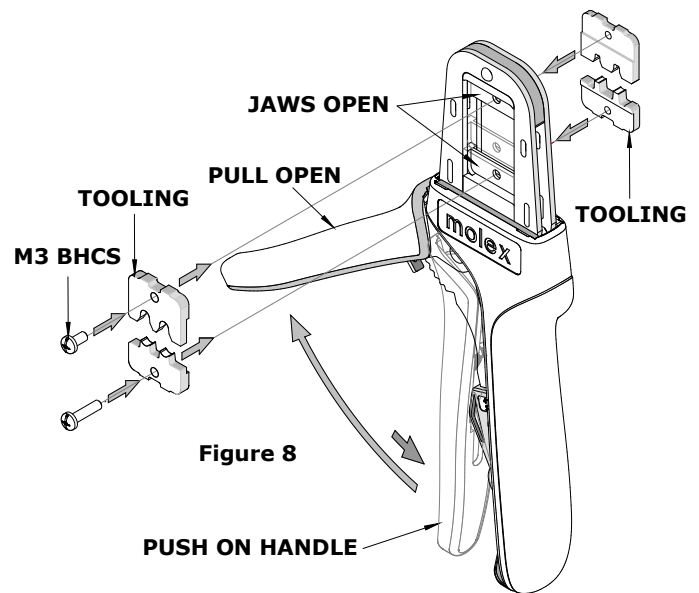
3. Lift and pull the locator away from the hand tool. The top locator hooks should slip out of the top slots easily. See Figure 7A.
4. To reinstall the new locator, make sure the hand tool is in the open position.
5. Press the red insert down as far as it will go as shown in Figure 7B.
6. Holding onto the lower part of the locator with your thumb and index finger, insert the locator's top hooks (2) into the hand tool's top slots.
7. Rotate the locator down, and press the lower tabs into the two bottom slots of the hand tool. To secure the locator into place, the lower tabs must snap into place on the hand tool frame.



### Right or Left Hand Operation

This hand tool has an added feature that can be converted from a right-handed application to a left-handed application. It is necessary to reverse the tooling if using the left-handed application along with the locator. Follow the steps below:

1. The locator must be removed before reversing the tooling.
2. Remove the M3 BHCS, which is holding the upper tooling.
3. Flip the upper tooling to the opposite side, and replace the M3 BHCS. Make sure the small markings on the front and back of the hand tool frame match up and are on the outside of the hand tool frame. See Figures 8 and 9.
4. Do the same thing with the lower tooling, and tighten the M3 screws. Be sure the small markings line up.
5. Reinstall the locator by following the instructions in the locator replacement section.



## MAINTENANCE

It is recommended that each operator of the tool be made aware of and responsible for the following maintenance steps:

1. Remove dust, moisture and other contaminants with a clean brush or a soft, lint-free cloth.
2. Do not use any abrasive materials that could damage the tool.
3. Make certain all pins, pivot points and bearing surfaces are protected with a thin coat of high-quality machine oil. Do not oil excessively. The tool was engineered for durability, but like any other equipment, it needs cleaning and lubrication for a maximum service life of trouble-free crimping. Light oil (such as 30 weight automotive oil) used at the oil points every 5,000 crimps or 3 months will significantly enhance the tool life.
4. Wipe excess oil from the hand tool, particularly from the crimping area. Oil transferred from the crimping area onto certain terminations may affect the electrical characteristics of an application.
5. When the tool is not in use, keep the handles closed to prevent objects from becoming lodged in the crimping dies, and store the tool in a clean, dry area.

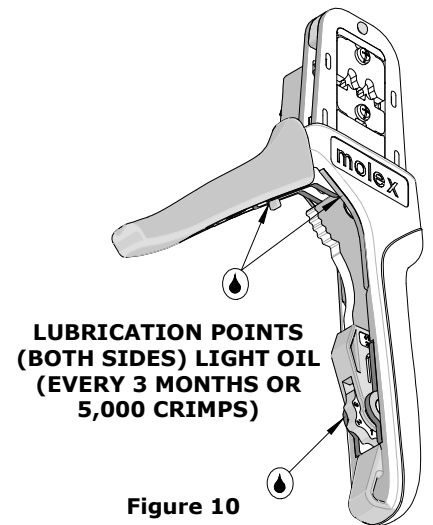


Figure 10

### Miscrimps or Jams

Should this tool ever become stuck or jammed in a partially closed position, **Do Not force the handles open or closed.** The tool will open easily by pressing up on the ratchet release lever in the movable handle. See Figure 11.

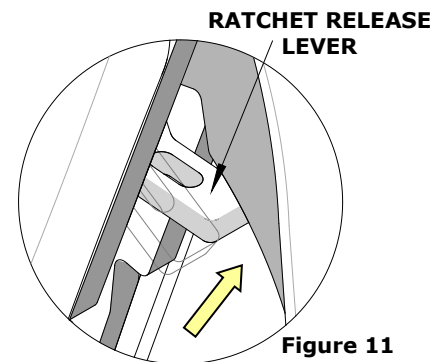


Figure 11

### How to Adjust Tool Preload (See Figure 12)

This hand tool is factory preset to 25-45 pounds preload. It may be necessary over the life of the tool to adjust tool handle preload force. Listed below are the steps required to adjust the crimping force of the hand tool to obtain proper crimp conditions:

1. Hold the hand tool in the palm of your hand as shown in Figure 12. Using your index finger, squeeze the link toward the top of the hand tool frame. This will release the preload adjustment wheel.
2. Rotate the setting wheel counterclockwise (CCW) to increase handle force. The numbers will display higher. To decrease handle force, rotate the setting wheel clockwise (CW).
3. Release the link to lock the setting wheel in place.
4. Check the crimp specifications, or conduct a pull test after tool handle preload force is adjusted.

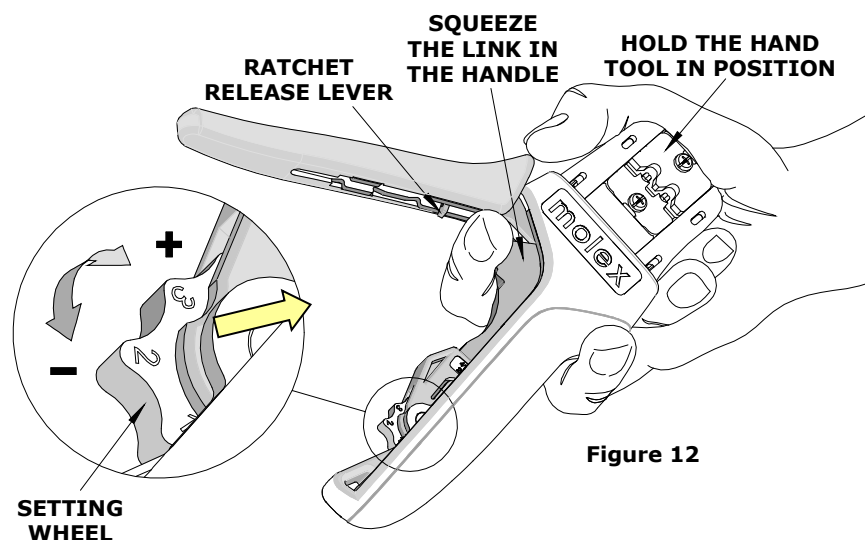


Figure 12

## Warranty

This tool is for electrical terminal crimping purposes only. This tool is made of the best quality materials. All vital components are long-life tested. All tools are warranted to be free of manufacturing defects for a period of 30 days. Should such a defect occur, Molex will repair or exchange the tool free of charge. This repair or exchange will not be applicable to altered, misused or damaged tools. This tool is designed for hand use only. Any clamping, fixturing or use of handle extensions voids this warranty.

**CAUTION:** Molex crimp specifications are valid only when used with Molex terminals and tooling.

## CAUTIONS:

1. Manually powered hand tools are intended for low-volume use or field repair. This tool is **NOT** intended for production use. Repetitive use of this tool should be avoided.
2. Insulated rubber handles are not protection against electrical shock.
3. Wear eye protection at all times.
4. Use only the Molex terminals specified for crimping with this tool.

## Certification

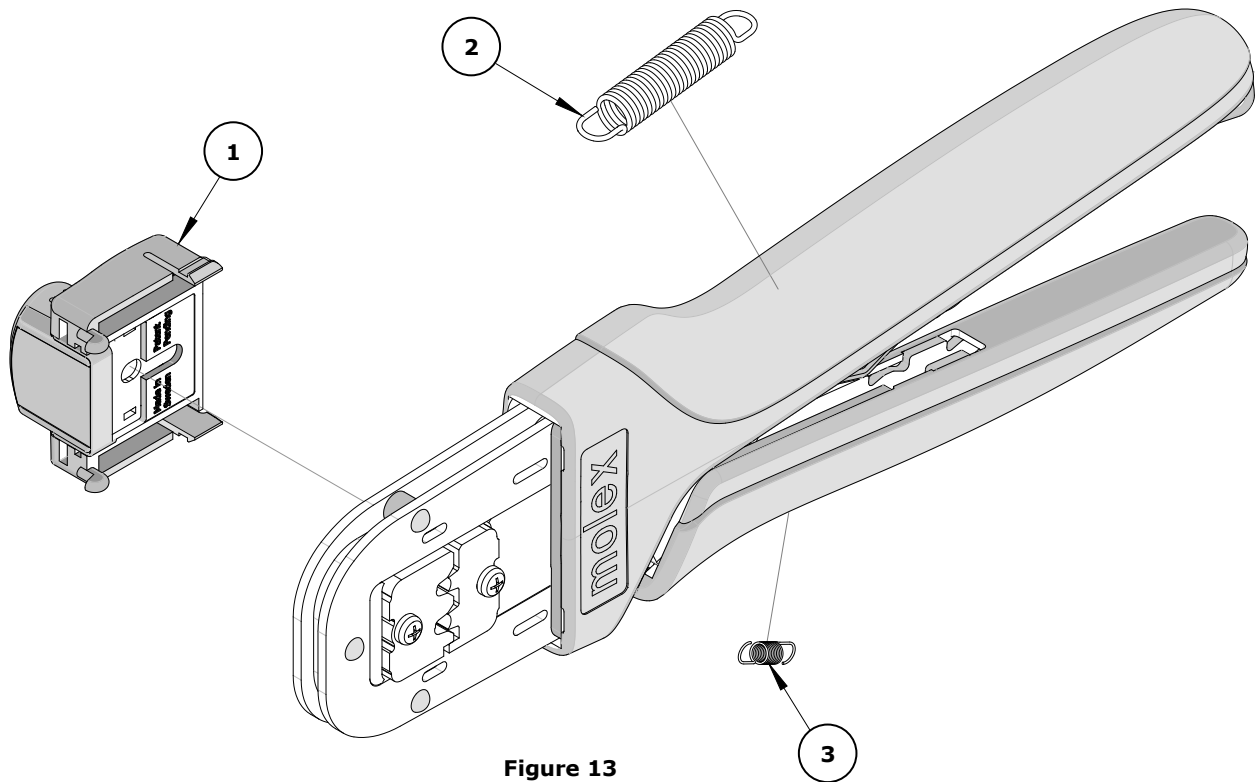
Molex does not certify or re-certify hand tools but rather supplies the following guidelines for customers to re-certify hand tools:

- This tool is qualified to pull force only. See the Molex website for the Quality Crimp Handbook for more information on pull testing.
- If the tool does not meet minimum pull force values, handle preload should be increased, and the pull test should be rerun (See How to Adjust Preload).
- When the hand tool is no longer capable of achieving minimum pull force, it should be taken out of service and replaced.



**PARTS LIST**

Item Number	Order Number	Description	Quantity
REF	63819-0901	Hand Crimp Tool	Figure 13
1	63819-0975	Locator Assembly	1
2	63810-0104	Spring, Return	1
3	63810-0105	Spring, Ratchet	1



**Figure 13**

**Application Tooling Support**

**Phone:** (402) 458-TOOL (8665)

**E-Mail:** [toolingsupport@molex.com](mailto:toolingsupport@molex.com)

**Website:** [www.molex.com/applicationtooling](http://www.molex.com/applicationtooling)

Molex is a registered trademark of Molex, LLC in the United States of America and may be registered in other countries; all other trademarks listed herein belong to their respective owners.