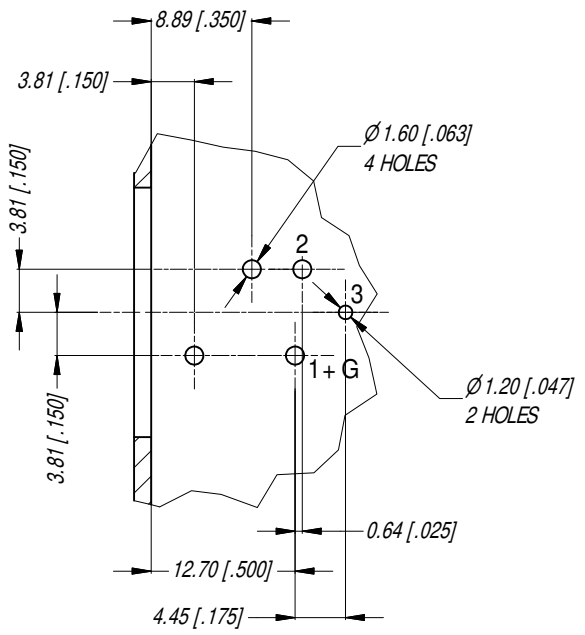


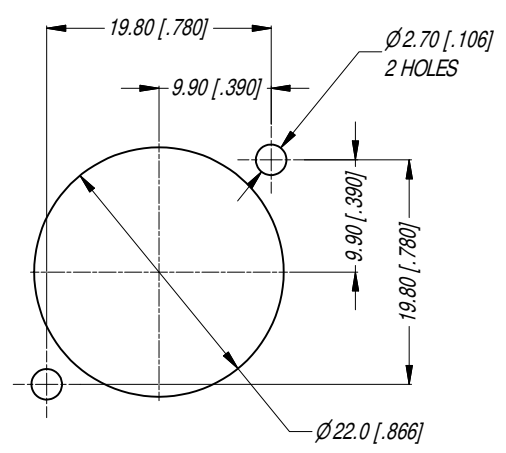
MIN MOUNTING PITCH (1:1)



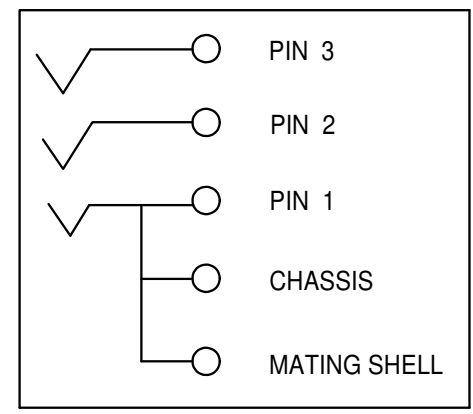
PCB LAYOUT

TOLERANCE : ± 0.05 [.002 in]
NOTE: DIMS IN PARENTHESES ARE IN INCHES

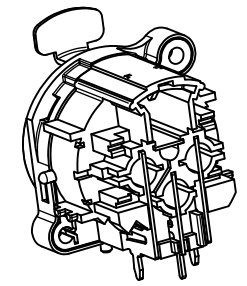
NOTE: SUFFIX "B" IN THE PART No. INDICATES BULK PACK.



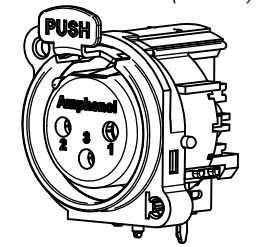
PANEL CUT OUT
REAR VIEW



SCHEMATIC CHART



3D VIEW (1:1)



REV	DESCRIPTION	DATE	BY	CHG NO
2	ADD SUFFIX B TO PART No	27/08/15	T.N	9318
1	CHANGE NEW PUSH LEVER & LATCH SPRING	18/12/08	A.O	8793
0	FIRST ISSUE	18/04/07	T.N	8686

UNLESS OTHERWISE SPECIFIED TOLERANCE TO BE:		THIS DOCUMENT IS THE PROPERTY OF AMPHENOL AUSTRALIA PTY. LTD. NO PART THEREOF MAY BE REPRODUCED AND USED WITHOUT THE PRIOR WRITTEN CONSENT OF THE OWNER			
LINEAR	ANGULAR	CAD FILE	DRN:	DATE:	
X ±	X° ± 1	55010487000221	T.N	17/04/07	
X.X ±	X.X° ± 30°	MATL:	P.M	DATE:	07/04/09
X.XX ±	X.XX° ± 15°	DO NOT SCALE	FINISH:	P.M	DATE:
BREAK ALL SHARP EDGES AND REMOVE ALL BURRS		APP'D:	P.M	DATE:	07/04/09
DIMENSIONS IN MILLIMETRES		SCALE:	3:2	PART No:	AC3FBH1-AU-B

TITLE:		Amphenol	
XLR FEMALE B TYPE CONNECTOR		Amphenol Australia Pty.Ltd. 2 Fiveways Blvd. Keysborough, Vic3173	
CUSTOMER DWG		DRAWING NO.	SHEET
SIZE: A4		55010487-000-2	2/2