

REVISIONS						
P	F	ZONE	LTR	DESCRIPTION	DATE	APPROVED
✓	✓		G1	REVISED PER ECO-11-005294	11APR11	HMR

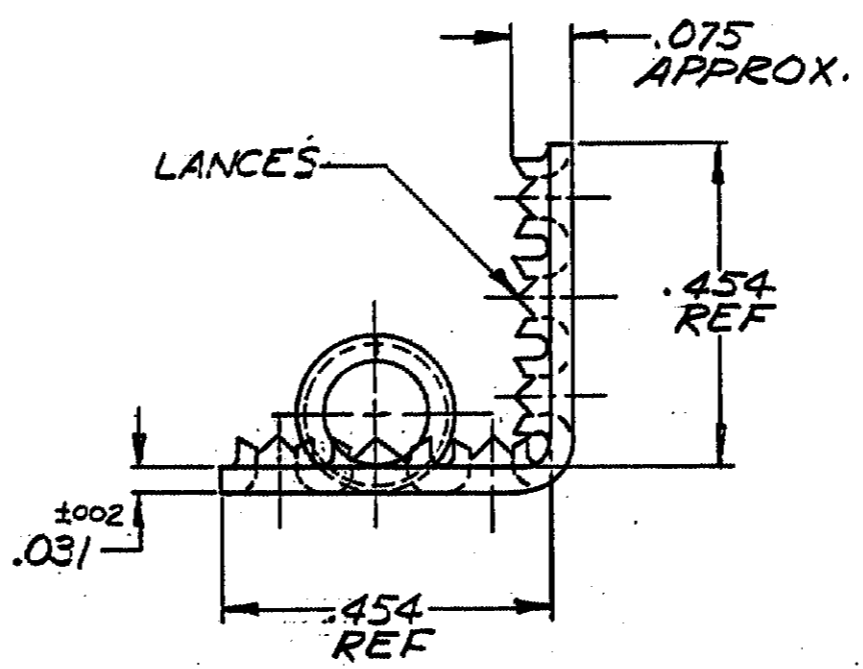
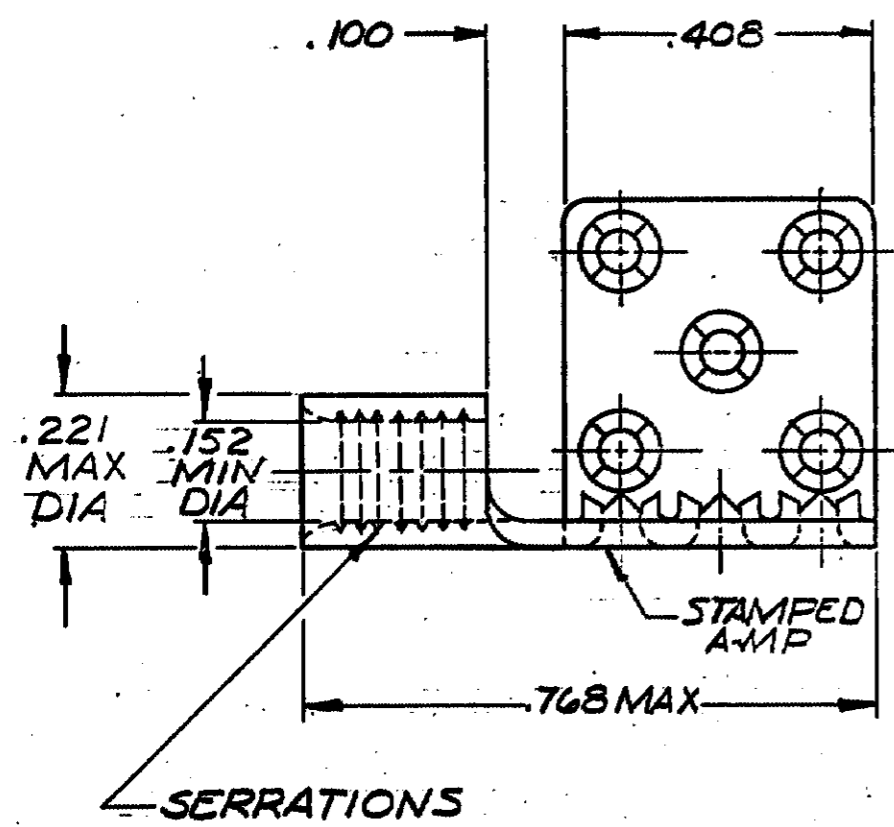


TABLE I

COPPER (QQ-C-576) ANNEALED FINISH: SEE TABLE II	2-329254-4 329254
MATERIAL & FINISH	PART NO

TABLE II

2-329254-4	TIN PL (MIL-T-10727)
329254	BRIGHT NICKEL PL (QQ-N-290).0002MIN EXT. THK
PART NO.	FINISH

UNLESS OTHERWISE SPECIFIED DIMENSIONS ARE IN INCHES. TOLERANCES ON: DECIMALS ±.008 ANGLES ± 5°	CONTRACT NO	TE Connectivity	
	DR	10-26-73	NAME
	CHK	10-26-73	WIRE TERMINAL
	APPD	10-29-73	TERMI-FOIL-SOLISTRAND-DOUBLE FACE
MATERIAL	APPD	10-29-73	WIRE SIZE 12-10
SEE TABLE I	DSGN APPD	SIZE	CODE IDENT NO
FINISH	OTHER APPD	B	00779
SEE TABLE I		SCALE	NUMBER
		4:1	329254
			SHEET 1 OF 1