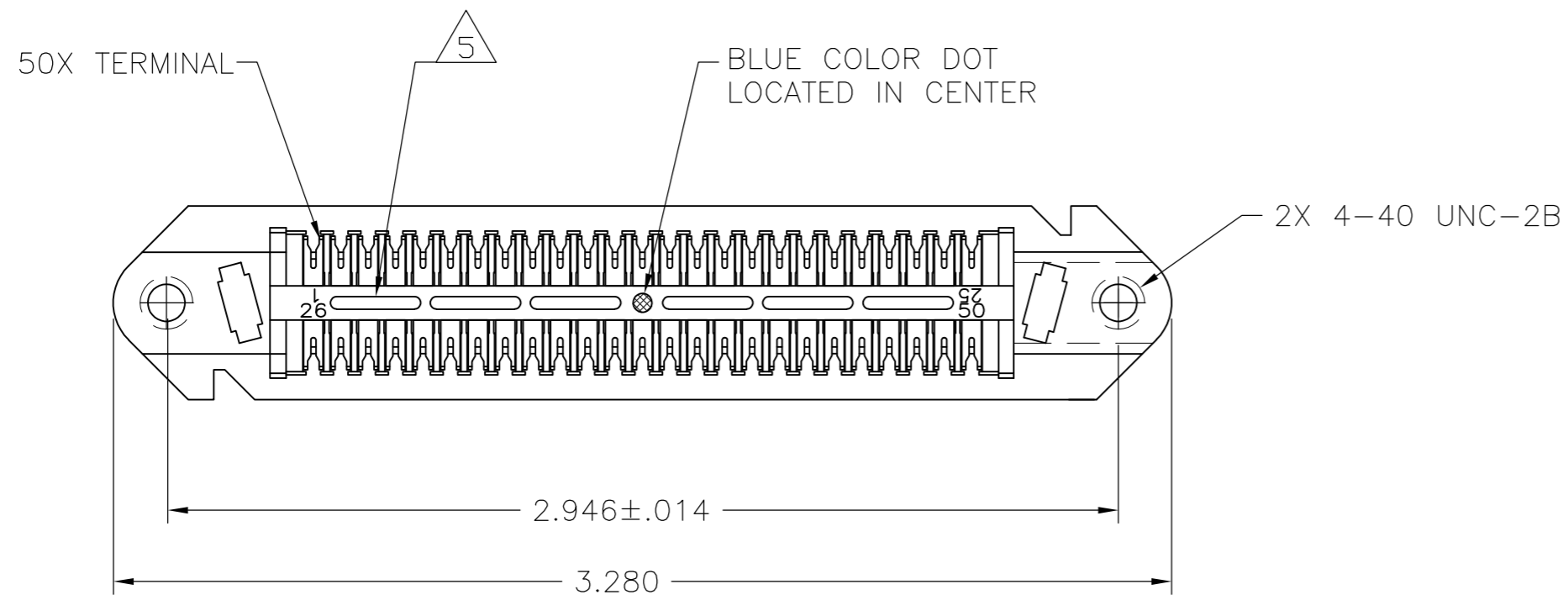


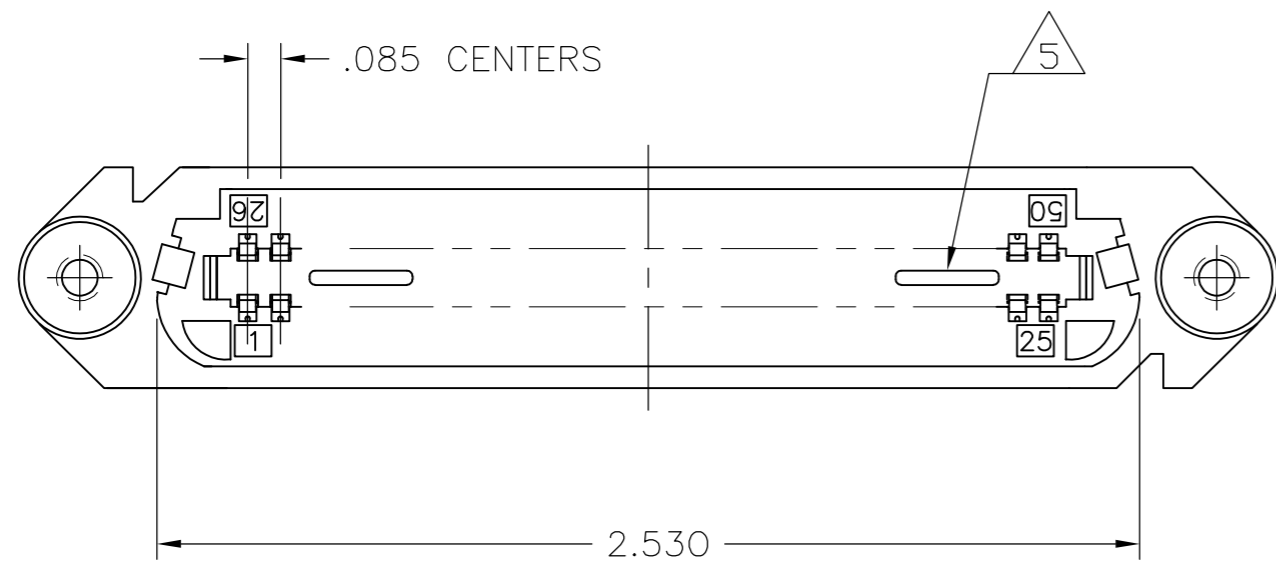
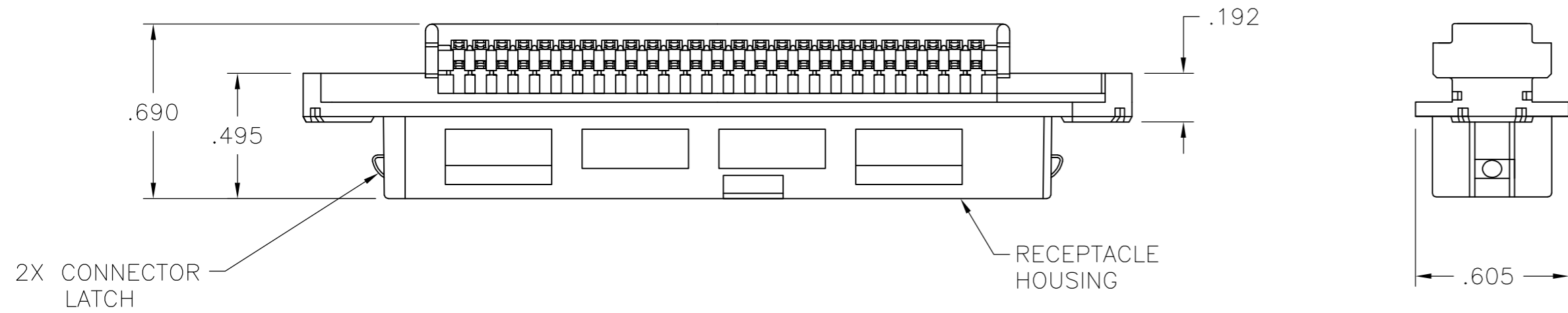
THIS DRAWING IS UNPUBLISHED. RELEASED FOR PUBLICATION
 © COPYRIGHT BY TYCO ELECTRONICS CORPORATION. ALL RIGHTS RESERVED.

LOC	DIST	REVISIONS					
GP	00	P	LTR	DESCRIPTION	DATE	DWN	APVD
		B		REVISED PER ECO-08-007327	02OCT08	BM	WM



1. THE CONTACT SURFACES OF THE TERMINALS ARE COATED WITH LUBRICANT.
2. ALL DIMENSIONS SHOWN ARE MAXIMUM UNLESS OTHERWISE SPECIFIED.
3. MATERIAL:
 HOUSING: POLYPHENYLENE, COLOR: BLACK.
 TERMINAL: PHOSPHOROUS BRONZE PLATED WITH .000030 MIN GOLD OR GOLD FLASH OVER PALLADIUM NICKEL PLATE, .000030 MIN TOTAL ON MATING SURFACE. .000050 MIN NICKEL UNDERPLATE OVER ENTIRE TERMINAL.
 LATCH: ZINC PLATED CARBON STEEL.
4. WIRE SIZE: 24 & 26 AWG SOLID OR 24 AWG 7 STRANDS OF COPPER CONDUCTORS. MAXIMUM INSULATION DIAMETER OF .045 IS ACCEPTABLE FOR MOST APPLICATIONS.

CORING MAY OR MAY NOT APPEAR AND IS AT THE DISCRETION OF AMP.



5553921-1
 PART NUMBER

THIS DRAWING IS A CONTROLLED DOCUMENT.		DWN B. MCMASTER	05OCT05	Tyco Electronics Corporation Harrisburg, PA 17105-3608
DIMENSIONS: INCHES		CHK W. MILLHIMES	05OCT05	
TOLERANCES UNLESS OTHERWISE SPECIFIED:		APVD W. MILLHIMES	05OCT05	NAME RECEPTACLE ASSEMBLY, 50 POSITION, B SLOT, CHAMP-LOK, WITH INTEGRAL LOCKING LATCH
0 PLC ± - 1 PLC ± - 2 PLC ± - 3 PLC ± - 4 PLC ± - ANGLES ± -		PRODUCT SPEC		SIZE A2
MATERIAL		APPLICATION SPEC		CAGE CODE 00779
FINISH		WEIGHT	-	DRAWING NO C=5553921
CUSTOMER DRAWING		SCALE	2:1	RESTRICTED TO -
		SHEET	1 of 1	REV B

5553921