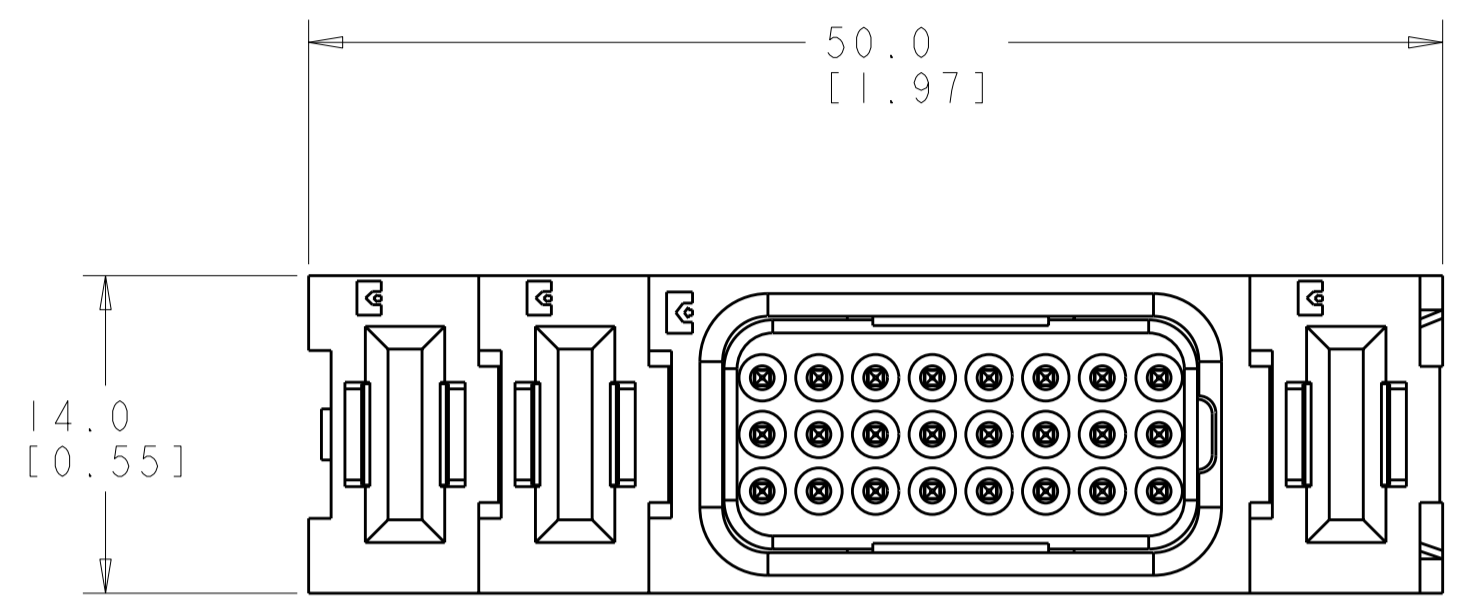


THIS DRAWING IS UNPUBLISHED. RELEASED FOR PUBLICATION 20
 © COPYRIGHT 20 BY TYCO ELECTRONICS CORPORATION. ALL RIGHTS RESERVED.

LOC		DIST		REVISIONS			
P	LTR	DESCRIPTION	DATE	DWN	APVD		
GP	00	A	RELEASED	16JAN2007	RG	PD	
		B	REV PER ECO-11-020831	12SEP2011	RG	MS	

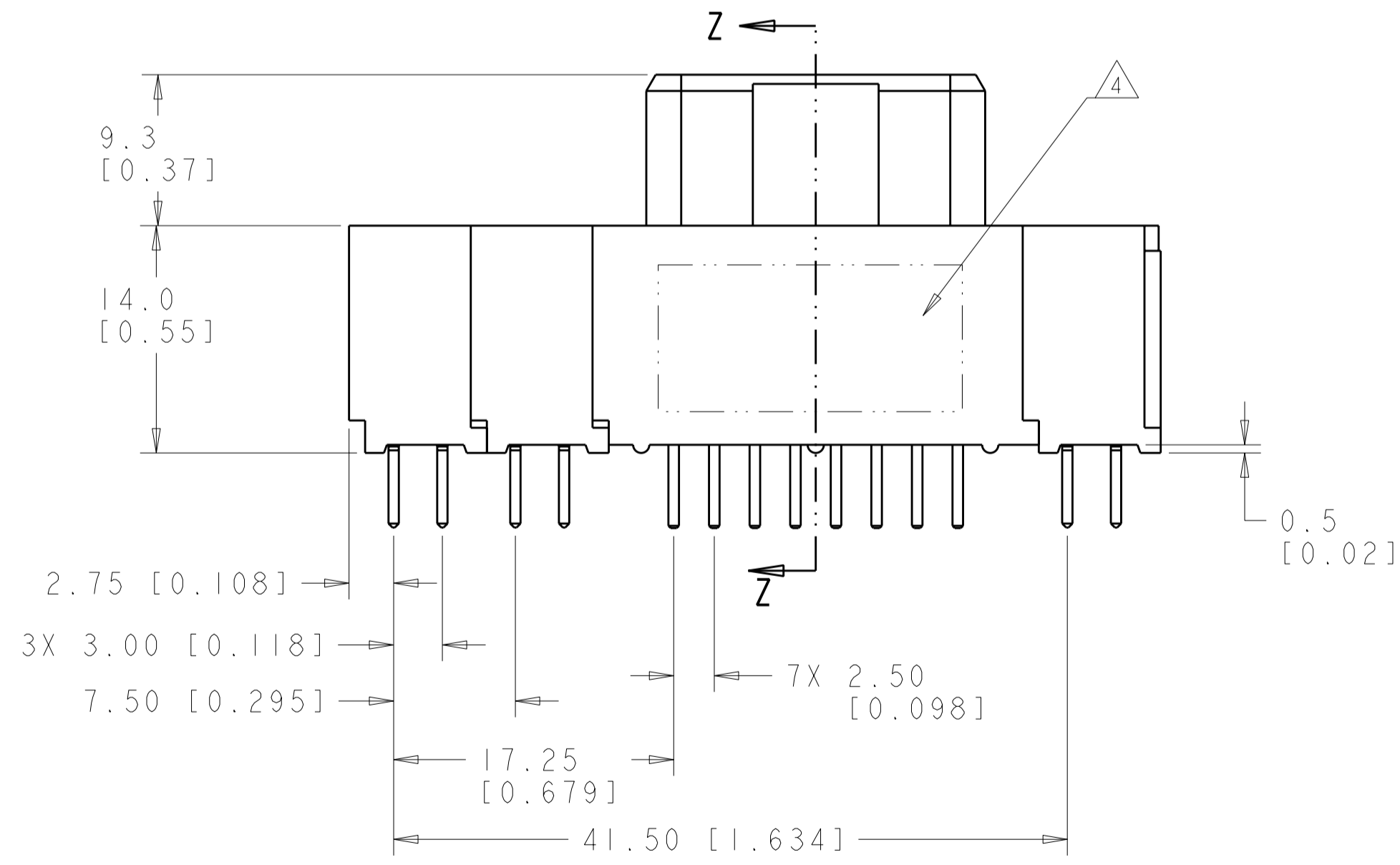
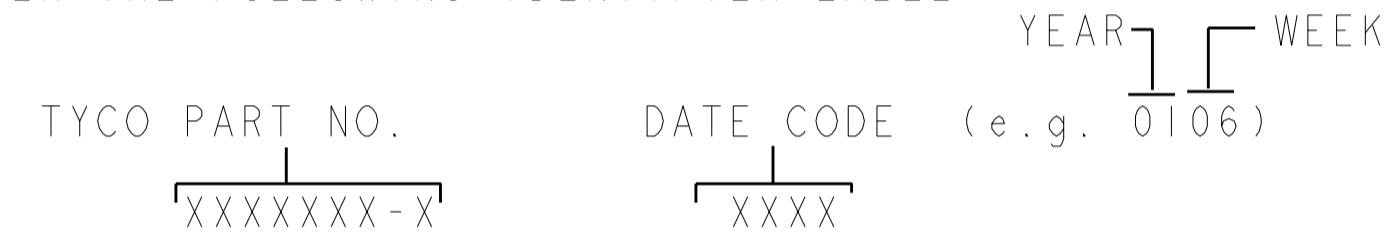


1. PART NUMBER CHANGES AND OR DESIGN CHANGES AFFECTING ITEM INTERCHANGEABILITY REQUIRE PRIOR TYCO APPROVAL AND AUTHORIZATION BY REVISION TO THIS DRAWING.

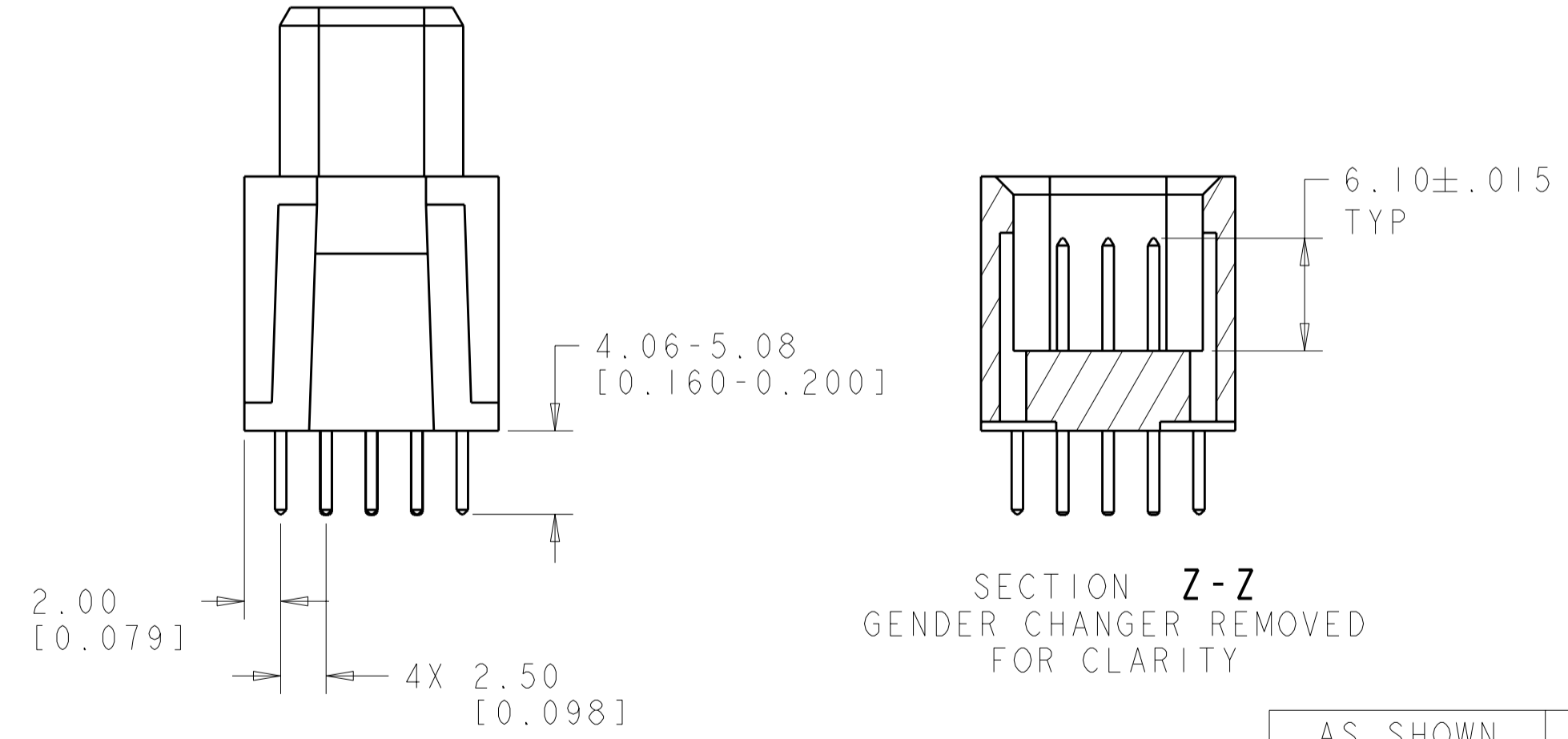
2. MATERIAL:
 INSULATORS - THERMOPLASTIC, GLASS REINFORCED, COLOR: BLACK, UL94V-0 FLAMMABILITY RATED.
 POWER CONTACTS - PHOSPHOR BRONZE ALLOY, COPPER ALLOY
 SOLDER SIGNAL PINS-BRASS ALLOY
 CROWN BAND-BERYLLIUM COPPER ALLOY

3. FINISH:
 CONTACTS - GOLD PLATE .000030" MIN. THK., OVER NICKEL .000050" MIN. THK
 SOLDER TAILS, TIN .000100" MIN. THK. OVER NICKEL .000050" MIN THK.

△ ITEMS PROVIDED TO THIS SPECIFICATION TO BE PERMANENTLY IDENTIFIED PER THE FOLLOWING IDENTIFIER LABEL



5. CONNECTOR MATES WITH TYCO PART NO. 1926352-1



SECTION Z-Z
 GENDER CHANGER REMOVED FOR CLARITY

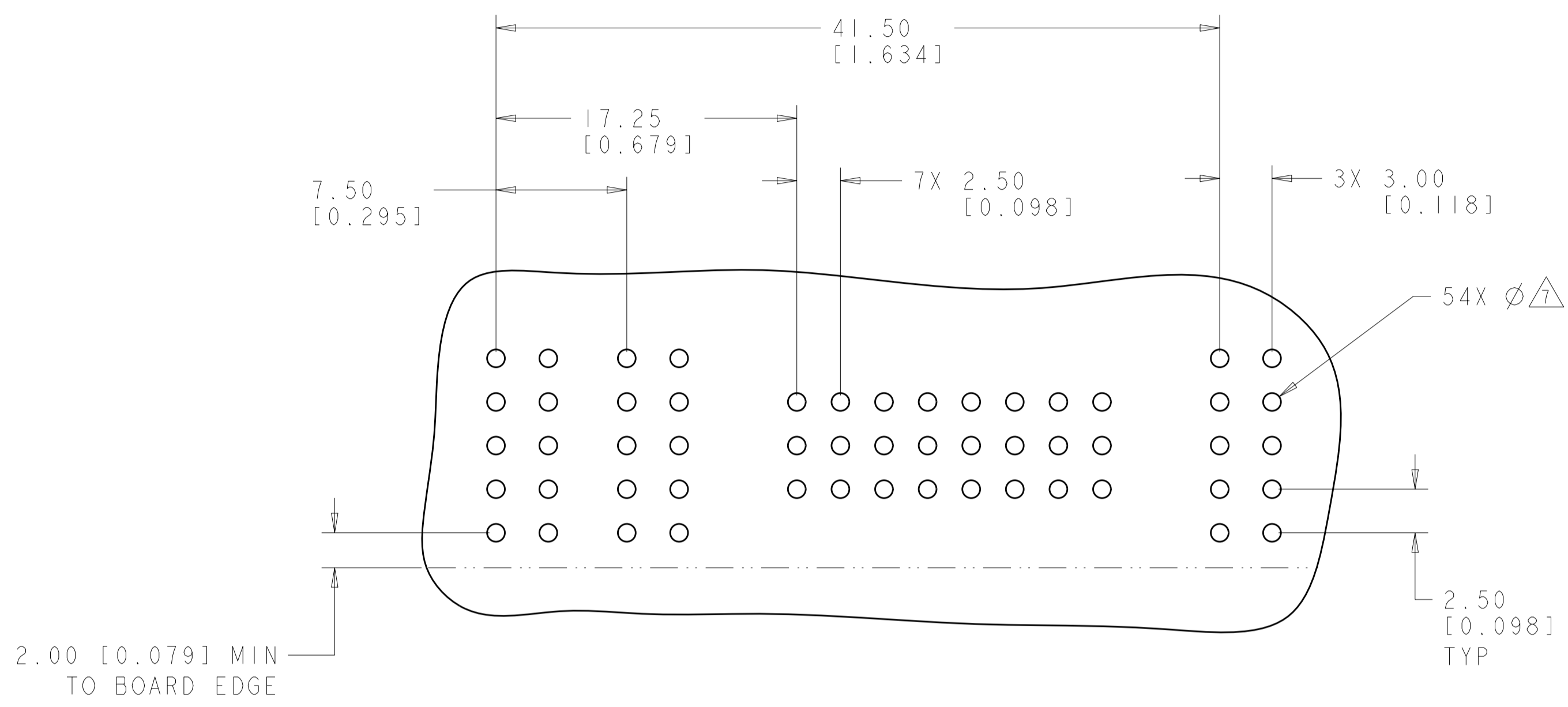
AS SHOWN	1926353-1
DESCRIPTION	PART NUMBER

ELCON FLATPAQ

THIS DRAWING IS A CONTROLLED DOCUMENT FOR TYCO ELECTRONICS CORPORATION. IT IS SUBJECT TO CHANGE AND THE CONTROLLING ENGINEERING ORGANIZATION SHOULD BE CONTACTED FOR THE LATEST REVISION.		DWN R. GRZYBOWSKI 04JAN2007	tyco Tyco Electronics Harrisburg, PA 17105-3608	
DIMENSIONS: mm		CHK P. DAMATO 04JAN2007	NAME STRAIGHT SOCKET CONNECTOR SOLDER TAILS FLATPAQ	
TOLERANCES UNLESS OTHERWISE SPECIFIED: 0 PLC ±.5 [.020] 1 PLC ±.25 [.010] 2 PLC ±.25 [.010] 3 PLC ±. 4 PLC ±. ANGLES ±.5 FINISH		APVD S. FLICKINGER 04JAN2007	SIZE CAGE CODE DRAWING NO RESTRICTED TO A200779C-1926353	
MATERIAL		PRODUCT SPEC	SCALE 3:1 SHEET 1 OF 3 REV B	
		APPLICATION SPEC		
		WEIGHT		
		CUSTOMER DRAWING		

THIS DRAWING IS UNPUBLISHED. RELEASED FOR PUBLICATION 20
 © COPYRIGHT 20 BY TYCO ELECTRONICS CORPORATION. ALL RIGHTS RESERVED.

LOC	DIST	REVISIONS					
GP	00	P	LTR	DESCRIPTION	DATE	DWN	APVD
		-		SEE SHEET 1			



CONNECTOR	EQUIVALENT CATALOG MODULE #	MODULE QTY	CONTACT QTY	SIZE NO.	MATING PIN	MAX. CURRENT (PER CONTACT)	CONTACT SPACING	VOLTAGE RATING
SOCKET	FP100	3	6	8	1.25 X 7.00 [.049 X .276]	35 amps	7.50 [.2953]	250
	FP301	1	24	22	.64 [.025] SQ.	3 amps	2.50 [.0984]	125

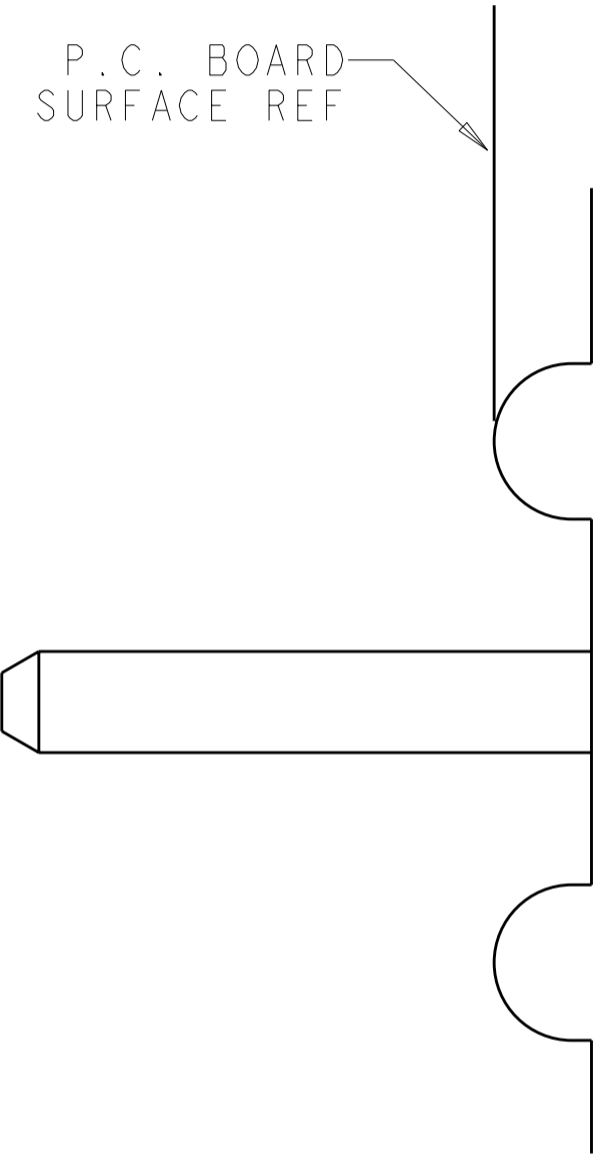
ELCON FLATPAQ

THIS DRAWING IS A CONTROLLED DOCUMENT FOR TYCO ELECTRONICS CORPORATION. IT IS SUBJECT TO CHANGE AND THE CONTROLLING ENGINEERING ORGANIZATION SHOULD BE CONTACTED FOR THE LATEST REVISION.

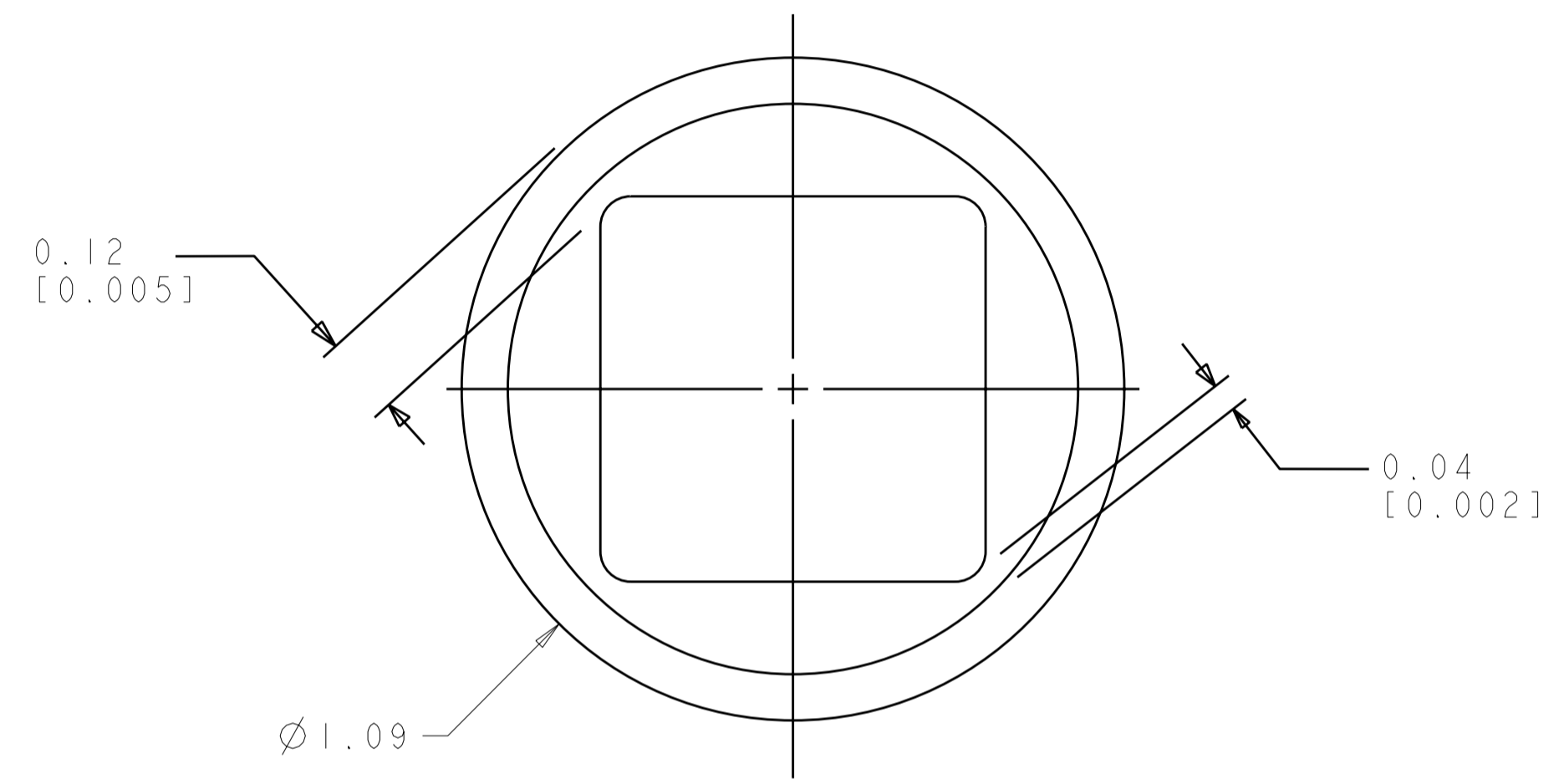
DWN	R. GRZYBOWSKI	04 JAN 2007	Tyco Electronics Harrisburg, PA 17105-3608			
CHK	P. DAMATO	04 JAN 2007				
APVD	S. FLICKINGER	04 JAN 2007				
NAME	STRAIGHT SOCKET CONNECTOR SOLDER TAILS FLATPAQ					
DIMENSIONS:	mm	TOLERANCES UNLESS OTHERWISE SPECIFIED:	SIZE	CAGE CODE	DRAWING NO.	RESTRICTED TO
		0 PLC ±.5 [.020]	A2	00779	C-1926353	-
		1 PLC ±.25 [.010]	SCALE	3:1	SHEET	2 OF 3
		2 PLC ±.25 [.010]			REV	B
		3 PLC ±.	CUSTOMER DRAWING			
		4 PLC ±.				
MATERIAL		ANGLES ±.5				
		FINISH				

THIS DRAWING IS UNPUBLISHED. RELEASED FOR PUBLICATION 20
 © COPYRIGHT 20 BY TYCO ELECTRONICS CORPORATION. ALL RIGHTS RESERVED.

LOC	DIST	REVISIONS			
P	LTR	DESCRIPTION	DATE	DWN	APVD
GP	00	-	SEE SHEET 1	-	-



6. SOLDER PIN DETAIL
SCALE 10:1



△ SOLDER TERMINATION AREA
 SCALE 40:1
 RECOMMENDED PRINTED CIRCUIT SOLDER HOLE
 FINISHED HOLE: Ø1.02 [0.040] ±.08 [.003]
 DRILLED HOLE: Ø1.15 [0.0453] ±.013 [.0005]
 COPPER PLATE: .025 [.0010] MIN
 TIN PLATE: .008 [.0003] MIN. (PER SURFACE)

ELCON FLATPAQ

THIS DRAWING IS A CONTROLLED DOCUMENT FOR TYCO ELECTRONICS CORPORATION. IT IS SUBJECT TO CHANGE AND THE CONTROLLING ENGINEERING ORGANIZATION SHOULD BE CONTACTED FOR THE LATEST REVISION.		DWN R. GRZYBOWSKI 04 JAN 2007	Tyco Electronics Harrisburg, PA 17105-3608	
DIMENSIONS: mm		CHK P. DAMATO 04 JAN 2007	NAME STRAIGHT SOCKET CONNECTOR SOLDER TAILS FLATPAQ	
TOLERANCES UNLESS OTHERWISE SPECIFIED: 0 PLC ±.5 [.020] 1 PLC ±.5 [.020] 2 PLC ±.25 [.010] 3 PLC ±. 4 PLC ±. ANGLES ±.5		APVD S. FLICKINGER 04 JAN 2007	RESTRICTED TO	
MATERIAL		PRODUCT SPEC -	SIZE A200779	DRAWING NO C-1926353
FINISH		APPLICATION SPEC -	SCALE 3:1	SHEET 3 OF 3
-		WEIGHT -	REV B	
-		CUSTOMER DRAWING		