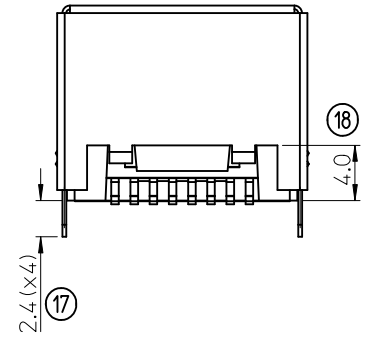
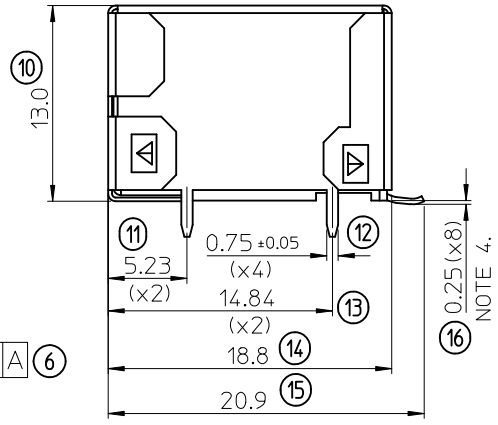
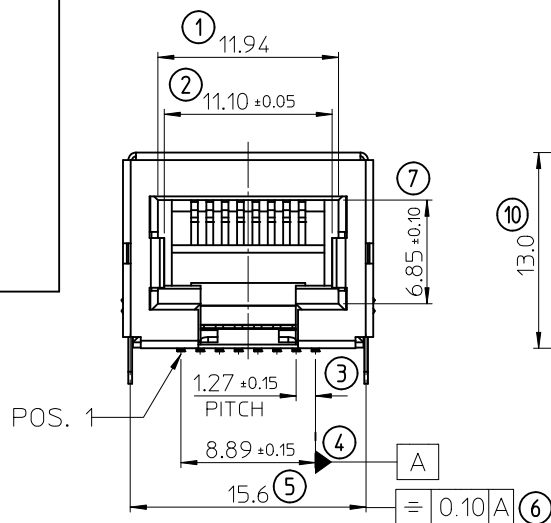
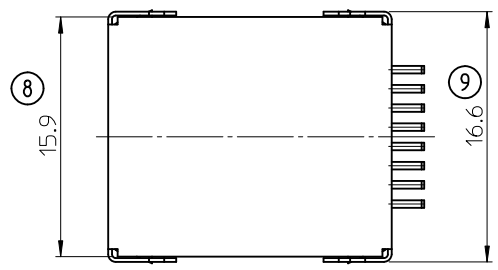


MATERIAL #  
93242-1001



NOTES:

- JACK FOR MATING WITH SHIELDED PLUG (MOLEX 95043 AND 85568 SERIES)
- PRODUCT SPECIFICATION: PS-95622-001
- PACKAGING SPECIFICATION: TAPE AND REEL.
- COPLANARITY OF SIGNAL LEADS 0.10MAX
- RECOMMENDED P.C.B. THICKNESS: 1.6

MATERIAL:  
HOUSING: LCP GLASS FILLED UL 94V-0  
COLOUR BLACK.  
TERMINAL: COPPER ALLOY PLATED WITH:  
BASE FINISH: NICKEL  
CONTACT SURFACE FINISH:  
GOLD,  
OR  
GOLD FLASH OVER PALLADIUM NICKEL.  
EXCEEDS PRODUCT REQUIREMENTS BASED ON PS-95622-001  
SHIELD: COPPER ALLOY PLATED WITH TIN

LAST INSPECTION NUMBER: 18

REMOVED PART OPTION EC NO: IPG2012-0703 DRWN:DBYRNES 2012/04/03 CHKD:MSHANAHAN 2012/04/17 APPR:EFOLAN 2012/06/26	QUALITY SYMBOLS ▽=0 ◻=0	GENERAL TOLERANCES (UNLESS SPECIFIED)		DIMENSION STYLE MM ONLY		SCALE 3:1	DESIGN UNITS METRIC	THIRD ANGLE PROJECTION		
			mm	INCH	DRAWN BY D.BYRNES	DATE 2009/09/17	TITLE FULLY SHIELDED R/A SMT MODULAR JACK 8 CKTS T/HOLE PEGS X 4			
		4 PLACES	± ---	± ---	CHECKED BY JDWALLACE	DATE 2009/09/21	MOLEX INCORPORATED			
		3 PLACES	± ---	± ---	APPROVED BY EFOLAN	DATE 2010/04/30	DOCUMENT NO. SD-93242-001			
			2 PLACES	± 0.25	± ---	SHEET NO. 1 OF 1				
			1 PLACE	± 0.35	± ---	THIS DRAWING CONTAINS INFORMATION THAT IS PROPRIETARY TO MOLEX INCORPORATED AND SHOULD NOT BE USED WITHOUT WRITTEN PERMISSION				
			ANGULAR ± 2 °		MATERIAL NO. SEE CHART					
			DRAFT WHERE APPLICABLE MUST REMAIN WITHIN DIMENSIONS		SIZE A3					