

NOTES:

1. COMPATIBLE WITH MOLEX PT 90325, 90814, 90816.
2. USE WITH CABLES 28AWG STD. 26AWG STD. AND 26AWG (69 STRANDS) SUPERFLEX.
3. TERMINATION SPECIFICATION: ES-99033-0001.
4. PRODUCT SPECIFICATION: PS-99020-0011
5. PACKAGING SPEC: PK-90327-001

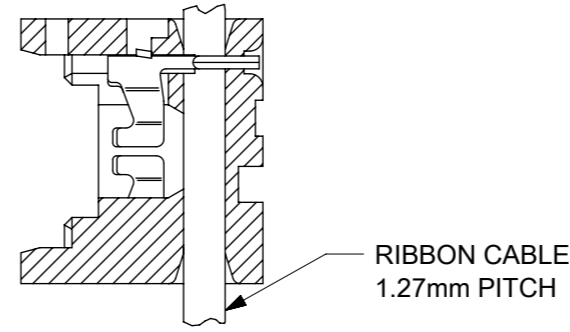
HOUSING:

MATL: POLYESTER RATED AT UL 94 V-0,
COLOUR WHITE.

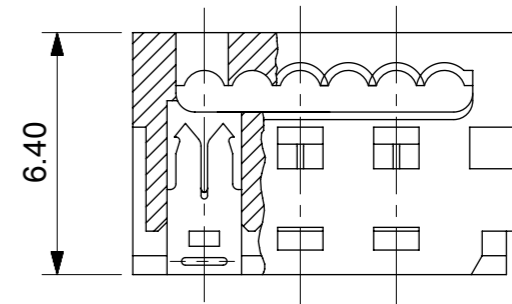
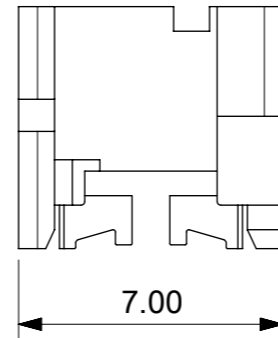
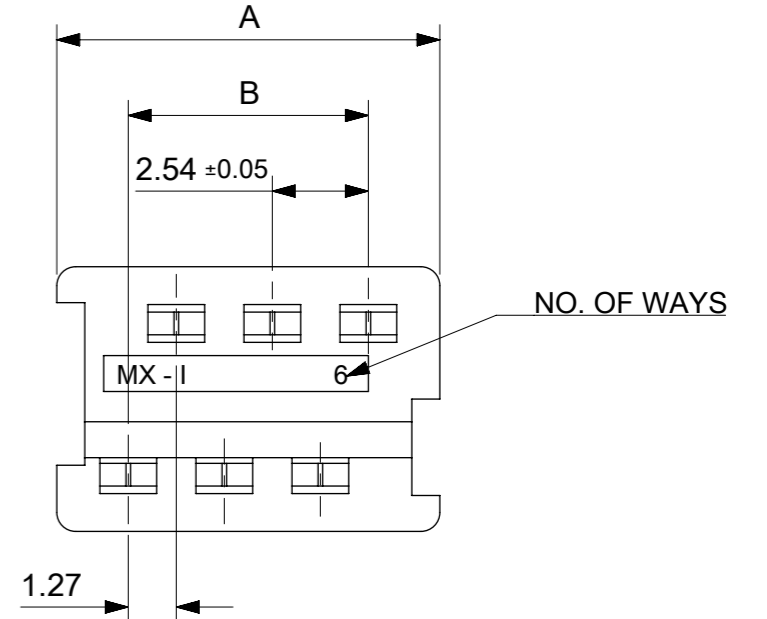
IDT CONTACT

MATL. PHOS BRONZE 0.17 THK HV 180-200
PLATING. TIN: 2-4µm PURE TIN
PLATING. UNDERPLATED 1.27µm MIN NICKEL
3-5µm SELECTIVE TIN & 0.76µm MIN. SELECTIVE GOLD

90327 - * 3 * *
0 = 2µm PRE TIN ASSY
3 = 0.76µm GOLD ASSY
SEE CONTACT PLATING NOTE
04 TO 26 = CCT SIZE, 51 TO 98 = ASSY ON REELS, SEE CHART
COLOUR WHITE



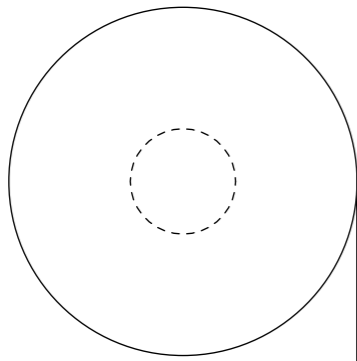
**SECTION SHOWING
ASSY AFTER TERMINATION
SEE NOTE 3**



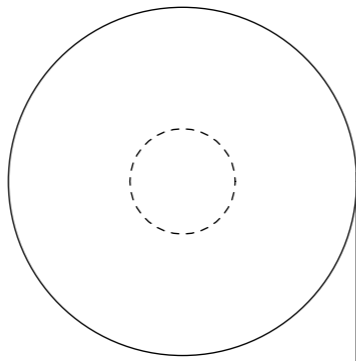
| | | | |
|------------|----------|-------------|-------------|
| 90327-*326 | 26 | 35.53 | 31.75 |
| -*324 | 24 | 32.99 | 29.21 |
| -*322 | 22 | 30.45 | 26.67 |
| -*320 | 20 | 27.91 | 24.13 |
| -*318 | 18 | 25.37 | 21.59 |
| -*316 | 16 | 22.83 | 19.05 |
| -*314 | 14 | 20.29 | 16.51 |
| -*312 | 12 | 17.75 | 13.97 |
| -*310 | 10 | 15.21 | 11.43 |
| -*308 | 8 | 12.67 | 8.89 |
| -*306 | 6 | 10.13 | 6.35 |
| 9327-*304 | 4 | 7.59 | 3.81 |
| PART NO. | CCT SIZE | DIMENSION A | DIMENSION B |

| FUNCTIONAL SYMBOLS | DIMENSION UNITS | SCALE | THIS DRAWING CONTAINS INFORMATION THAT IS PROPRIETARY TO MOLEX ELECTRONIC TECHNOLOGIES, LLC AND SHOULD NOT BE USED WITHOUT WRITTEN PERMISSION | | | |
|--|---------------------------------------|--------|---|-----------------|----------------|------------|
| $\nabla_A = 0$ | mm | 5:1 | CURRENT REV DESC: CAD MIGRATION | | | |
| $\nabla_F = 0$ | GENERAL TOLERANCES (UNLESS SPECIFIED) | | molex IDT ASSEMBLY PICO FLEX PRODUCT CUSTOMER DRAWING | | | |
| $\nabla_{F'} = 0$ | ANGULAR TOL ± 2° | | | | | |
| DIVISIONAL SYMBOLS | 4 PLACES | ± | | | | |
| | 3 PLACES | ± | | | | |
| | 2 PLACES | ± 0.10 | | | | |
| | 1 PLACE | ± 0.2 | EC NO: 738955 | 2023/02/02 | 2023/02/16 | 2023/02/20 |
| | 0 PLACES | ± | DRWN: GOWTHP | 2023/02/02 | 2023/02/16 | 2023/02/20 |
| DRAFT WHERE APPLICABLE MUST REMAIN WITHIN DIMENSIONS | | | APPR: ISHWARG | 2023/02/20 | 2023/02/20 | 2023/02/20 |
| THIRD ANGLE PROJECTION | | | INITIAL REVISION: | DOCUMENT NUMBER | | |
| DRAWING | | | DRWN: NPC | 1987/07/28 | SDA-90327 | |
| SERIES | | | APPR: JDENNDHY | 2004/09/16 | PSD | 001 |
| MATERIAL NUMBER | | | CUSTOMER | | REVISION | |
| A3-SIZE | | | 90327 | SEE CHART | GENERAL MARKET | AK1 |
| SHEET NUMBER | | | 1 OF 2 | | | |

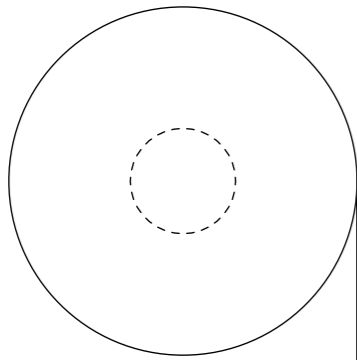
REELING OPTION A



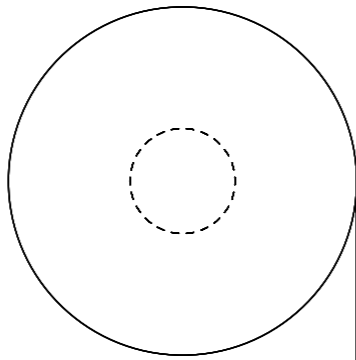
REELING OPTION B



REELING OPTION C



REELING OPTION D



NARROW POLARISING SLOT

WIDE POLARISING SLOT

| REEL ASSY NO. | PART NO. | CCT SIZE | REELING OPTION | REEL ASSY NO. | PART NO. | CCT SIZE | REELING OPTION |
|---------------|------------|----------|----------------|---------------|------------|----------|----------------|
| 90327-*351 | 90327-*304 | 4 | A | 90327-*375 | 90327-*316 | 16 | A |
| *352 | | | B | *376 | | | B |
| *353 | | | C | *377 | | | C |
| 90327-*354 | | | D | 90327-*378 | | | D |
| 90327-*355 | 90327-*306 | 6 | A | 90327-*379 | 90327-*318 | 18 | A |
| *356 | | | B | *380 | | | B |
| *357 | | | C | *381 | | | C |
| 90327-*358 | | | D | 90327-*382 | | | D |
| 90327-*359 | 90327-*308 | 8 | A | 90327-*383 | 90327-*320 | 20 | A |
| *360 | | | B | *384 | | | B |
| *361 | | | C | *385 | | | C |
| 90327-*362 | | | D | 90327-*386 | | | D |
| 90327-*363 | 90327-*310 | 10 | A | 90327-*387 | 90327-*326 | 26 | A |
| *364 | | | B | *388 | | | B |
| *365 | | | C | *389 | | | C |
| 90327-*366 | | | D | 90327-*390 | | | D |
| 90327-*367 | 90327-*312 | 12 | A | 90327-*391 | 90327-*322 | 22 | A |
| *368 | | | B | *392 | | | B |
| *369 | | | C | *393 | | | C |
| 90327-*370 | | | D | 90327-*394 | | | D |
| 90327-*371 | 90327-*314 | 14 | A | 90327-*395 | 90327-*324 | 24 | A |
| *372 | | | B | *396 | | | B |
| *373 | | | C | *397 | | | C |
| 90327-*374 | | | D | 90327-*398 | | | D |

| | | | | | | | | | | | | | |
|--|---|------------------------|---------------------------------|------------|--------------------------|----------|----------|-----------------|--|----------------|--|--------------|--|
| FUNCTIONAL SYMBOLS | THIS DRAWING CONTAINS INFORMATION THAT IS PROPRIETARY TO MOLEX ELECTRONIC TECHNOLOGIES, LLC AND SHOULD NOT BE USED WITHOUT WRITTEN PERMISSION | | CURRENT REV DESC: CAD MIGRATION | | molex | | | | | | | | |
| | ▽A = 0 | mm | | | | | | 1:1 | | | | | |
| ▽E = 0 | GENERAL TOLERANCES (UNLESS SPECIFIED) | | EC NO: 738955 | | IDT ASSEMBLY PICOFLEX | | | | | | | | |
| ▽F = 0 | ANGULAR TOL ± 2.0° | | DRWN: GOWTHP | | | | | | | | | | |
| DIVISIONAL SYMBOLS | 4 PLACES | ± | 2023/02/02 | | PRODUCT CUSTOMER DRAWING | | | | | | | | |
| | 3 PLACES | ± | 2023/02/16 | | | | | | | | | | |
| | 2 PLACES | ± 0.10 | 2023/02/20 | | DOCUMENT NUMBER | | | | | | | | |
| | 1 PLACE | ± 0.2 | INITIAL REVISION: | | SDA-90327 | | | | | | | | |
| 0 PLACES | ± | DRWN: PAD | | 1991/02/27 | | DOC TYPE | DOC PART | REVISION | | | | | |
| DRAFT WHERE APPLICABLE MUST REMAIN WITHIN DIMENSIONS | | THIRD ANGLE PROJECTION | | DRAWING | | SERIES | | MATERIAL NUMBER | | CUSTOMER | | SHEET NUMBER | |
| | | | | A3-SIZE | | 90327 | | SEE CHART | | GENERAL MARKET | | 2 OF 2 | |