

Number of contacts

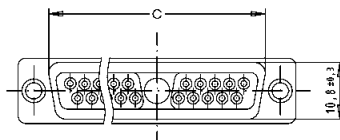
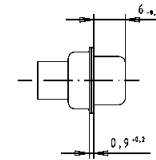
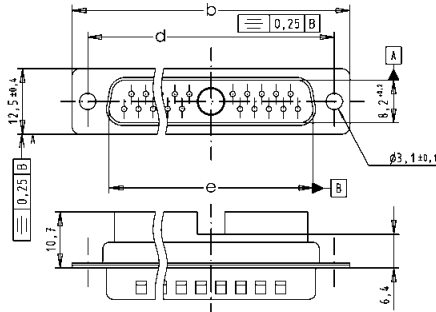
# 11-21



Mixed shells for signal crimp contacts

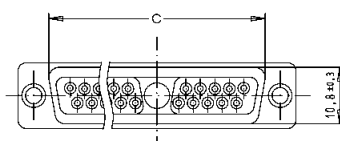
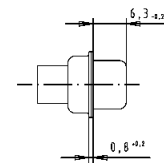
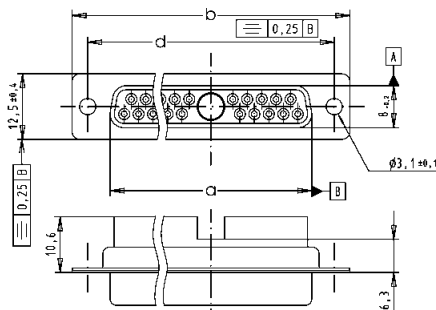
Identification	No. of contacts <sup>1)</sup>	Part number	
		male connectors	female connectors
	11W1	09 69 212 0111	09 69 202 0111
	21W1	09 69 312 0211	09 69 302 0211

Male connectors



	a	b	c	d	e
11W1	24.7	39.1	27.5	33.30	25.2
21W1	38.5	53.0	41.3	47.04	38.9

Female connectors



Dimensions in mm

<sup>1)</sup> Explanations see page 05.51  
 Order special contacts separately. See pages 05.69 ff  
 Board drillings see pages 05.78 ff

D-Sub