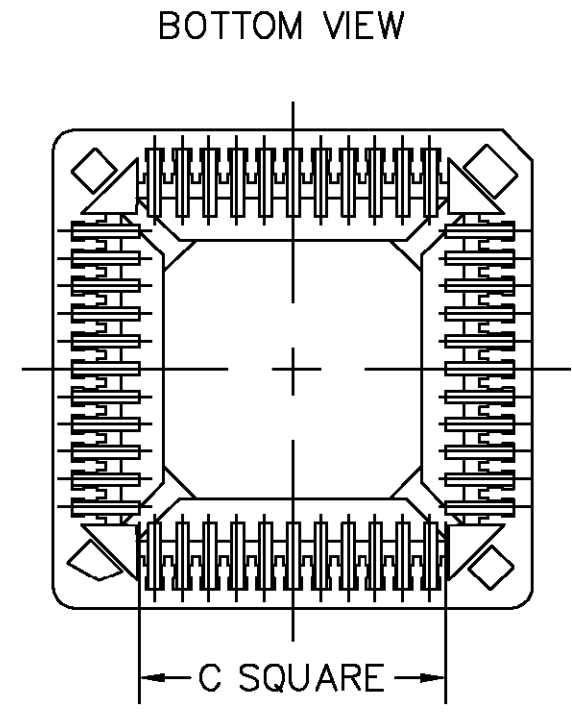
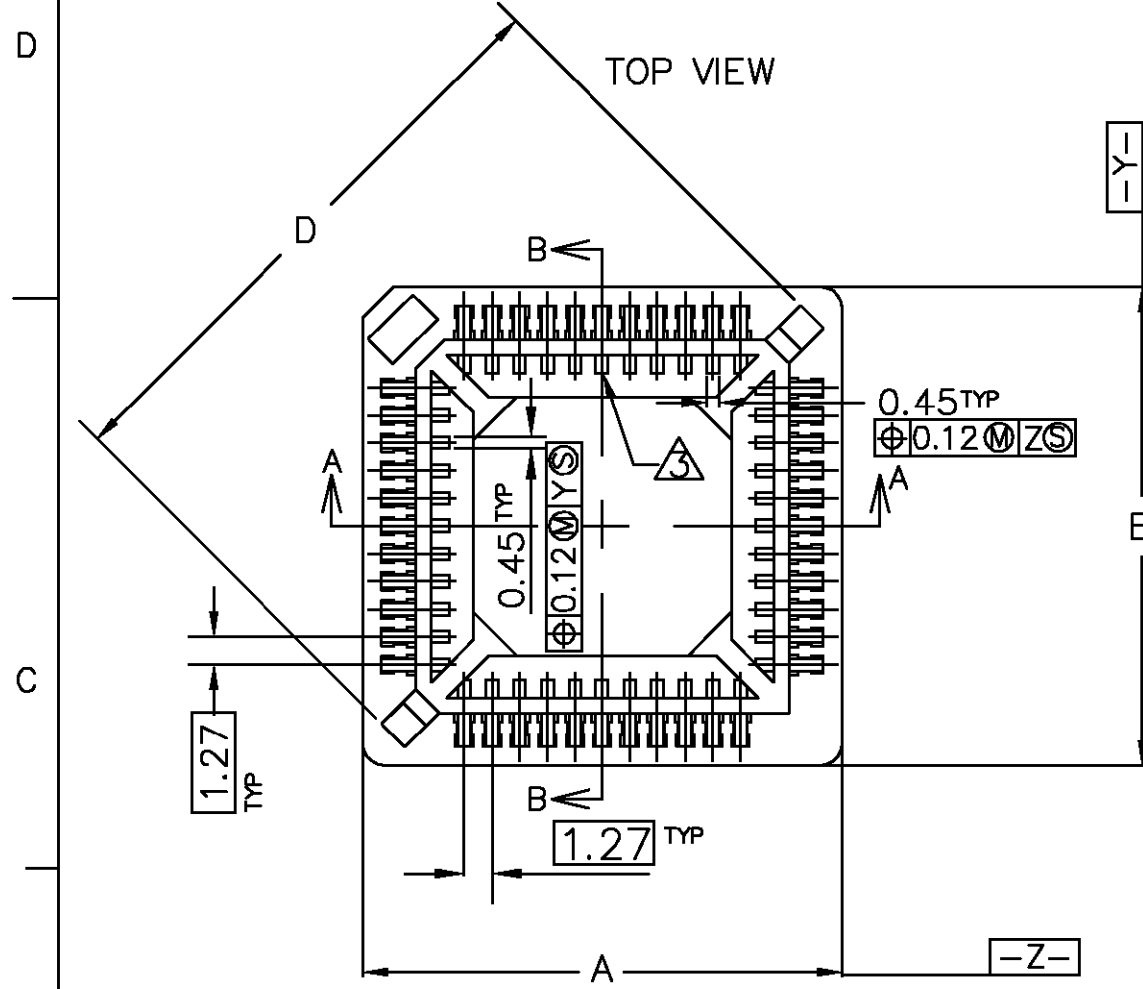
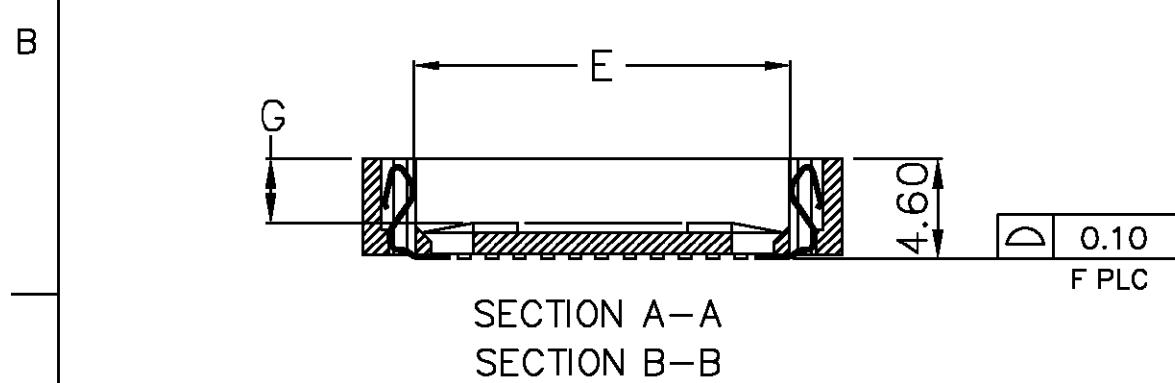


LOC	DIST	REVISIONS					
		P	LTR	DESCRIPTION	DATE	DWN	APVD
GP	00		D	REVISED PER OS1D-0099-00	07NOV00	AH	KK



- △ MATERIAL:
HOUSING--HIGH TEMPERATURE THERMOPLASTIC, UL94V-0,
COLOR: BROWN.
- △ CONTACT--PHOSPHOR BRONZE.
- △ CONTACT FINISH: PLATE 0.00254 MIN. 90/10 TIN-LEAD OVER
0.00127 MIN. NICKEL ; ALL OVER.
- △ PIN #1
- △ VIA HOLES NOT RECOMMENDED WITHIN SOCKET SHADOW AREA.
- 5. CURRENT RATING: 1 AMP.
- 6. VOLTAGE RATING: 250V.
- 7. CONTACT RESISTANCE: 20 MILLIOHMS, MAXIMUM.
- 8. INSULATION RESISTANCE: 5,000 MEGOHMS, MINIMUM, INITIAL.
- 9. DIELECTRIC WITHSTANDING VOLTAGE: 600 VAC RMS, MINIMUM.
- 10. OPERATING TEMPERATURE: -55 TO +105 C.
- 11. DURABILITY: 25 CYCLES.
- 12. PLCC DEVICE MUST CONFORM TO JEDEC MS-018.

44 POSITION SHOWN

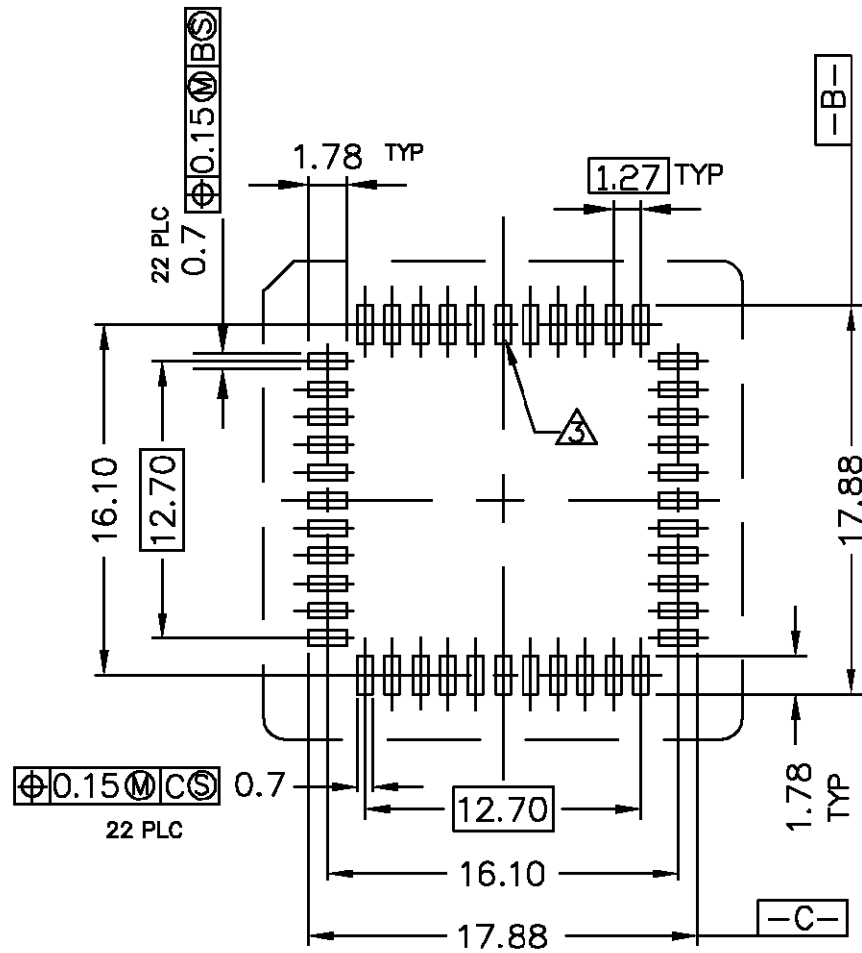


G	F	E	D	C	B	A	Part Status	Packaging	AMP P/N
2.75	20	9.36	16.38	6.71	14.36	14.36	Released	Tape	3-822499-3
2.75	20	9.36	16.38	6.71	14.36	14.36	Released	Tubes	822499-3
2.75	28	11.90	20.00	9.25	16.90	16.90	Released	Tape	3-822499-2
2.75	28	11.90	20.00	9.25	16.90	16.90	Released	Tubes	822499-2
2.95	44	16.99	27.20	14.33	22.00	22.00	Released	Tape	3-822499-1
2.95	44	16.99	27.20	14.33	22.00	22.00	Released	Tubes	822499-1

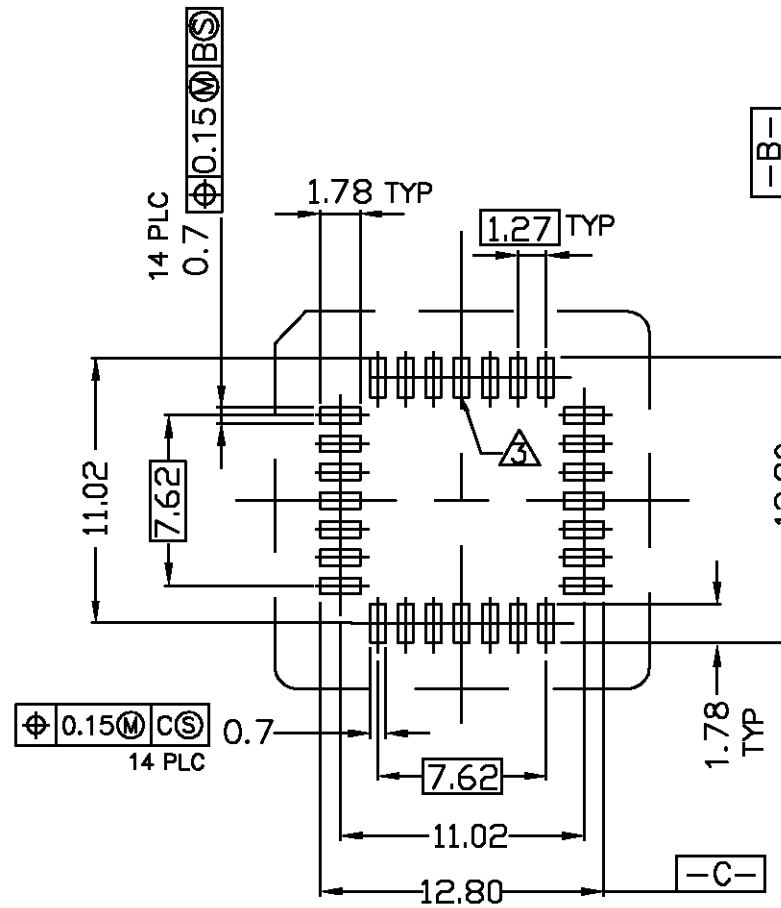
THIS DRAWING IS A CONTROLLED DOCUMENT.		DWN A.HOLT 21FEB00	AMP AMP Incorporated Harrisburg, PA 17105-3608	
		CHK K.KREIDLER 15FEB00		
DIMENSIONS: MM		TOLERANCES UNLESS OTHERWISE SPECIFIED:		NAME PLCC SURFACE MOUNT
		0 PLC ± - 1 PLC ± - 2 PLC ± 0.2 3 PLC ± - 4 PLC ± - ANGLES ± -		
MATERIAL △ 1		FINISH △ 2		RESTRICTED TO -
		PRODUCT SPEC -		SIZE A3
		APPLICATION SPEC -		CAGE CODE 00779
		WEIGHT		DRAWING NO C=822499
CUSTOMER DRAWING		SCALE 3:1		SHEET 1 OF 2
				REV D

THIS DRAWING IS UNPUBLISHED. RELEASED FOR PUBLICATION .19
 © COPYRIGHT 19 BY AMP INCORPORATED. ALL RIGHTS RESERVED.

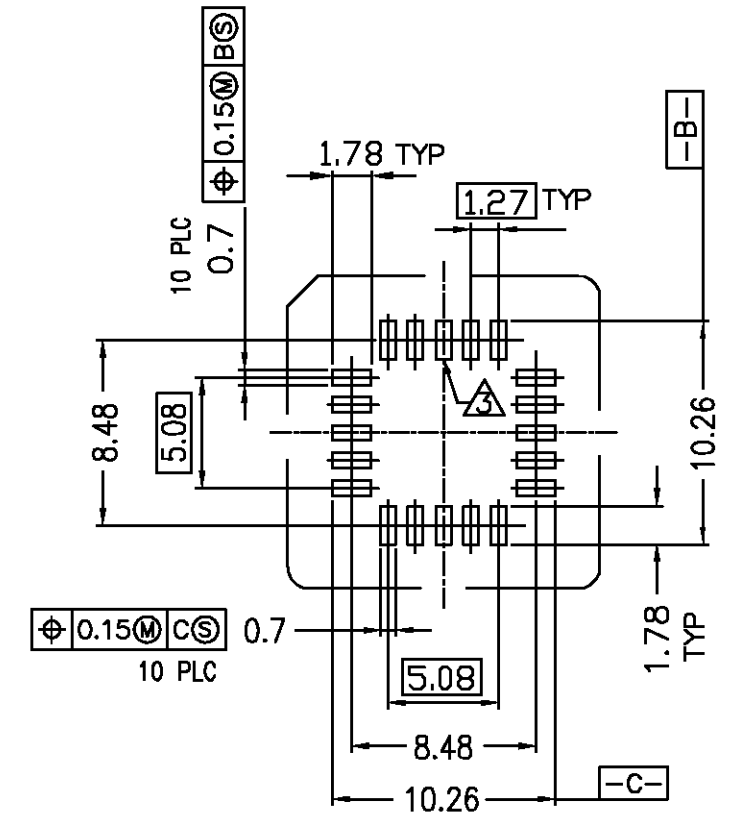
LOC	DIST	REVISIONS					
GP	00	P	LTR	DESCRIPTION	DATE	DWN	APVD
			D	SEE SHEET 1	-	-	-



44 POSITION
822499-1 AND 3-822499-1



28 POSITION
822499-2 AND 3-822499-2



20 POSITION
822499-3 AND 3-822499-3

△ RECOMMENDED PCB FOOTPRINTS

THIS DRAWING IS A CONTROLLED DOCUMENT.		DWN A.HOLT 20MAR00	AMP Incorporated Harrisburg, PA 17105-3608
DIMENSIONS: MM		CHK K.KREIDLER 20MAR00	
TOLERANCES UNLESS OTHERWISE SPECIFIED:		APVD K.KREIDLER 20MAR00	
0 PLC ± - 1 PLC ± - 2 PLC ± 0.2 3 PLC ± - 4 PLC ± - ANGLES ± -		PRODUCT SPEC -	
MATERIAL △ 1		FINISH △ 2	NAME PLCC SURFACE MOUNT
		WEIGHT	SIZE A3
		CUSTOMER DRAWING	CAGE CODE 00779
			DRAWING NO C=822499
			RESTRICTED TO -
			SCALE 3:1
			SHEET 2 OF 2
			REV D