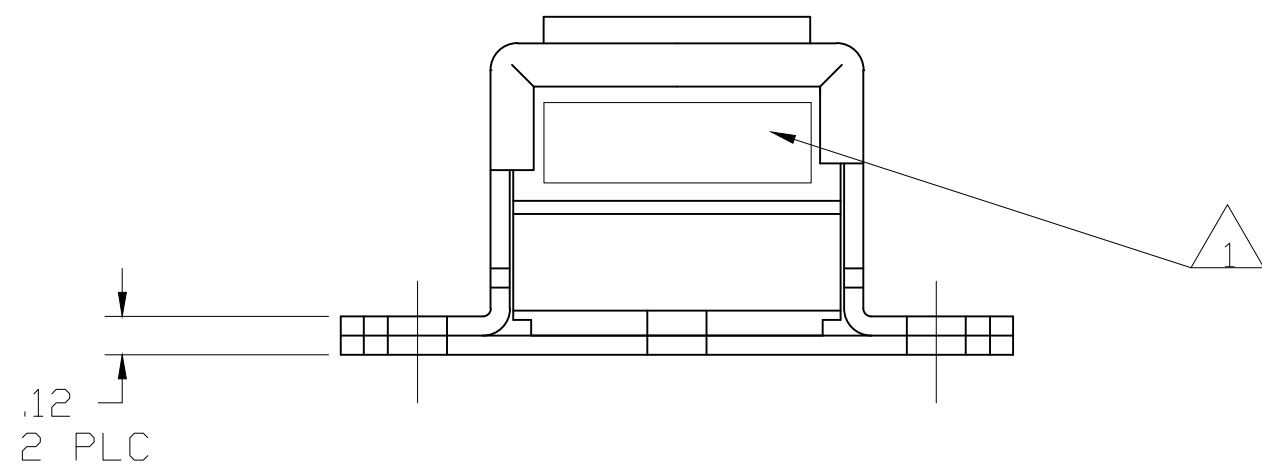
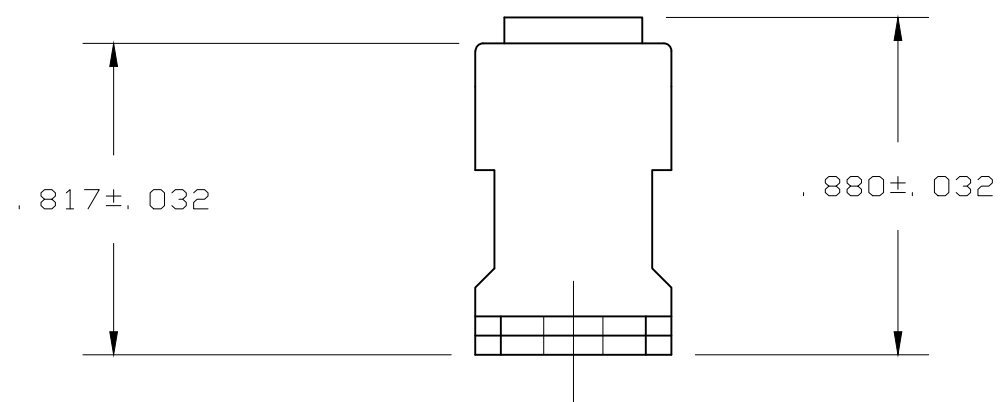
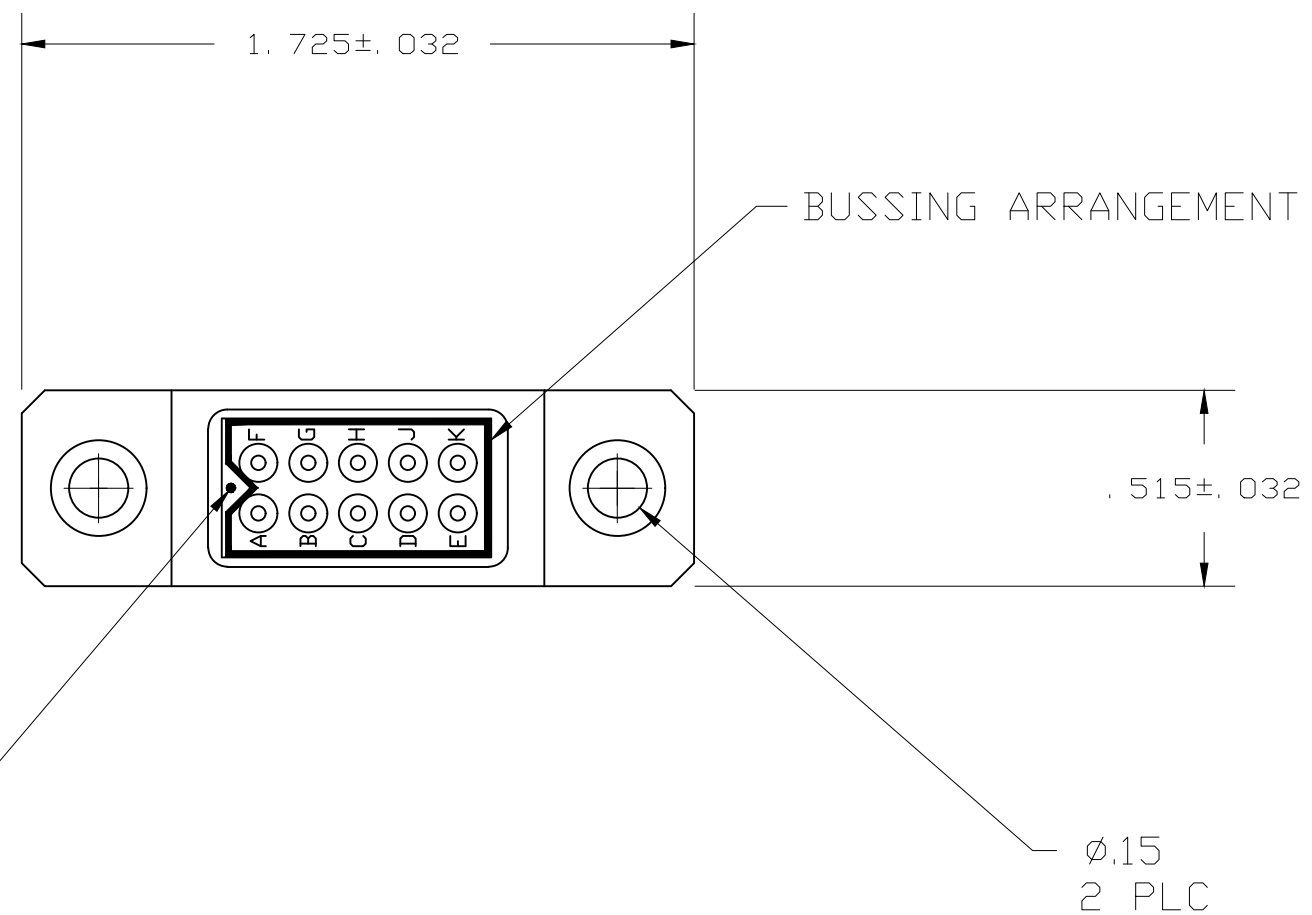


THIS DRAWING IS UNPUBLISHED. RELEASED FOR PUBLICATION
 © COPYRIGHT - TE Connectivity Ltd. ALL RIGHTS RESERVED.

REVISIONS					
P	LTR	DESCRIPTION	DATE	DWN	APVD
D		REV PER ECD 20-001680	2-7-20	CT	VR

DESCRIPTION	MATERIAL	FINISH
GROMMET	FLUOROSILICONE	COLOR: BLUE
MODULE ASSEMBLY	EPOXY, EPIALL 1908B OR E484 OR FIBERITE E8354	COLOR: BLACK
CONTACT, SOCKET ASSEMBLY	BERYLLIUM COPPER PER ASTM-B194	GOLD PLATE PER MIL-G-45204
CLIP CONTACT RETAINING	BERYLLIUM COPPER PER ASTM-B194 OR STAINLESS STEEL PER QQ-S-766	NONE
BRACKET / GROUNDING PLATE	AL-ALLOY 6061-T4	NICKEL PLATE PER QQ-N-290
CONTACT QTY 11	COPPER ALLOY PER MIL-C-39029/1	GOLD PLATE PER MIL-G-45204
SEALING PLUG QTY 2	F.E.P. PER MIL-P-19468	COLOR: RED



- 1 MODULE ASSEMBLY MARKED WITH "TE", TE PART NO. AND DATE CODE .060 MINIMUM HIGH CHARACTERS AT APPROXIMATE AREA SHOWN.
- 2 CONTACTS AND SEALING PLUGS SUPPLIED WITH MODULE ASSEMBLY.

—	SIZE 22	592836-3
—	SIZE 20	592836-2
2	SIZE 20	592836-1
REMARKS	DESCRIPTION	PART NO.

THIS DRAWING IS A CONTROLLED DOCUMENT.		DWN C. C. THOMAS 5-26-99			
DIMENSIONS: INCHES		CHK D. MILLER 5-26-99			
TOLERANCES UNLESS OTHERWISE SPECIFIED:		APVD D. MILLER 5-26-99	NAME		
0 PLC ± -		PRODUCT SPEC	MODULE WITH GROUNDING BRACKET SIZE 20/22, TJ		
1 PLC ± -		APPLICATION SPEC	SIZE	CAGE CODE	DRAWING NO
2 PLC ± .02			A2	00779	C-592836
3 PLC ± .005			RESTRICTED TO		
4 PLC ± -			-		
ANGLES ± -		WEIGHT	SCALE		
MATERIAL SEE TABLE		FINISH SEE TABLE	0.000000	2: 1	
		CUSTOMER DRAWING	SHEET		REV
			1 OF 1		D