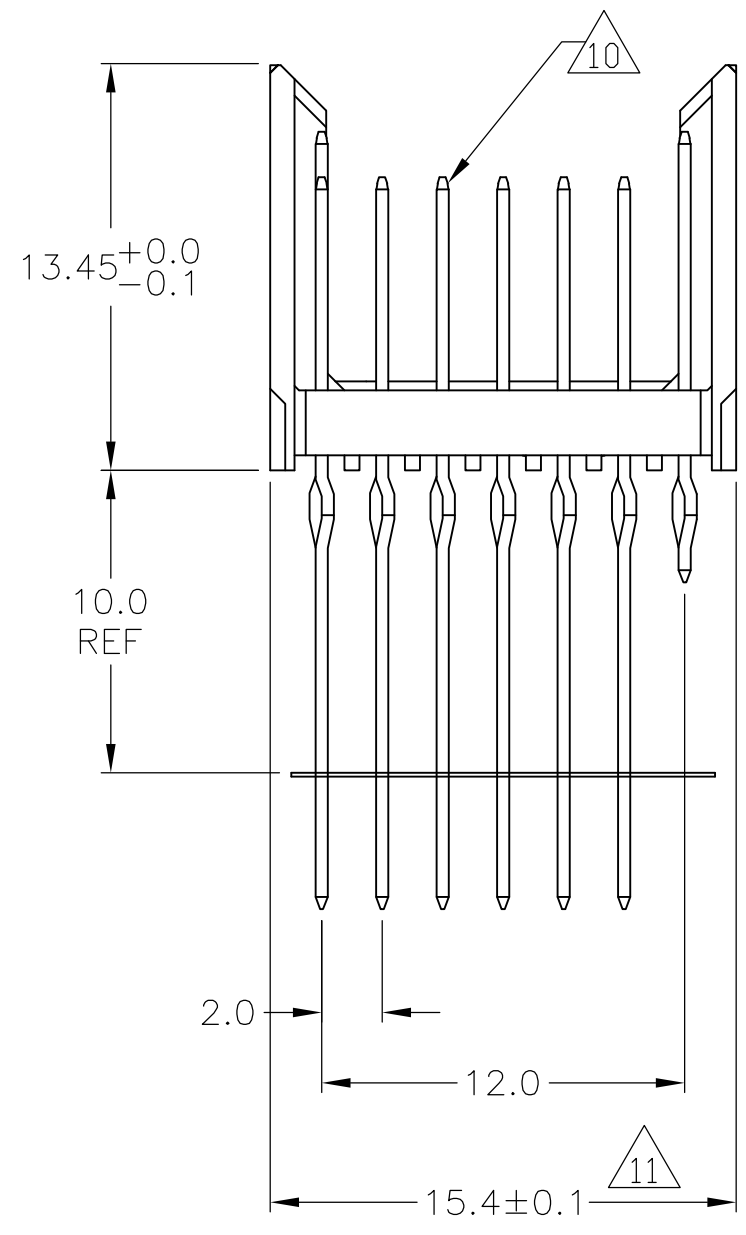
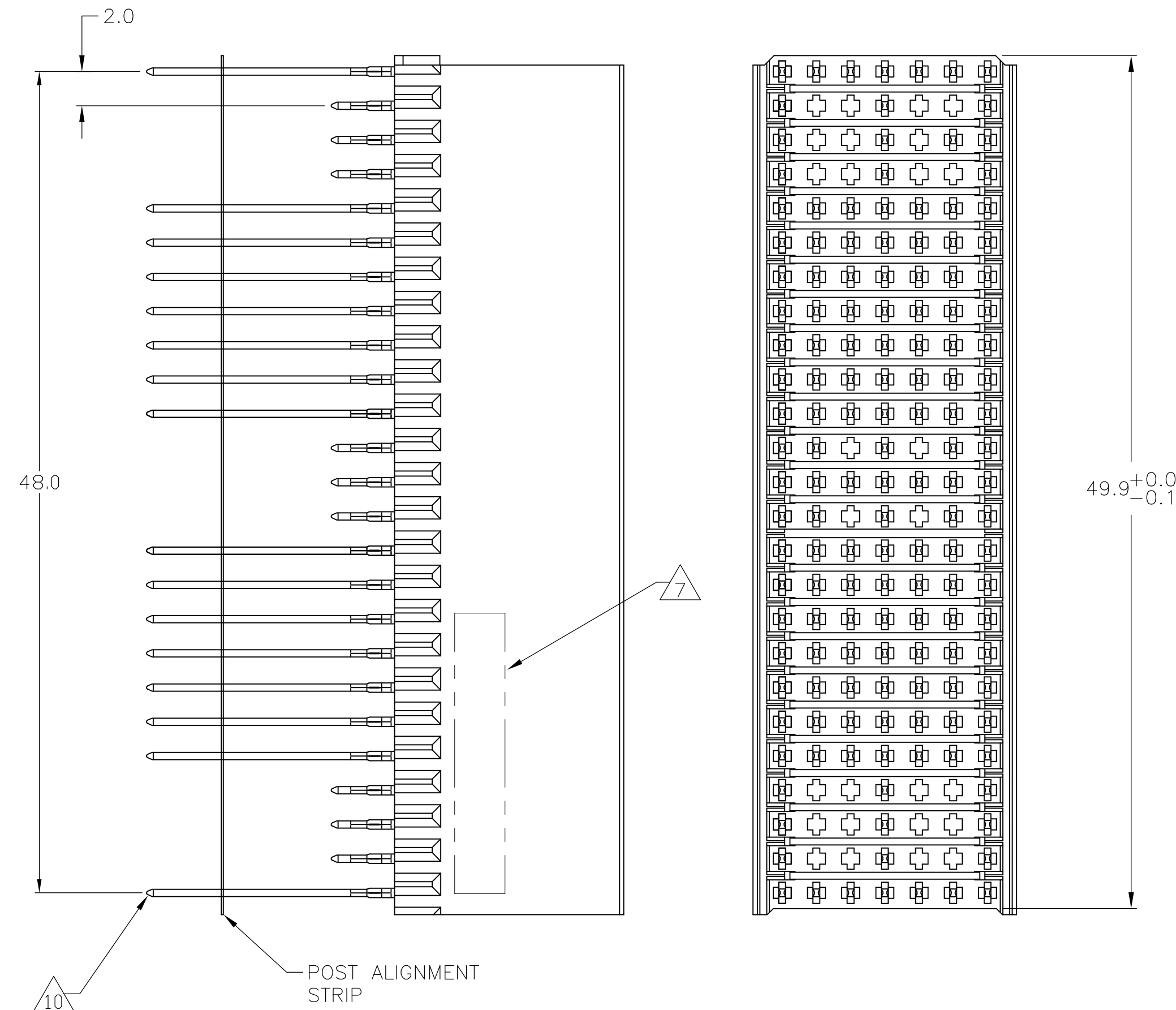
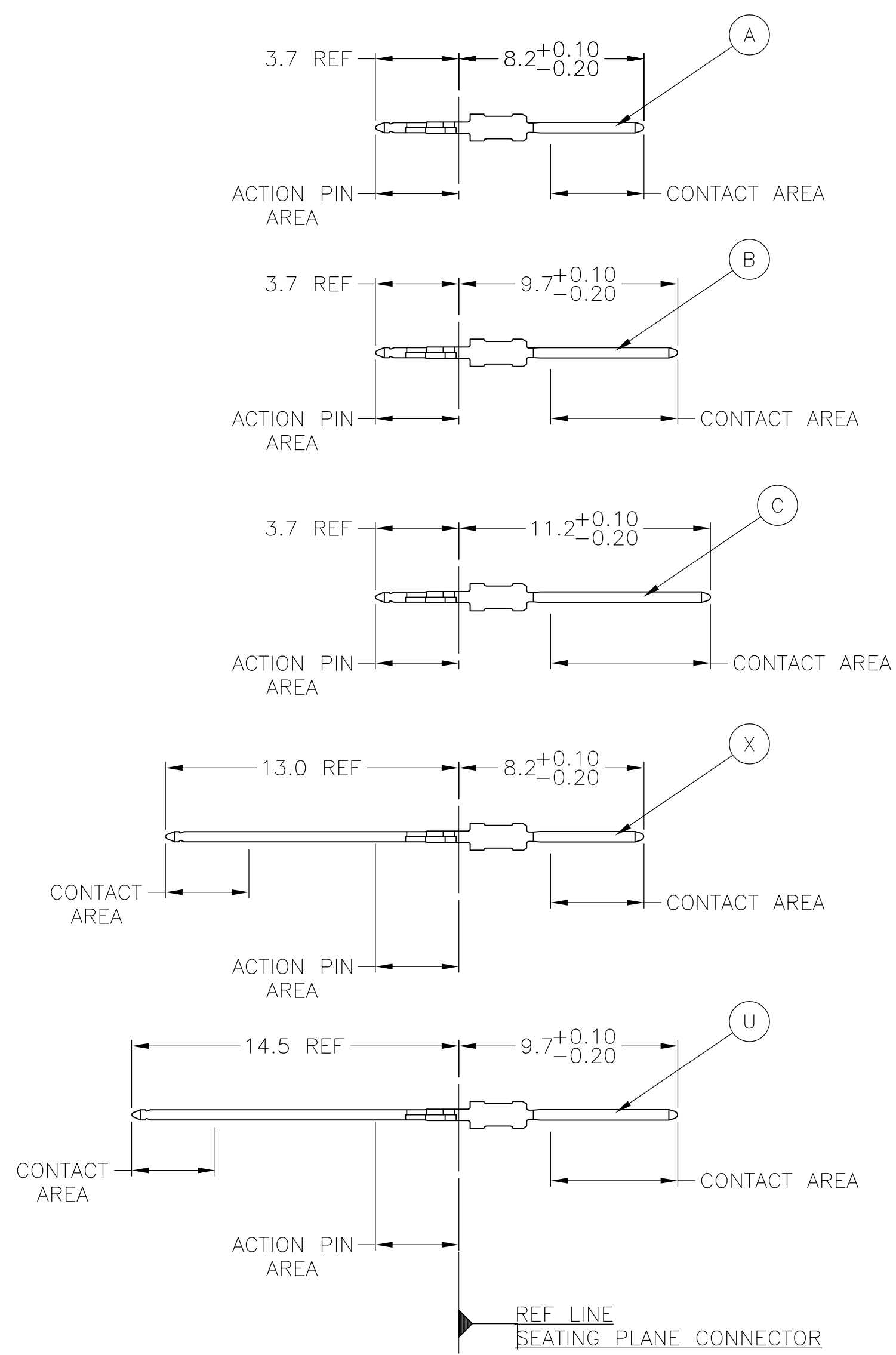


CONNECTOR ASSEMBLY EXAMPLARY LOADED



CONTACT DIMENSIONS

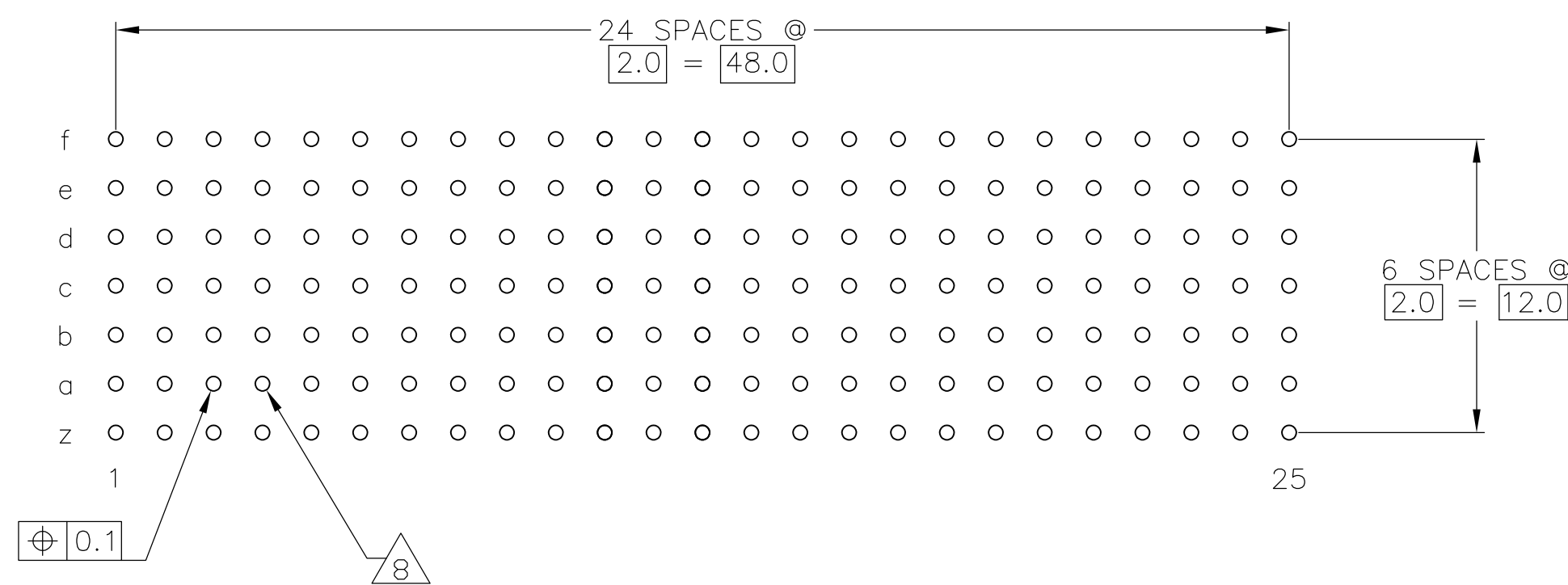
SCALE 5:1



CONTACT LAYOUT

	z	a	b	c	d	e	f
1	U	U	U	U	U	U	C
2	C			B			C
3	C			B		A	C
4	C			B			C
5	U	U	U	U	U	U	C
6	U	X	X	U	X	X	C
7	U	X	X	U	X	X	C
8	U	U	U	U	U	U	C
9	U	X	X	U	X	X	C
10	U	X	X	U	X	X	C
11	U	U	U	U	U	U	C
12	C	A		B		A	C
13	C	A	A	B	A	A	C
14	C	A		B		A	C
15	U	U	U	U	U	U	C
16	U	X	X	U	X	X	C
17	U	X	X	U	X	X	C
18	U	U	U	U	U	U	C
19	U	X	X	U	X	X	C
20	U	X	X	U	X	X	C
21	U	U	U	U	U	U	C
22	C			B			C
23	C			B			C
24	C			B			C
25	U	U	U	U	U	U	C

RECOMMENDED PCB-HOLE LAYOUT COMPONENT SIDE SHOWN



PLATED THRU HOLES PARAMETERS


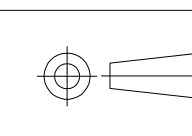
REFERENCE APPLICATION SPECIFICATION

2	6	12	1-352623-9
2	5	12	352623-9
2	4	12	352623-4
2	3	12	352623-1
OBSOLETE			
FINISH			PART NUMBER

THIS DRAWING IS A CONTROLLED DOCUMENT.

DIMENSIONS: mm	TOLERANCES UNLESS OTHERWISE SPECIFIED:	DIN B CARBO 27JUL05	Tyco Electronics Corporation Harrisburg, Pa 17105-3608
0-PLC ±	1-PLC ±0.1	27JUL05	108-19082
2-PLC ±	3-PLC ±	27JUL05	114-19029
4-PLC ±	ANGLES ±		100779 C=352623
MATERIAL 1	FINISH SEE TABLE	WEIGHT	SIZE CAGE CODE DRAWING NO. RESTRICTED TO
			A1 00779 C=352623
			CUSTOMER DRAWING SCALE 4:1 SHEET 1 OF 2 REV F

- 1 MATERIAL:
CONTACT: PHOSPHOR BRONZE.
HOUSING: GLASS-FILLED POLYESTER.
- 2 GENERAL PLATING SPECIFICATION: UNDERPLATING
(ENTIRE CONTACT): 1.27µm MIN NICKEL AND ACTION
PIN: 0.5µm MIN TIN/LEAD.
FOR PLATING OF MATING SURFACES SEE APPLICABLE
SPECIFICATION REFERENCE FOR EACH DASH NUMBER.
- 3 CONFORMS TO ALL TESTING ACCORDING TO IEC 61076-4-101
PERFORMANCE LEVEL 2.
- 4 CONFORMS TO ALL TESTING ACCORDING TO IEC 61076-4-101
PERFORMANCE LEVEL 1.
- 5 CONNECTOR TESTED AND QUALIFIED AGAINST TELCORDIA GR-1217-CORE QUALITY LEVEL 3,
CENTRAL OFFICE APPLICATIONS.
- 6 CONNECTOR TESTED AND QUALIFIED AGAINST TELCORDIA GR-1217-CORE QUALITY LEVEL 3,
UNCONTROLLED ENVIROMENT APPLICATIONS.
- 7 CONNECTOR MARKED WITH PART NUMBER AND DATE CODE.
ADDITIONAL CHARACTERS OR MARKINGS, AS WELL AS THE LOCATION OF THE MARKINGS,
MAY BE ADDED FOR TRACEABILITY BASED UPON MANUFACTURERS DISCRETION.
- 8 PLATED-THROUGH HOLES AT 2x2mm SQUARE GRID
PATTERN DEFINED BY CONTACT LAYOUT.
- 9 FOR ACTUAL PIN LOADING SEE "CONTACT LAYOUT".
- 10 FOR ACTUAL PIN DIMENSIONS SEE "CONTACT DIMENSIONS".
- 11 TO BE MEASURED AT BOTTOM OF SHROUD.
- 12 CONNECTOR LUBRICATED WITH BELCORE APPROVED LUBRICANT,
TECHNICAL REFERENCE: TR-NWT-001217 ISSUE 1, SEP 1992.

THIS DRAWING IS A CONTROLLED DOCUMENT.		DIN B. CARBO	27JUL05	 Tyco Electronics Corporation Harrisburg, Pa 17105-3608
		CHK G. SKIPPER	27JUL05	
DIMENSIONS: mm		TOLERANCES UNLESS OTHERWISE SPECIFIED: 0-PLC ± 1-PLC ±0.1 2-PLC ± 3-PLC ± 4-PLC ± ANGLES ±		APVO G. SKIPPER 27JUL05 NAME MALE ASSEMBLY, Z-PACK 2mm HM, TYPE B
		PRODUCT SPEC 108-19082 APPLICATION SPEC 114-19029		SIZE A1 CAGE CODE 00779 DRAWING NO C=352623 RESTRICTED TO -
MATERIAL SEE SHEET 1	FINISH SEE SHEET 1	WEIGHT -	CUSTOMER DRAWING	SCALE 4:1 SHEET 2 OF 2 REV F