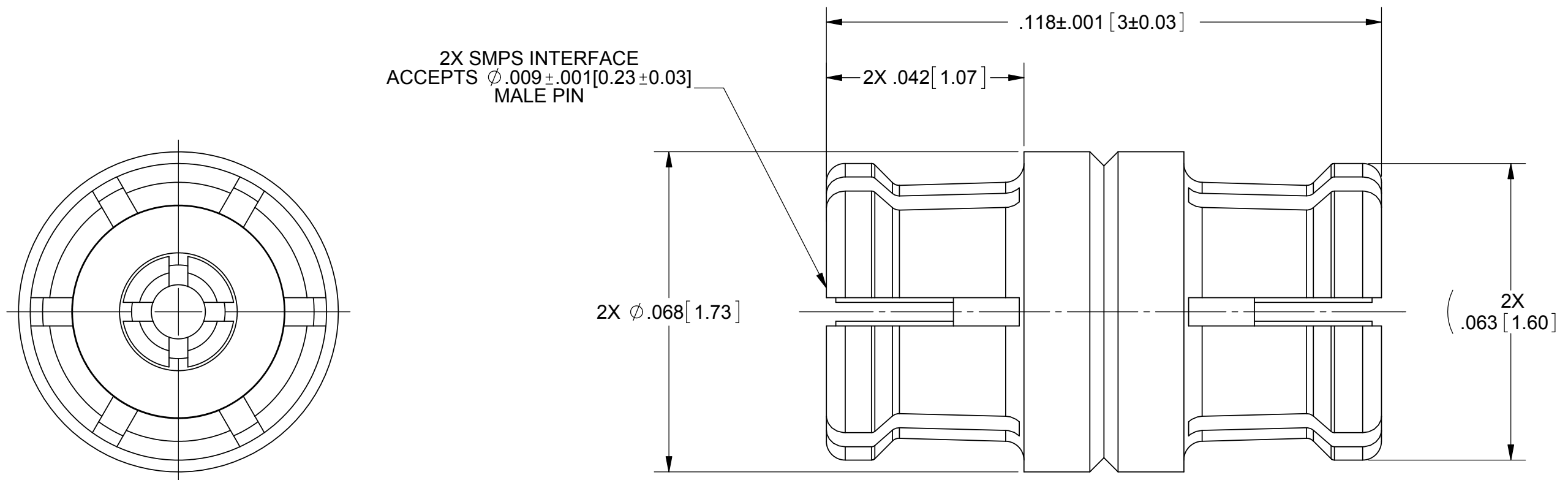


PRODUCT DATA DRAWING

REVISION HISTORY			
REV	DESCRIPTION	DATE	APPROVED
C	REV. DCN 40136	10/22/13	STW



MATERIAL:

BODY, & CONTACT:

BERYLLIUM COPPER PER ASTM B196, ALLOY No. UNS C17300, TD04

INSULATOR:

PTFE PER ASTM D1710, TYPE I, GRADE 1, CLASS B

FINISH:

BODY & CONTACT:

GOLD PER ASTM B 488, TYPE II, CODE C, CLASS 1.27, OVER NICKEL PER AMS-QQ-N-290, CLASS 1, .00005" MIN.

PERFORMANCE:

IMPEDANCE:
VSWR:

50 OHMS
1.15:1 DC TO 40 GHz TYPICAL
1.25:1 TO 65 GHz TYPICAL

INSERTION LOSS:
DWV:
OPERATING TEMP.:

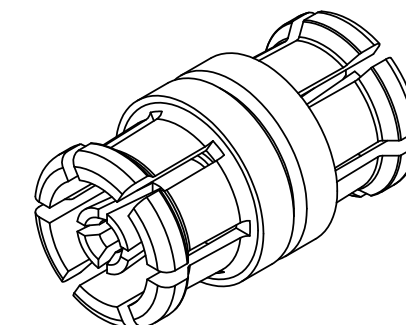
.12 X SQRT(F(F IN GHz))
250 VRMS
-55°C TO +165°C

ENGAGEMENT:

3.5 LBS TYPICAL IN FULL DETENT
1.6 LBS TYPICAL IN SMOOTH BORE

DISENGAGEMENT:

2.0 LBS TYPICAL IN FULL DETENT
0.5 LBS TYPICAL IN SMOOTH BORE



MATERIAL: SEE NOTES	DIMENSIONS ARE IN INCHES TOLERANCES: FRACTIONAL: ±1/64 ANGULAR: X° ±1'0" X°X' ±15'	UNLESS OTHERWISE SPECIFIED 1) ALL DIMENSIONS ARE IN INCHES (MILLIMETERS) 2) ALL DIMENSIONS ARE AFTER PLATING. 3) BREAK CORNERS & EDGES .005 R. MAX. 4) CHAM. 1ST & LAST THREADS. 5) SURFACE ROUGHNESS 63-MIL-STD-10. 6) DIA.'S ON COMMON CENTERS TO BE CONCENTRIC WITHIN .005 T.I.R. 7) REMOVE ALL BURRS	SV Microwave, Inc. 2400 Centrepark West Drive, Suite 100 West Palm Beach, FL 33409
FINISH: SEE NOTES	DECIMAL: X ±.030 .XX ±.010 .XXX ±.005	INTERPRET DIMENSIONS AND TOLERANCES PER ASME Y14.5M - 1994	TITLE: SMPS FEMALE TO FEMALE STRAIGHT ADAPTER
SURFACE AREA: N/A	THIRD ANGLE PROJECTION	DRAWN: FED 02/28/11	SIZE CAGE CODE DWG. NO. B 95077 1138-4002
PROPRIETARY THE INFORMATION CONTAINED IN THIS DRAWING IS THE SOLE PROPERTY OF SV MICROWAVE, INC. ANY REPRODUCTION IN PART OR AS A WHOLE WITHOUT THE WRITTEN PERMISSION OF SV MICROWAVE, INC IS PROHIBITED.		CHECKED: STW 02/28/11	SCALE: 40:1
		APPROVED: STW 02/28/11	SHEET 1 OF 1