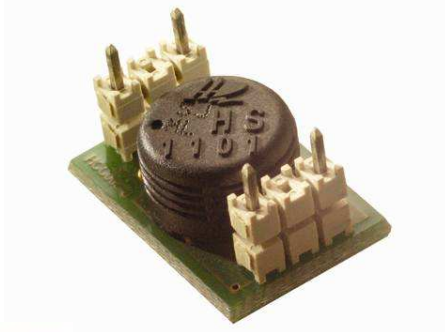


## HTF3000LF – Temperature and Relative Humidity Module



- Small size product
- Compliant with RoHS recommendations and most of Lead Free Soldering Process
- Humidity calibrated within +/-3% @55%RH at 5Vdc
- Stable, proportional frequency output from 0 to 100% RH
- High quality thermistor

### DESCRIPTION

Based on the rugged HS1101LF humidity sensor, HTF3000LF is a dedicated humidity and temperature transducer designed for OEM applications where a reliable and accurate measurement is needed. It features a very small size for easy, cost-effective mechanical mounting. Direct interface with a micro-controller is made possible with the module's linear frequency output.

### FEATURES

- One of the smallest humidity/temperature modules on the market
  - High reliability and long term stability
  - Not affected by water immersion
  - Stable characteristics with temperature
  - Part could be washed with distilled water
- Humidity Sensor Specific Features**
- Instantaneous de-saturation after long periods in saturation phase
  - Fast response time
  - High resistance to chemicals
  - Patented solid polymer structure
- Temperature Sensor Specific Features**
- 10kΩ +/-1% NTC temperature sensor
  - Stable
  - High sensitivity

### APPLICATIONS

- Printers
- HVAC controller

...

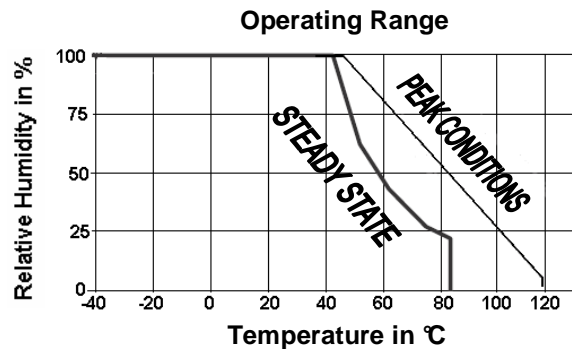
# HTF3000LF - Temperature and Relative Humidity Module

## PERFORMANCE SPECS

### MAXIMUM RATINGS

| Ratings                     | Symbol | Value      | Unit |
|-----------------------------|--------|------------|------|
| Storage Temperature         | Tstg   | -40 to 105 | °C   |
| Storage Humidity            | RHstg  | 0 to 100   | % RH |
| Supply Voltage (Peak)       | Vs     | 16         | Vdc  |
| Humidity Operating Range    | RH     | 0 to 100   | % RH |
| Temperature Operating Range | Ta     | -40 to 85  | °C   |

Peak conditions: less than 10% of the operating time.



### ELECTRICAL CHARACTERISTICS

(Ta=23°C, Vs=5Vdc +/-5%, RL>1MΩ unless otherwise stated)

| Humidity Characteristics                                    | Symbol                     | Min                        | Typ    | Max  | Unit   |
|---|----------------------------|----------------------------|--------|------|--------|
| Humidity Measuring Range                                    | RH                         | 0                          |        | 100  | %RH    |
| Relative Humidity Accuracy (0 to 100% RH)                   | RH                         | Refer to Chart 2 on page 3 |        |      | %RH    |
| Supply Voltage  | Vs                         | 3                          | 5      | 8    | Vdc    |
| Nominal Output @55%RH (at 5Vdc)                             | Fout                       | 6560                       | 6600   | 6640 | Hz     |
| Current consumption (Max at 16Vdc)                          | Ic                         |                            | 0.18   | 1    | mA     |
| Supply Voltage Influence (3 to 7Vdc)                        | RH                         |                            | +/-1   |      | % RH   |
| Average Sensitivity from 10% to 95%RH                       | $\Delta F_{out}/\Delta RH$ | -10                        | -12    | -14  | Hz/%RH |
| Humidity Hysteresis   |                            |                            |        | +/-1 | %RH    |
| Long Term Stability   | T                          |                            | +/-0.5 |      | %RH/yr |
| Time Constant (at 63% of signal, static) 40% to 95%RH, 2m/s | $\tau$                     |                            |        | 10   | s      |

(Ta=25°C)

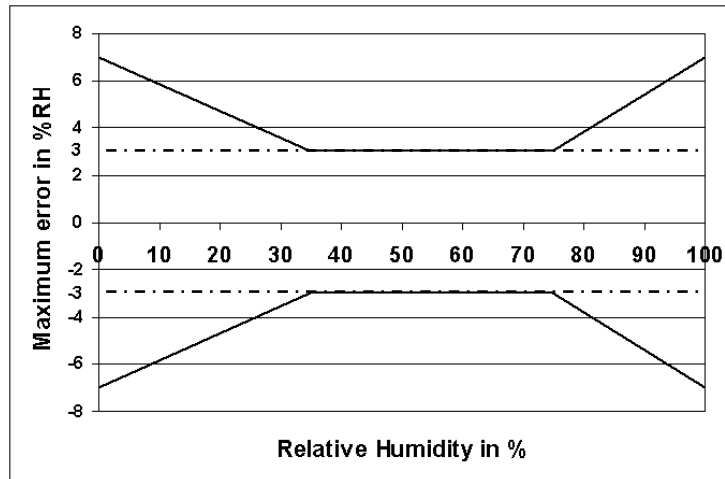
| Temperature Characteristics        | Symbol         | Min  | Typ  | Max  | Unit |
|------------------------------------|----------------|------|------|------|------|
| Nominal Resistance @25°C           | R              |      | 10   |      | kΩ   |
| Beta value: B25/100                | $\beta$        | 3346 | 3380 | 3413 |      |
| Temperature Measuring Range        | Ta             | -40  |      | 85   | °C   |
| Nominal Resistance Tolerance @25°C | R <sub>N</sub> |      | 1    |      | %    |
| Beta Value Tolerance               | $\beta$        |      | 1    |      | %    |
| Response Time                      | $\tau$         |      | 10   |      | s    |

# HTF3000LF - Temperature and Relative Humidity Module

## TYPICAL PERFORMANCE CURVES

### HUMIDITY SENSOR

- Relative Humidity Accuracy of HTF3000LF @23°C



- Modeled Signal Output Equations

$$F_{out} = 7314 - 16.79 \cdot RH + 0.0886 \cdot RH^2 - 0.000358 \cdot RH^3$$

F<sub>out</sub> in Hz and RH in %

- Modeled Reversed Output Equations

$$RH = 89.8 \cdot 10^{-10} \cdot F_{out}^3 - 15.7486 \cdot 10^{-5} \cdot F_{out}^2 + 0.80945 \cdot F_{out} - 1009$$

F<sub>out</sub> in Hz and RH in %

- Typical response look-up table

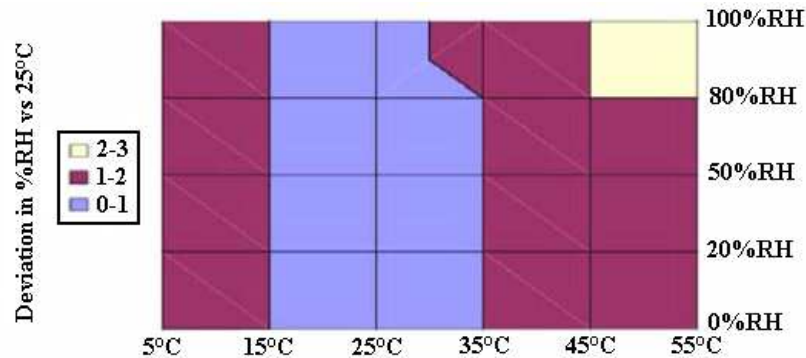
|                  |           |           |           |           |           |           |           |           |           |           |           |
|------------------|-----------|-----------|-----------|-----------|-----------|-----------|-----------|-----------|-----------|-----------|-----------|
| <b>RH (%)</b>    | <b>1</b>  | <b>5</b>  | <b>10</b> | <b>15</b> | <b>20</b> | <b>25</b> | <b>30</b> | <b>35</b> | <b>40</b> | <b>45</b> | <b>50</b> |
| <b>Fout (Hz)</b> | 7295      | 7230      | 7155      | 7080      | 7010      | 6945      | 6880      | 6820      | 6760      | 6705      | 6650      |
| <b>RH (%)</b>    | <b>55</b> | <b>60</b> | <b>65</b> | <b>70</b> | <b>75</b> | <b>80</b> | <b>85</b> | <b>90</b> | <b>95</b> | <b>99</b> |           |
| <b>Fout (Hz)</b> | 6600      | 6550      | 6500      | 6450      | 6400      | 6355      | 6305      | 6260      | 6210      | 6170      |           |

Output Voltage wave form



## HTF3000LF - Temperature and Relative Humidity Module

- Temperature influence on HTF3000LF humidity measurement



Calibration data are traceable to NIST standards through CETIAT laboratory.

For demanding application, temperature coefficient could be compensated over operating temperature range using following formula:

$$\begin{aligned} RH_{\text{corr}} &= RH + 0.08 * (T - 25) \\ F_{\text{out corr}} &= F_{\text{out}} - 0.88 * (T - 25) \\ T \text{ in } ^\circ\text{C}, RH \text{ in } \%, F_{\text{out}} \text{ in Hz} \end{aligned}$$

### TEMPERATURE SENSOR

- Typical temperature output

Depending on the needed temperature measurement range and associated accuracy, we suggest two methods to access to the NTC resistance values.

$$R_T = R_N * e^{\beta \left( \frac{1}{T} - \frac{1}{T_N} \right)}$$

|          |  |
|----------|--|
| $R_T$    | NTC resistance in $\Omega$ at temperature T in K       |
| $R_N$    | NTC resistance in $\Omega$ at rated temperature T in K |
| T, $T_N$ | Temperature in K                                       |
| $\beta$  | Beta value, material specific constant of NTC          |
| e        | Base of natural logarithm (e=2.71828)                  |

① The exponential relation only roughly describes the actual characteristic of an NTC thermistor can, however, as the material parameter  $\beta$  in reality also depend on temperature. So this approach is suitable for describing a restricted range around the rated temperature or resistance with sufficient accuracy.

② For practical applications, a more precise description of the real R/T curve may be required. Either more complicated approaches (e.g. the Steinhart-Hart equation) are used or the resistance/temperature relation as given in tabulation form. The below table has been experimentally determined with utmost accuracy for temperature increments of 1 degree.

Actual values may also be influenced by inherent self-heating properties of NTCs. Please refer to MEAS-France Application Note HPC106-0 "Low power NTC measurement".

# HTF3000LF - Temperature and Relative Humidity Module

- Temperature Look-up Table

| Temp<br>(°C) | Rout<br>(Ω) | Max Dev<br>(Ω) |
|--------------|-------------|----------------|
| -40          | 195652      | 7921           |
| -39          | 184917      | 7378           |
| -38          | 174845      | 6874           |
| -37          | 165391      | 6407           |
| -36          | 156513      | 5974           |
| -35          | 148171      | 5571           |
| -34          | 140330      | 5197           |
| -33          | 132958      | 4849           |
| -32          | 126022      | 4527           |
| -31          | 119494      | 4226           |
| -30          | 113347      | 3947           |
| -29          | 107565      | 3687           |
| -28          | 102116      | 3446           |
| -27          | 96978       | 3221           |
| -26          | 92132       | 3011           |
| -25          | 87559       | 2815           |
| -24          | 83242       | 2633           |
| -23          | 79166       | 2463           |
| -22          | 75316       | 2305           |
| -21          | 71677       | 2157           |
| -20          | 68237       | 2019           |
| -19          | 64991       | 1890           |
| -18          | 61919       | 1770           |
| -17          | 59011       | 1658           |
| -16          | 56258       | 1553           |
| -15          | 53650       | 1454           |
| -14          | 51178       | 1363           |
| -13          | 48835       | 1277           |
| -12          | 46613       | 1197           |
| -11          | 44506       | 1121           |
| -10          | 42506       | 1051           |
| -9           | 40600       | 985            |
| -8           | 38791       | 923            |
| -7           | 37073       | 865            |
| -6           | 35442       | 810            |
| -5           | 33892       | 759            |
| -4           | 32420       | 712            |
| -3           | 31020       | 667            |
| -2           | 29689       | 625            |
| -1           | 28423       | 586            |
| 0            | 27219       | 549            |
| 1            | 26076       | 514            |

| Temp<br>(°C) | Rout<br>(Ω) | Max Dev<br>(Ω) |
|--------------|-------------|----------------|
| 2            | 24988       | 482            |
| 3            | 23951       | 452            |
| 4            | 22963       | 423            |
| 5            | 22021       | 396            |
| 6            | 21123       | 371            |
| 7            | 20267       | 348            |
| 8            | 19450       | 326            |
| 9            | 18670       | 305            |
| 10           | 17926       | 285            |
| 11           | 17214       | 267            |
| 12           | 16534       | 250            |
| 13           | 15886       | 233            |
| 14           | 15266       | 218            |
| 15           | 14674       | 204            |
| 16           | 14108       | 190            |
| 17           | 13566       | 178            |
| 18           | 13049       | 166            |
| 19           | 12554       | 154            |
| 20           | 12081       | 144            |
| 21           | 11628       | 134            |
| 22           | 11195       | 125            |
| 23           | 10780       | 116            |
| 24           | 10382       | 108            |
| 25           | 10000       | 100            |
| 26           | 9634        | 100            |
| 27           | 9284        | 100            |
| 28           | 8947        | 100            |
| 29           | 8624        | 99             |
| 30           | 8315        | 99             |
| 31           | 8018        | 98             |
| 32           | 7734        | 98             |
| 33           | 7461        | 97             |
| 34           | 7199        | 96             |
| 35           | 6948        | 95             |
| 36           | 6707        | 94             |
| 37           | 6475        | 93             |
| 38           | 6253        | 92             |
| 39           | 6039        | 91             |
| 40           | 5834        | 90             |
| 41           | 5636        | 89             |
| 42           | 5445        | 88             |
| 43           | 5262        | 87             |

| Temp<br>(°C) | Rout<br>(Ω) | Max Dev<br>(Ω) |
|--------------|-------------|----------------|
| 44           | 5086        | 86             |
| 45           | 4917        | 85             |
| 46           | 4754        | 83             |
| 47           | 4597        | 82             |
| 48           | 4446        | 81             |
| 49           | 4301        | 80             |
| 50           | 4161        | 79             |
| 51           | 4026        | 77             |
| 52           | 3896        | 76             |
| 53           | 3771        | 75             |
| 54           | 3651        | 74             |
| 55           | 3535        | 73             |
| 56           | 3423        | 72             |
| 57           | 3315        | 70             |
| 58           | 3211        | 69             |
| 59           | 3111        | 68             |
| 60           | 3014        | 67             |
| 61           | 2922        | 66             |
| 62           | 2834        | 65             |
| 63           | 2748        | 64             |
| 64           | 2666        | 63             |
| 65           | 2586        | 62             |
| 66           | 2509        | 60             |
| 67           | 2435        | 59             |
| 68           | 2364        | 58             |
| 69           | 2294        | 57             |
| 70           | 2228        | 56             |
| 71           | 2163        | 55             |
| 72           | 2100        | 54             |
| 73           | 2040        | 53             |
| 74           | 1981        | 52             |
| 75           | 1925        | 52             |
| 76           | 1870        | 51             |
| 77           | 1817        | 50             |
| 78           | 1766        | 49             |
| 79           | 1716        | 48             |
| 80           | 1669        | 47             |
| 81           | 1622        | 46             |
| 82           | 1578        | 46             |
| 83           | 1535        | 45             |
| 84           | 1493        | 44             |
| 85           | 1452        | 43             |

## HTF3000LF - Temperature and Relative Humidity Module

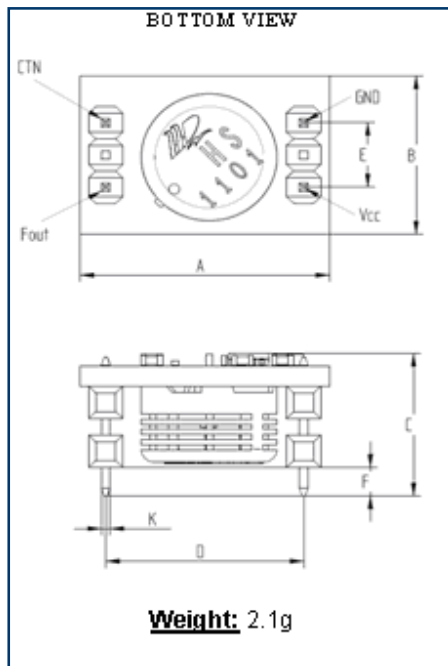
### QUALIFICATION PROCESS

#### RESISTANCE TO PHYSICAL AND CHEMICAL STRESSES

- HTF3000LF has passed through qualification processes of MEAS-France including vibration, shock, storage, high temperature and humidity.
- Additional tests under harsh chemical conditions demonstrate good operation in presence of salt atmosphere, SO<sub>2</sub> (0.5%), H<sub>2</sub>S (0.5%), O<sub>3</sub>, NO<sub>x</sub>, NO, CO, CO<sub>2</sub>, Softener, Soap, Toluene, acids (H<sub>2</sub>SO<sub>4</sub>, HNO<sub>3</sub>, HCl), HMDS, Insecticide, Cigarette smoke, this is not an exhaustive list.
- ESD: HTF3000LF is able to sustain a minimum of +/-8kV (contact discharge).

### PACKAGE OUTLINE

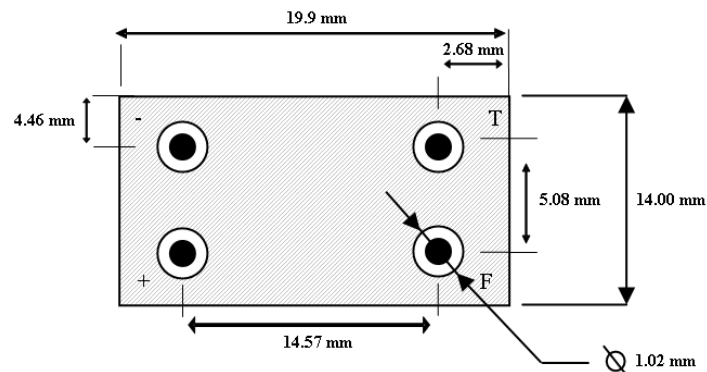
#### HTF3000LF PVH



| Dim | A    | B    | C    | D     | E    | F    | K    |
|-----|------|------|------|-------|------|------|------|
| Min | 17.9 | 12.0 | 10.7 | 14.25 | 4.80 | 1.76 | 0.54 |
| Max | 18.9 | 13.0 | 11.7 | 14.95 | 5.40 | 3.76 | 0.74 |

*Dimensions in millimeters*

#### RECOMMENDED THROUGH HOLE FOOTPRINT



## HTF3000LF - Temperature and Relative Humidity Module

---

### SOLDERING INFORMATION

---

HTF3000LF PVH: Hand soldering or wave soldering

---

### ORDERING INFORMATION

---

**HPP808H031 FOR HTF3000LF PVH**

**STORAGE: TUBE M.Q.P OF 48 PARTS; BOX M.Q.P OF 1008 PARTS (21 TUBES)**

Sample kit of HTF3000LF is available through MEASUREMENT SPECIALTIES web site:

<http://www.meas-spec.com/humidity-sensors.aspx>

#### Customer Service contact details

Measurement Specialties, Inc - MEAS France  
 Impasse Jeanne Benozzi  
 CS 83 163  
 31027 Toulouse Cedex 3  
 FRANCE  
 Tél: +33 (0)5 820 822 02  
 Fax: +33(0)5 820 821 51  
 Sales: [humidity.sales@meas-spec.com](mailto:humidity.sales@meas-spec.com)

| Revision | Comments   | Who                | Date        |
|----------|--|--------------------|-------------|
| F        | HTF3000LF RL reference added, product storage quantities added   | D. LE GALL         | November 07 |
| G        | Mechanical dimension tolerance updated   | D. BEZ             | December 07 |
| H        | Soldering information paragraph updated, chart2 improved (poor image), HTF3000LF SMD and HTF3000LF RL references removed | D. LE GALL         | January 08  |
| I        | Standardized datasheet format  | D. LE GALL         | April 08    |
| J        | New MEAS template, MEAS-France contact details updated   | D. LE GALL-ZIRILLI | October 12  |

The information in this sheet has been carefully reviewed and is believed to be accurate; however, no responsibility is assumed for inaccuracies. Furthermore, this information does not convey to the purchaser of such devices any license under the patent rights to the manufacturer. Measurement Specialties, Inc. reserves the right to make changes without further notice to any product herein. Measurement Specialties, Inc. makes no warranty, representation or guarantee regarding the suitability of its product for any particular purpose, nor does Measurement Specialties, Inc. assume any liability arising out of the application or use of any product or circuit and specifically disclaims any and all liability, including without limitation consequential or incidental damages. Typical parameters can and do vary in different applications. All operating parameters must be validated for each customer application by customer's technical experts. Measurement Specialties, Inc. does not convey any license under its patent rights nor the rights of others.