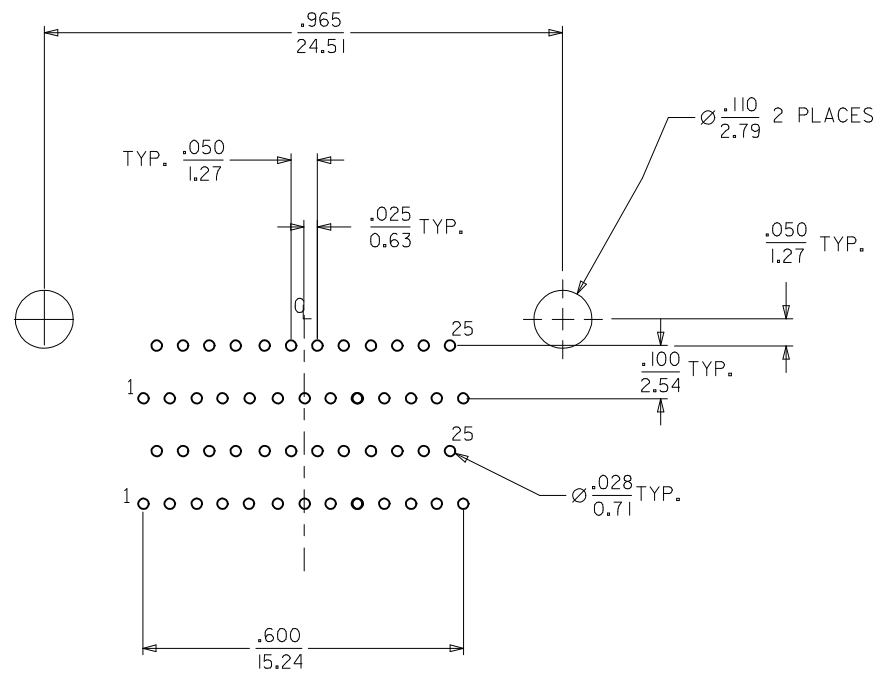


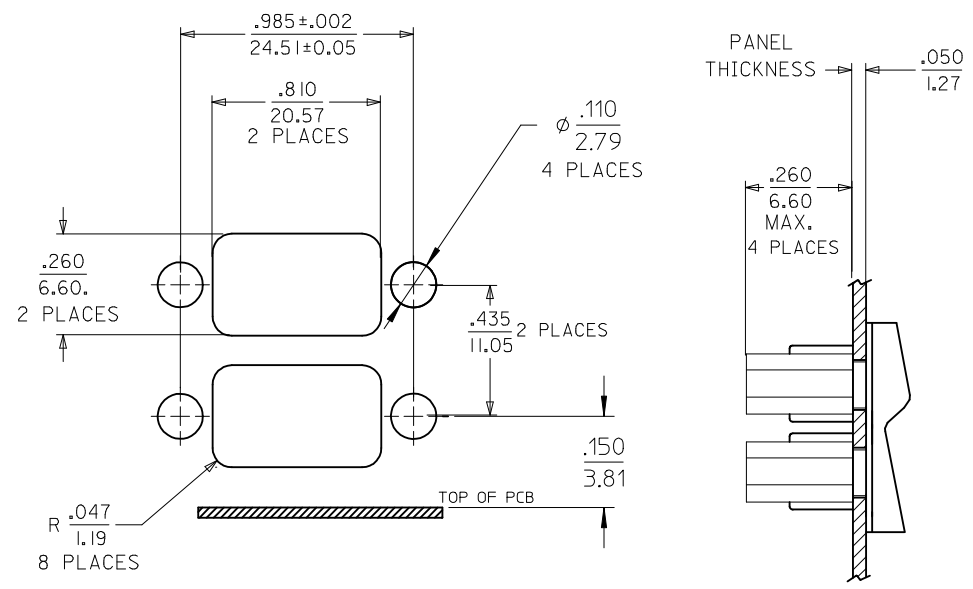
SALES DRAWING

1. MARKING: NONE.  
 2. SEE SHEET 2 FOR PCB LAYOUT AND PANEL CUT-OUT DIMENSIONS.  
 NOTES: UNLESS OTHERWISE SPECIFIED.

|  |                 |  |  |   |   |   |                      |                        |  |
|--|-----------------|--|--|---|---|---|----------------------|------------------------|--|
| ADD ISO VIEW<br>EC NO: IPG2017-0765<br>DRWN:RUPERT 2017/03/17<br>CHKD:<br>APPR:MLEUNG 2017/04/28 | QUALITY SYMBOLS | GENERAL TOLERANCES (UNLESS SPECIFIED)  |  | DIMENSION STYLE<br>IN/MM  |   | SCALE<br>2:1  | DESIGN UNITS<br>INCH | THIRD ANGLE PROJECTION |  |
|  | ▽=0<br>◻=0      | 4 PLACES ± --- ± ---<br>3 PLACES ± --- ± .005<br>2 PLACES ± 0.13 ± .01<br>1 PLACE ± 0.25 ± --- | mm INCH<br>± --- ± ---<br>± --- ± .005<br>± 0.13 ± .01<br>± 0.25 ± --- | DRAWN BY<br>JLOMASTR<br>04/09/22  | DATE<br>04/09/22  | TITLE<br>DUAL CONNECTOR PLUG<br>COMM. MICRO D PLUG R/A<br>SIZE 25 |                      |                        |  |
|  |                 | ANGULAR ± 1/2°   | CHECKED BY<br>RDEROSS<br>04/09/28                                      | DATE<br>04/09/28  | MOLEX INCORPORATED<br>DOCUMENT NO. SD-83619-007<br>SHEET NO. 1 OF 2 |   |                      |                        |  |
|  |                 | DRAFT WHERE APPLICABLE MUST REMAIN WITHIN DIMENSIONS   | APPROVED BY<br>JFMURPHY<br>2009/08/26                                  | DATE<br>2009/08/26  |   |   |                      |                        |  |
|  |                 |  | MATERIAL NO.<br>836199011  | THIS DRAWING CONTAINS INFORMATION THAT IS PROPRIETARY TO MOLEX INCORPORATED AND SHOULD NOT BE USED WITHOUT WRITTEN PERMISSION |   |   |                      |                        |  |

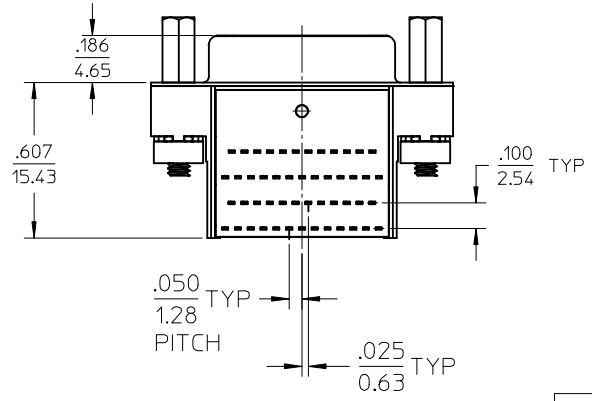
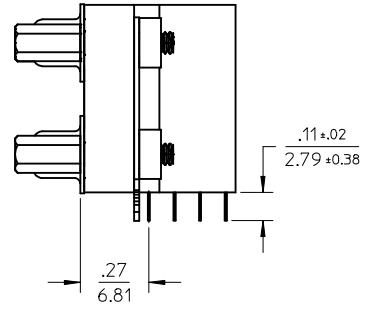
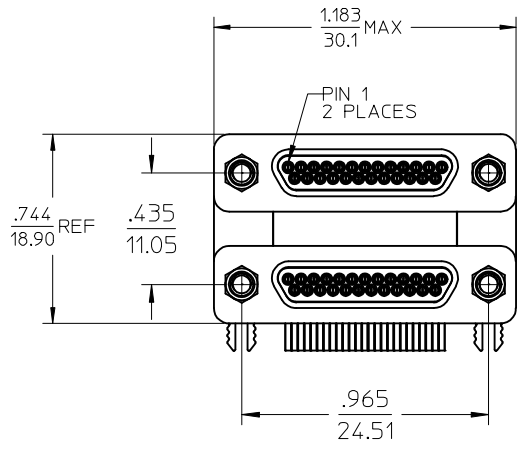
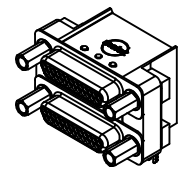


**RECOMMENDED  
P.C.B. LAY-OUT  
SOLDER SIDE**



**RECOMMENDED  
PANEL CUT-OUT**

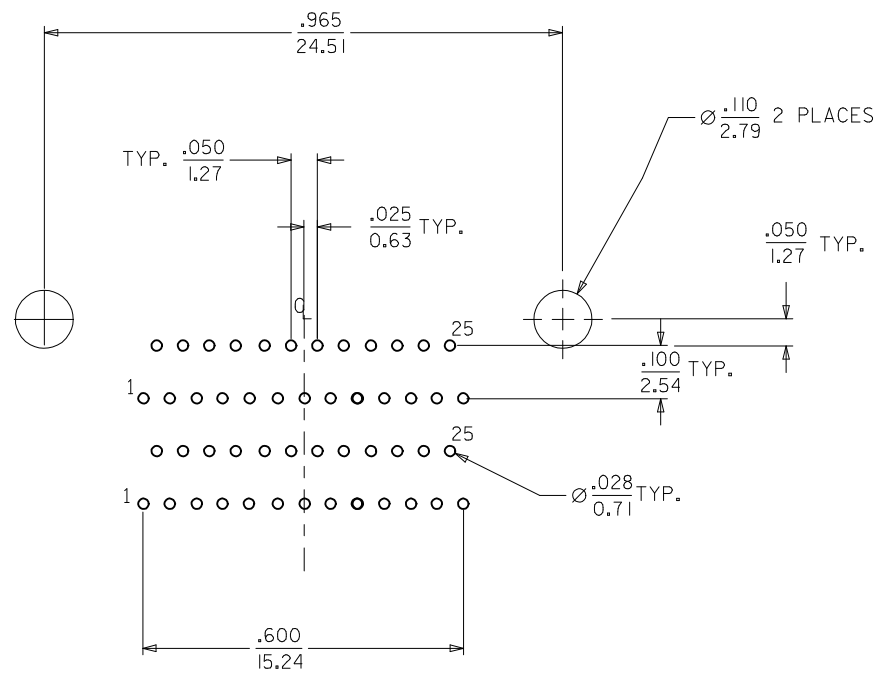
|  |                    |  |   |  |   |                  |   |
|--|--------------------|--|---|--|---|------------------|---|
| SEE SHEET 1<br>EC NO: IPG2017-0765<br>DRWN: BRUPERT 2017/03/17<br>CHKD:<br>APPR: WLEUNG 2017/04/28 | DESCRIPTION<br>REV | QUALITY SYMBOLS                                      | GENERAL TOLERANCES (UNLESS SPECIFIED)   | DIMENSION STYLE  | SCALE   | DESIGN UNITS     | THIRD ANGLE PROJECTION                                    |
|  |                    | ▽=0<br>□=0   | mm INCH<br>4 PLACES ± --- ± ---<br>3 PLACES ± --- ± .005<br>2 PLACES ± 0.13 ± .01<br>1 PLACE ± 0.25 ± ---<br>ANGULAR ± 1/2° | IN/MM<br>DRAWN BY: JLOMASTR DATE: 04/09/22<br>CHECKED BY: RDEROSS DATE: 04/09/28<br>APPROVED BY: JFMURPHY DATE: 2009/08/26<br>MATERIAL NO. | 2:1   | INCH             | TITLE: DUAL CONNECTOR PLUG COMM. MICRO D PLUG R/A SIZE 25 |
|  |                    | DRAFT WHERE APPLICABLE MUST REMAIN WITHIN DIMENSIONS | SIZE: A3  | THIS DRAWING CONTAINS INFORMATION THAT IS PROPRIETARY TO MOLEX INCORPORATED AND SHOULD NOT BE USED WITHOUT WRITTEN PERMISSION              | MOLEX INCORPORATED<br>DOCUMENT NO. SD-83619-007 | SHEET NO. 2 OF 2 |   |



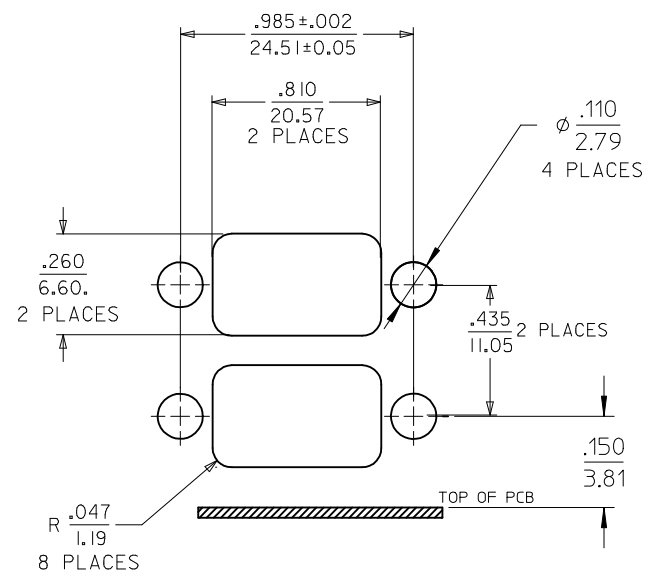
SALES DRAWING

1. MARKING: NONE.  
 2. SEE SHEET 2 FOR PCB LAYOUT AND PANEL CUT-OUT DIMENSIONS.  
 NOTES: UNLESS OTHERWISE SPECIFIED.

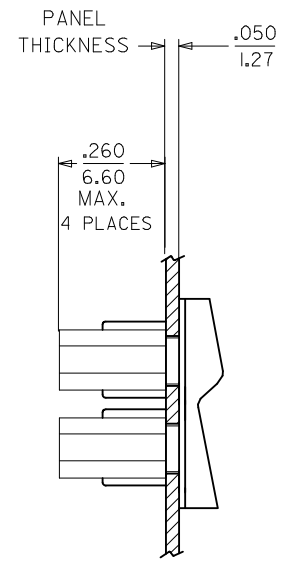
|  |                 |  |  |   |   |   |                      |                        |  |
|--|-----------------|--|--|---|---|---|----------------------|------------------------|--|
| ADD ISO VIEW<br>EC NO: IPG2017-0765<br>DRWN:RUPERT 2017/03/17<br>CHKD:<br>APPR:MLEUNG 2017/04/28 | QUALITY SYMBOLS | GENERAL TOLERANCES (UNLESS SPECIFIED)  |  | DIMENSION STYLE<br>IN/MM                      |   | SCALE<br>2:1  | DESIGN UNITS<br>INCH | THIRD ANGLE PROJECTION |  |
|  | ▽=0<br>∇=0      | 4 PLACES ± --- ± ---<br>3 PLACES ± --- ± .005<br>2 PLACES ± 0.13 ± .01<br>1 PLACE ± 0.25 ± --- | mm INCH<br>± --- ± ---<br>± --- ± .005<br>± 0.13 ± .01<br>± 0.25 ± --- | DRAWN BY<br>JLOMASTR<br>DATE<br>04/09/22      | CHECKED BY<br>RDEROSS<br>DATE<br>04/09/28       | TITLE<br>DUAL CONNECTOR PLUG<br>COMM. MICRO D PLUG R/A<br>SIZE 25 |                      |                        |  |
|  |                 | ANGULAR ± 1/2°   |  | APPROVED BY<br>JFMURPHY<br>DATE<br>2009/08/26 | MOLEX INCORPORATED<br>DOCUMENT NO. SD-83619-007 |   |                      |                        |  |
|  |                 | DRAFT WHERE APPLICABLE MUST REMAIN WITHIN DIMENSIONS   |  | MATERIAL NO.<br>836199011                     | SHEET NO.<br>1 OF 2                             |   |                      |                        |  |



**RECOMMENDED  
P.C.B. LAY-OUT  
SOLDER SIDE**



**RECOMMENDED  
PANEL CUT-OUT**



|  |  |   |   |                  |              |   |
|--|--|---|---|------------------|--------------|---|
| SEE SHEET 1<br>EC NO: IPG2017-0765<br>DRWN: BRUPERT 2017/03/17<br>CHKD:<br>APPR: WLEUNG 2017/04/28 | QUALITY SYMBOLS                                      | GENERAL TOLERANCES (UNLESS SPECIFIED)   | DIMENSION STYLE   | SCALE            | DESIGN UNITS | THIRD ANGLE PROJECTION  |
|  | ▽=0<br>◻=0   | mm INCH<br>4 PLACES ± --- ± ---<br>3 PLACES ± --- ± .005<br>2 PLACES ± 0.13 ± .01<br>1 PLACE ± 0.25 ± ---<br>ANGULAR ± 1/2° | IN/MM<br>DRAWN BY: JLOMASTR DATE: 04/09/22<br>CHECKED BY: RDEROSS DATE: 04/09/28<br>APPROVED BY: JFMURPHY DATE: 2009/08/26<br>MATERIAL NO.: 836199011 | 2:1              | INCH         | TITLE: DUAL CONNECTOR PLUG COMM. MICRO D PLUG R/A SIZE 25<br>MOLEX INCORPORATED<br>DOCUMENT NO.: SD-83619-007 |
|  | DRAFT WHERE APPLICABLE MUST REMAIN WITHIN DIMENSIONS | SIZE: A3  | THIS DRAWING CONTAINS INFORMATION THAT IS PROPRIETARY TO MOLEX INCORPORATED AND SHOULD NOT BE USED WITHOUT WRITTEN PERMISSION                         |                  |              |   |
|  | REV  | DESCRIPTION   | SHEET NO. 2 OF 2  | SHEET NO. 2 OF 2 |              |   |