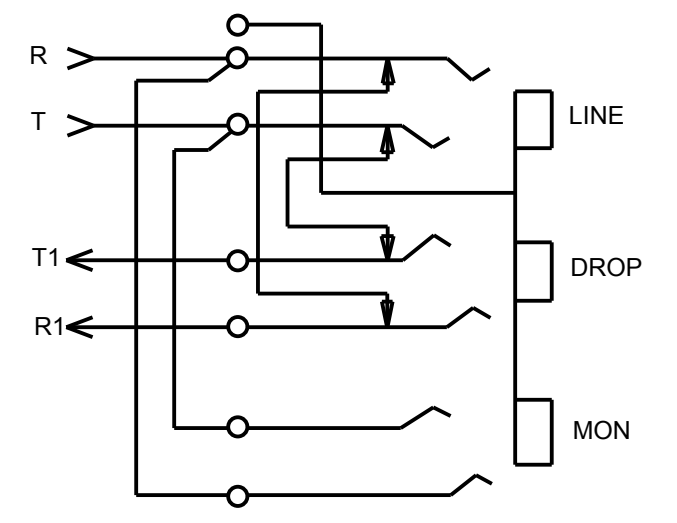
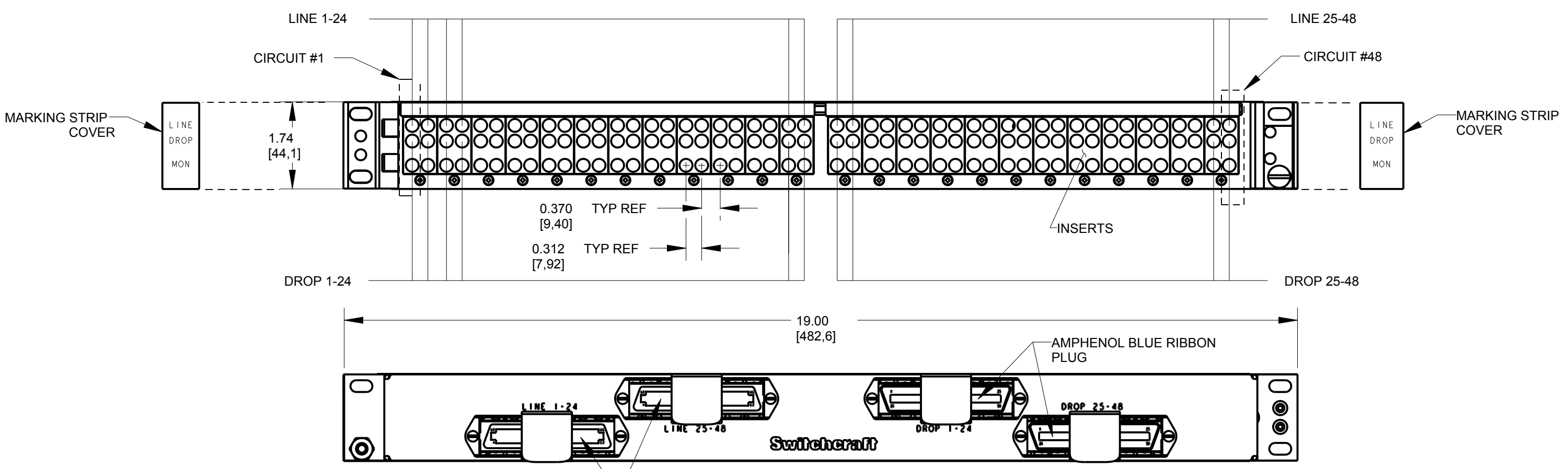


CONNECTION TABLE							
TO PLUG CONNECTOR		PIN		TO RECEPTACLE CONNECTOR		PIN	
CIRCUIT 1	DROP	T1	26	CIRCUIT 1	LINE	T	26
		R1	1			R	1
REPEATED				REPEATED			
CIRCUIT 24	DROP	T1	49	CIRCUIT 24	LINE	T	49
		R1	24			R	24
CIRCUIT 25	DROP	T1	26	CIRCUIT 25	LINE	T	26
		R1	1			R	1
REPEATED				REPEATED			
CIRCUIT 48	DROP	T1	49	CIRCUIT 48	LINE	T	49
		R1	24			R	24



SCHEMATIC
2 WIRE WITH MONITOR
TYPICAL OF 48 CIRCUITS



NOTES:
1. MARKING STRIPS AND COVERS SHIPPED UNASSEMBLED.

REV	ECO NUMBER	DATE	BY	APVD
H	27999	02-08-18	PC	TJK
G	23554 REDRAWN ON CAD	10-11-00	TO	TJK

★ STAR SYMBOL DENOTES CRITICAL DIMENSION

UNLESS OTHERWISE SPECIFIED

1. ALL DIMENSIONS IN INCHES
-TWO PLACE DECIMALS ±0.01
-THREE PLACE DECIMALS ±0.005
-ANGLES ±1°
-ALL DIA. CONCENTRIC WITHIN 0.005 T.I.R.

2. FEATURES ON THE SAME CENTERLINE MUST BE ALIGNED WITHIN ±0.002

3. REMOVE ALL BURRS

DO NOT SCALE DRAWING

CUSTOMER DRAWING

THIS DRAWING DESCRIBES A DESIGN CONSIDERED PROPRIETARY IN NATURE, DEVELOPED AND MANUFACTURED BY SWITCHCRAFT INC. AND IS RELEASED ON A CONFIDENTIAL BASIS FOR IDENTIFICATION PURPOSES ONLY.				
SIZE	WIDTH	MULT	LBS/M	TEMPER
FINISH		MATERIAL		
SPEC No.		SPEC No.		
FIRST USED ON		SCALE		
		1:2		
DATE DRAWN	BY	CHKD	APVD	Switchcraft
30-Jun-03	JL	EB	EB	
NAME				PART No.
2 WIRE CONNECTORIZED JACKFIELD				TT2W48MCF1
SHEET 1 OF 1				REV H