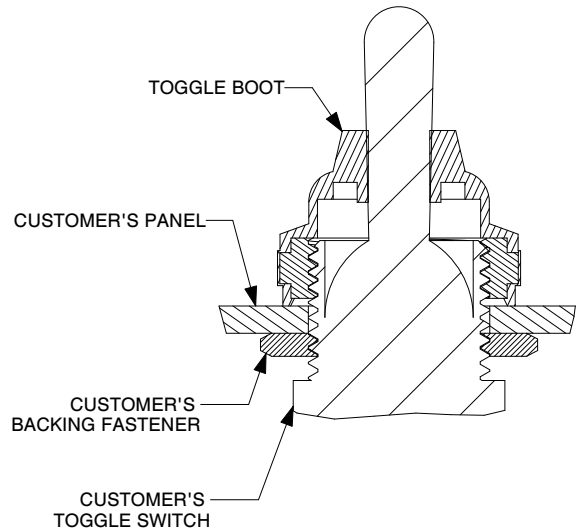
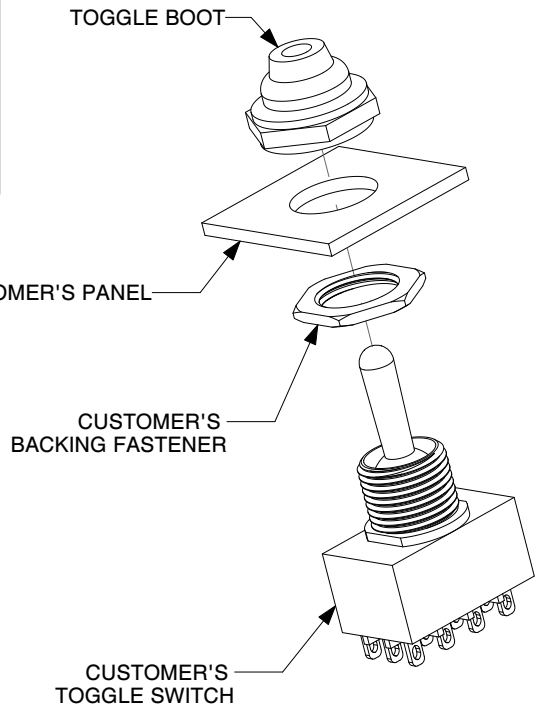
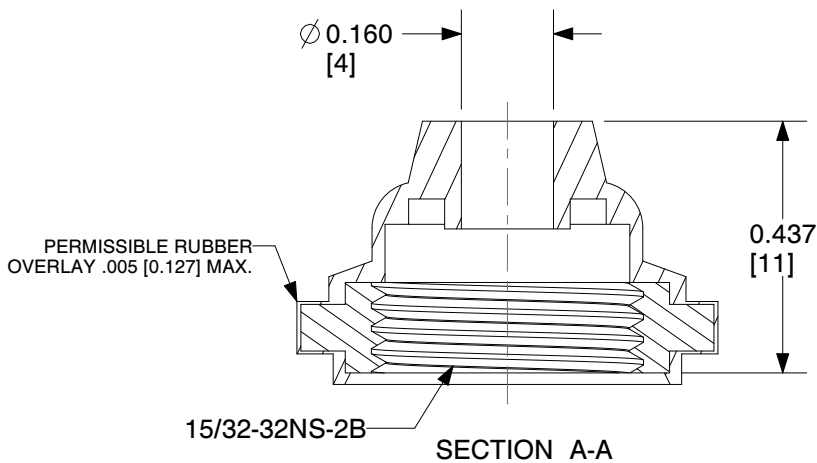
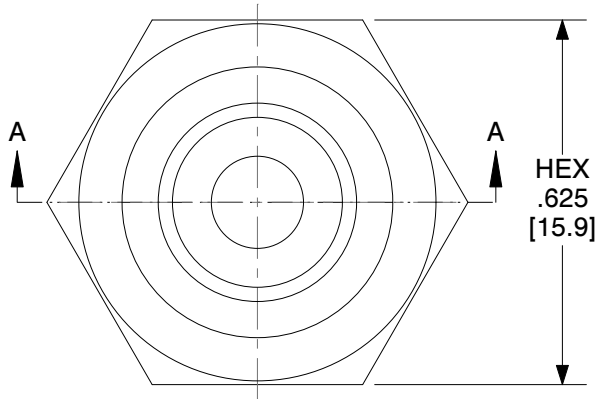


**SPECIFICATIONS**

**Material:** Silicone rubber conforms to AA-59588 Class III, GR50 (unless otherwise specified).  
**Mounting Nut:** Brass, black oxide  
**Temperature Range:** -94° F to +400° F (-70° C to +204° C).  
**Pressure Range:** Exceeds 15 psi internal and 1500 psi external.  
**Operational Life:** 50,000 actuations (minimum).  
**Shelf Life:** Excess of 25 years.  
**Resistant to:** Salt spray, sunlight, ozone, weather, fungus, and most acids and lubricating oils.  
**Agency Recognition:** UL & ULC Recognized to UL Std. 50



TOLERANCES: UNLESS OTHERWISE NOTED  $\pm 1/32$  [ $\pm 0.793$ ].

REV.	DESCRIPTION	DATE							
A	REVISED THREADS NOTATION FROM 1/2-32 TO 15/32-32	DAN LAW 10.10.12							
<table border="1"> <tr> <td rowspan="3"> <b>MAXIMUM AND MINIMUM MEASUREMENTS ARE STATED DIRECTLY ON EACH DIMENSION.</b>  <b>MAT'L: SILICONE RUBBER conforms to A-A-59588, Gr.50</b>  <b>FINISH: GRAY</b> </td> <td> <b>TITLE:</b>  <b>BOOT TOGGLE SWITCH EXPOSED BAT (N-1030B 160 ID)</b> </td> <td> <b>ENG.</b> S. GOK  <b>DWN.</b> S. GOK  <b>CHKD.</b> KEN S.                 </td> <td> <b>03.04.09</b>  <b>03.04.09</b>  <b>10.10.12</b> </td> </tr> <tr> <td> <b>APM-HEXSEAL CORPORATION</b> </td> <td> <b>SCALE</b> 3:1  <b>DWG.NO.</b> N1030B 160 ID                 </td> <td></td> </tr> </table>			<b>MAXIMUM AND MINIMUM MEASUREMENTS ARE STATED DIRECTLY ON EACH DIMENSION.</b> <b>MAT'L: SILICONE RUBBER conforms to A-A-59588, Gr.50</b> <b>FINISH: GRAY</b>	<b>TITLE:</b> <b>BOOT TOGGLE SWITCH EXPOSED BAT (N-1030B 160 ID)</b>	<b>ENG.</b> S. GOK <b>DWN.</b> S. GOK <b>CHKD.</b> KEN S.	<b>03.04.09</b> <b>03.04.09</b> <b>10.10.12</b>	<b>APM-HEXSEAL CORPORATION</b>	<b>SCALE</b> 3:1 <b>DWG.NO.</b> N1030B 160 ID	
<b>MAXIMUM AND MINIMUM MEASUREMENTS ARE STATED DIRECTLY ON EACH DIMENSION.</b> <b>MAT'L: SILICONE RUBBER conforms to A-A-59588, Gr.50</b> <b>FINISH: GRAY</b>	<b>TITLE:</b> <b>BOOT TOGGLE SWITCH EXPOSED BAT (N-1030B 160 ID)</b>	<b>ENG.</b> S. GOK <b>DWN.</b> S. GOK <b>CHKD.</b> KEN S.		<b>03.04.09</b> <b>03.04.09</b> <b>10.10.12</b>					
	<b>APM-HEXSEAL CORPORATION</b>	<b>SCALE</b> 3:1 <b>DWG.NO.</b> N1030B 160 ID							

THIS DRAWING COVERS PROPRIETARY ITEM AND IS THE PROPERTY OF THE APM-HEXSEAL CORPORATION. THIS DRAWING IS NOT TO BE COPIED OR USED WITHOUT THE WRITTEN APPROVAL OF AN OFFICER OF THE APM-HEXSEAL CORPORATION.