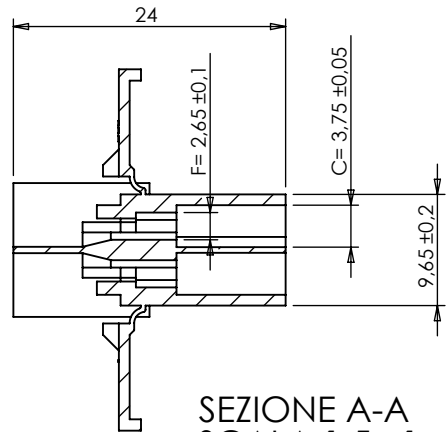
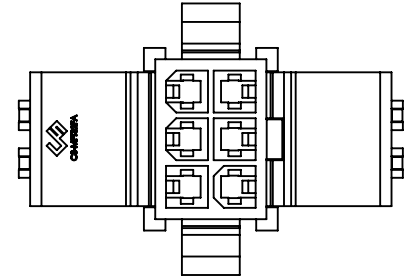
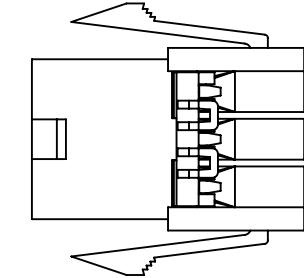
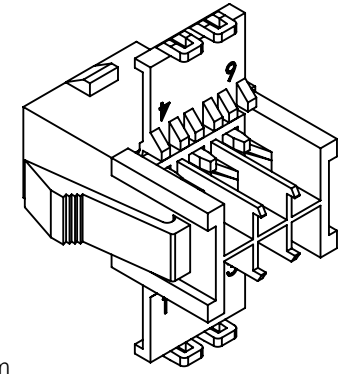
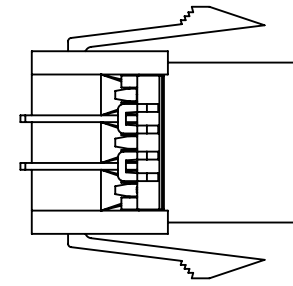
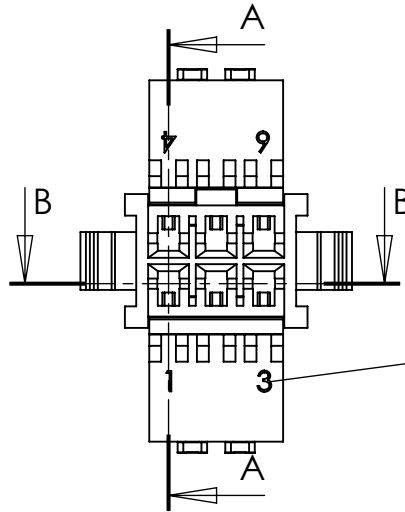


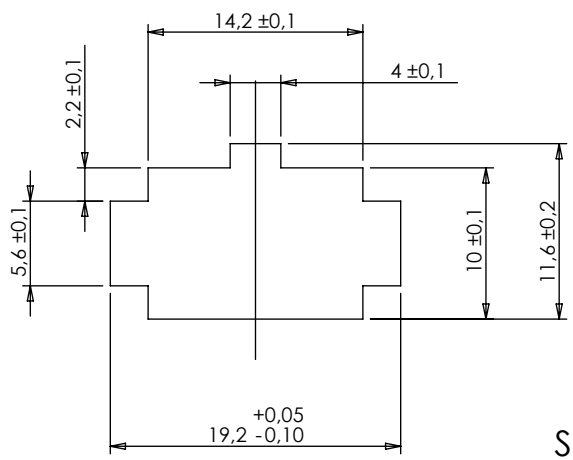
This drawing and all informations contained here can not be used or reproduced, integrity or partially, without written authorization by Colombo Sergio & Figli.



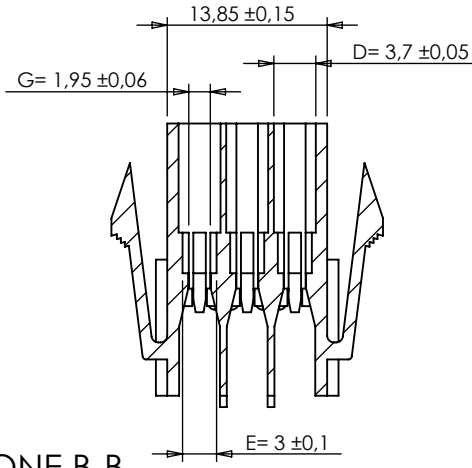
SEZIONE A-A  
SCALA 1.5 : 1



Way number in the housing, thickness 0,05 mm

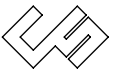
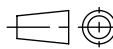


SEZIONE B-B  
SCALA 1.5 : 1



Spessore lamiera 0,8 - 2 mm

| DIMENSIONS WITHOUT TOLERANCES |        | CS-MFT32FAV0 | PA6/66 UL94 V-0                          |
|-------------------------------|--------|--------------|--|
| ∠ ±2°                         | 0 - 6  | ±0.1         | CS-MFT32FAV0750NF PA66 UL94 V-0 GWIT 775 |
|                               | 6 - 30 | ±0.2         | CS-MFT32FA-G PA6 UL94 V-2 GWIT 775       |
|                               | > 30   | ±0.3         | PART NUMBER MATERIAL                     |

|  |   |   |
|--|---|---|
| INDEX  | MODIFICATION                                  | DATE  |
|  COLOMBO SERGIO e Figli S.r.l.<br>20063 CERNUSCO S/N - VIA COMO, 11<br>TEL +39.02.9210.7404 - FAX +39.02.9210.0217<br>http://www.cscolombo.com - e-mail: info@cscolombo.com |   |  |
| CHECKED BY   | DATE  | DESIGN UNITS  |
| Stefano Galimberti   | 15-02-2012                                    | METRIC  |
| DRAWN BY   | DATE  | WEIGHT  |
| Stefano Querzoli   | 15-02-2012                                    |   |
| SCALE  | CAD REFER                                     | SIZE  |
| 1.5:1  | Y:\dis\cs\mft\mftxxf\mftxxfa sec lock\tavole\ | A4  |
| BASE CODE  | DESCRIPTION                                   |   |
| CS-MFT32FA   | MFT FEMALE CONNECTOR FOR PANEL, 3X2 POLES     |   |

E D C B A

1  
2  
3  
4

1  
2  
3  
4