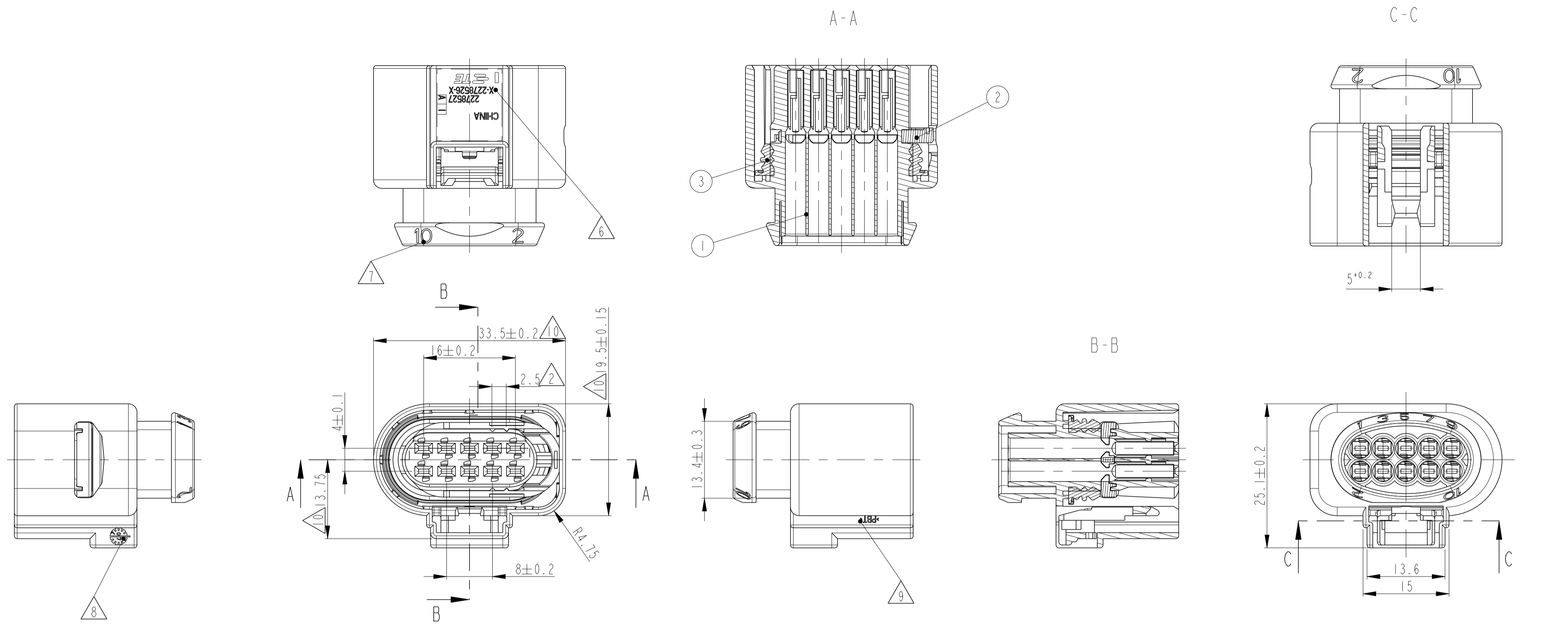
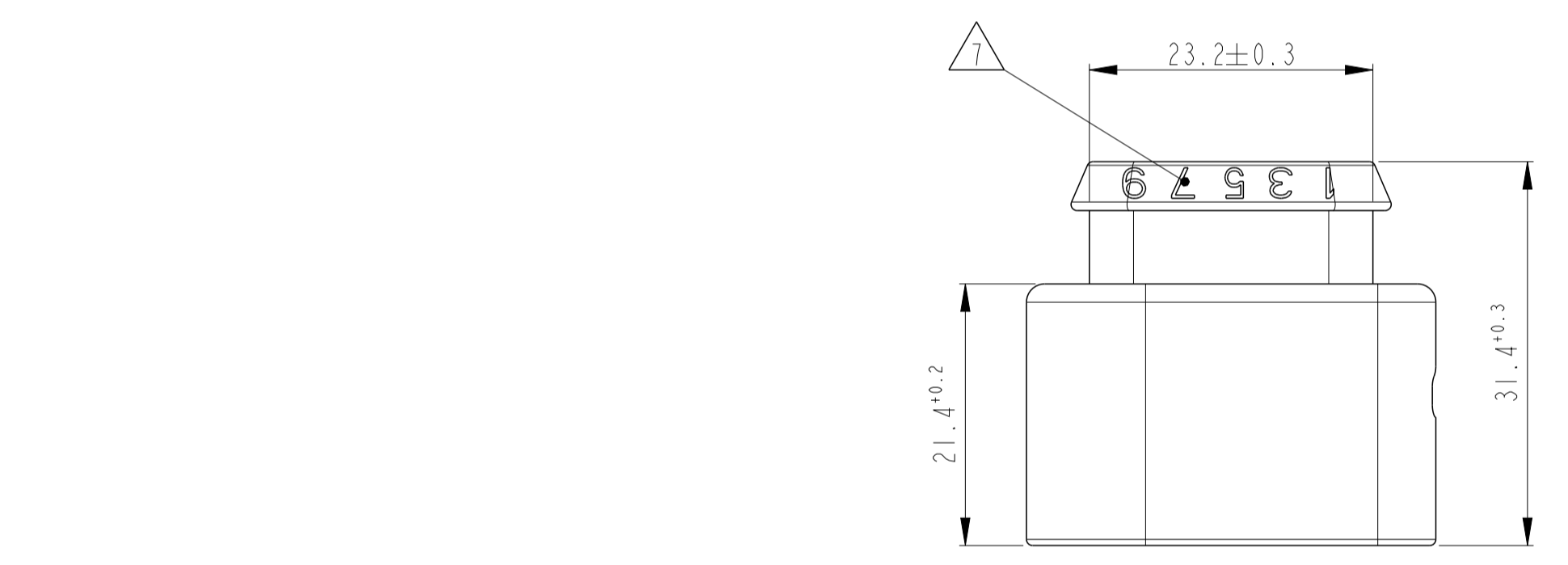


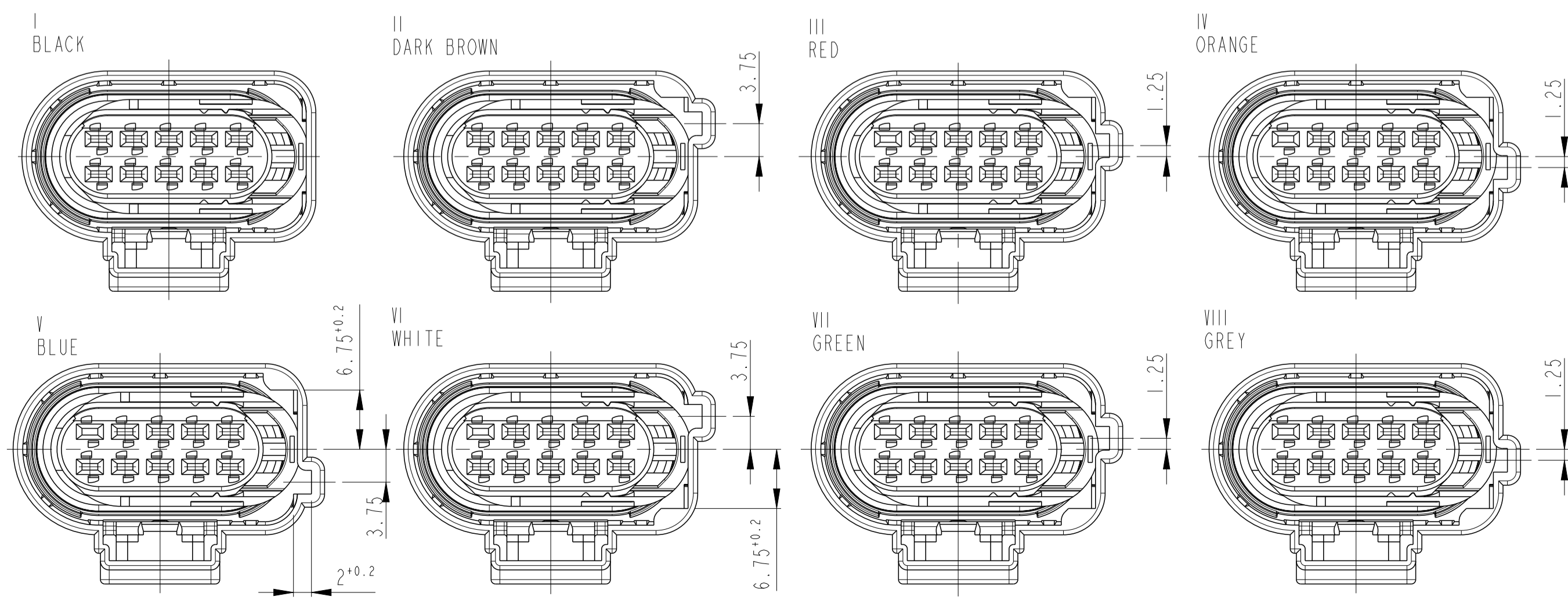
| REVISIONS | | | | |
|-----------|-----|---------------|-----------|----------|
| P. | LTN | DESCRIPTION | DATE | DWN APVD |
| A | | NEW DRAWING | 07JUL2014 | T.W S.W |
| A3 | | ECR-22-161786 | 20DEC 22 | S.X J.Z |



- NOTES
- 1 SUITABLE MATING PARTS ACCORDING TO 114-18130-1
 - 2 CONDITION AS SUPPLIED: RETAINER IN PRE-LOCKED POSITION, AFTER CONTACT LOADING TO DRIFT IN THIS DIRECTION (2.5mm)
 - 3 BULK PACKAGED
 - 4 WITHOUT CPA (CONNECTOR POSITION ASSURANCE)
 - 5 WITH CPA
 - 6 PART NO., SEE TABLE
 - 7 CONTACT CAVITY NUMBER
 - 8 PRODUCTION-DATE
 - 9 MATERIAL MARKING
 - 10 ALLOWED WARPAGE ± 0.5
 - A3 11 *-2278526-* IS SUZHOU VERSION PN THAT IS THE SIMILAR PERFORMANCE OF *-1563498-*



CODINGS



| REV | PART NO. | REV | MATERIAL | COLOR | RAL-NO | DESCRIPTION | ITEM NO |
|------|-------------|-----|----------|------------|--------|-------------------------|---------|
| VIII | 6-2278526-8 | A | PBT-GF10 | RED | 3003 | CPA | 4 |
| | | | MVO | NATURAL | - | RADIAL SEAL | 3 |
| | | | PBT-GF10 | VIOLET | 4006 | RETAINER | 2 |
| VII | 6-2278526-7 | A | PBT | GREY | 7036 | IOPOSITION, AMP MCPI.5K | 1 |
| | | | PBT-GF10 | RED | 3003 | CPA | 4 |
| | | | MVO | NATURAL | - | RADIAL SEAL | 3 |
| VI | 6-2278526-6 | A | PBT-GF10 | VIOLET | 4006 | RETAINER | 2 |
| | | | PBT | GREEN | 6018 | IOPOSITION, AMP MCPI.5K | 1 |
| | | | PBT-GF10 | RED | 3003 | CPA | 4 |
| V | 6-2278526-5 | A | MVO | NATURAL | - | RADIAL SEAL | 3 |
| | | | PBT-GF10 | VIOLET | 4006 | RETAINER | 2 |
| | | | PBT | WHITE | 9010 | IOPOSITION, AMP MCPI.5K | 1 |
| IV | 6-2278526-4 | A | PBT-GF10 | RED | 3003 | CPA | 4 |
| | | | MVO | NATURAL | - | RADIAL SEAL | 3 |
| | | | PBT-GF10 | VIOLET | 4006 | RETAINER | 2 |
| III | 6-2278526-3 | A | PBT-GF10 | RED | 3003 | CPA | 4 |
| | | | MVO | NATURAL | - | RADIAL SEAL | 3 |
| | | | PBT-GF10 | VIOLET | 4006 | RETAINER | 2 |
| II | 6-2278526-2 | A | PBT | DARK BROWN | 8012 | IOPOSITION, AMP MCPI.5K | 1 |
| | | | PBT-GF10 | RED | 3003 | CPA | 4 |
| | | | MVO | NATURAL | - | RADIAL SEAL | 3 |
| I | 6-2278526-1 | A | PBT-GF10 | VIOLET | 4006 | RETAINER | 2 |
| | | | PBT | BLACK | 9011 | IOPOSITION, AMP MCPI.5K | 1 |
| | | | MVO | NATURAL | - | RADIAL SEAL | 3 |
| VIII | 2278526-8 | A | PBT-GF10 | VIOLET | 4006 | RETAINER | 2 |
| | | | PBT | GREY | 7036 | IOPOSITION, AMP MCPI.5K | 1 |
| | | | MVO | NATURAL | - | RADIAL SEAL | 3 |
| VII | 2278526-7 | A | MVO | NATURAL | - | RADIAL SEAL | 3 |
| | | | PBT-GF10 | VIOLET | 4006 | RETAINER | 2 |
| | | | PBT | GREEN | 6018 | IOPOSITION, AMP MCPI.5K | 1 |
| VI | 2278526-6 | A | PBT-GF10 | VIOLET | 4006 | RETAINER | 2 |
| | | | PBT | WHITE | 9010 | IOPOSITION, AMP MCPI.5K | 1 |
| | | | MVO | NATURAL | - | RADIAL SEAL | 3 |
| V | 2278526-5 | A | PBT-GF10 | VIOLET | 4006 | RETAINER | 2 |
| | | | PBT | BLUE | 5012 | IOPOSITION, AMP MCPI.5K | 1 |
| | | | MVO | NATURAL | - | RADIAL SEAL | 3 |
| IV | 2278526-4 | A | PBT-GF10 | VIOLET | 4006 | RETAINER | 2 |
| | | | PBT | ORANGE | 2003 | IOPOSITION, AMP MCPI.5K | 1 |
| | | | MVO | NATURAL | - | RADIAL SEAL | 3 |
| III | 2278526-3 | A | PBT-GF10 | VIOLET | 4006 | RETAINER | 2 |
| | | | PBT | RED | 3003 | IOPOSITION, AMP MCPI.5K | 1 |
| | | | MVO | NATURAL | - | RADIAL SEAL | 3 |
| II | 2278526-2 | A | PBT-GF10 | VIOLET | 4006 | RETAINER | 2 |
| | | | PBT | DARK BROWN | 8012 | IOPOSITION, AMP MCPI.5K | 1 |
| | | | MVO | NATURAL | - | RADIAL SEAL | 3 |
| I | 2278526-1 | A | PBT-GF10 | VIOLET | 4006 | RETAINER | 2 |
| | | | PBT | BLACK | 9011 | IOPOSITION, AMP MCPI.5K | 1 |
| | | | MVO | NATURAL | - | RADIAL SEAL | 3 |

THIS DRAWING IS A CONTROLLED DOCUMENT.

DIMENSIONS: mm

TOLERANCES UNLESS OTHERWISE SPECIFIED:

PLC ± 0.1

PCC ± 0.1

PLC ± 0.1

PLC ± 0.1

FINISH ± 0.1

APPROVED: S. WANG 11JUL2014

NAME: IOPOSITION, AMP MCPI.5K, RECEPTACLE HOUSING, ASSEMBLY

SIZE: A1

CAGE CODE: 00779

DRAWING NO: C=2278526

RESTRICTED TO: -

CUSTOMER DRAWING

SCALE: 3:1

SHEET: 1 OF 1

REV: A3