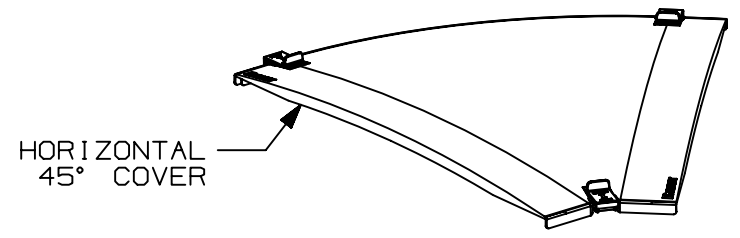
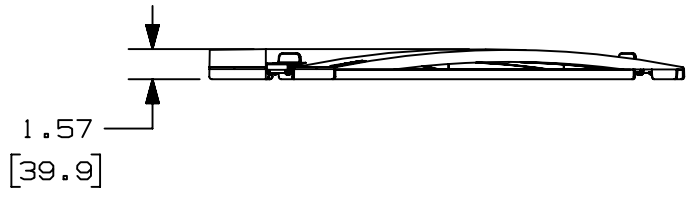
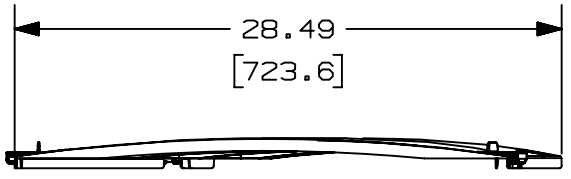
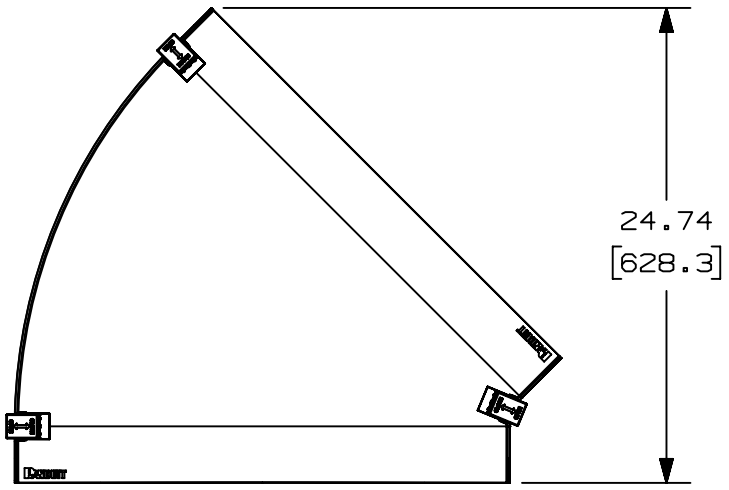


THIS COPY IS PROVIDED ON A RESTRICTED BASIS AND IS NOT TO BE USED IN ANY WAY DETRIMENTAL TO THE INTERESTS OF PANDUIT CORP.

NOTES:

- 1. SEE CURRENT CATALOG FOR ADDITIONAL PART SUFFIXES TO INDICATE COLOR AND/OR PACKAGE QUANTITY.
- 2. DIMENSIONS IN PARENTHESES ARE IN METRIC.
- 3. PARTS SUPPLIED:  
(1) - HORIZONTAL 45° COVER

PANDUIT PART NUMBER	WEIGHT	MATERIAL
FRH45CV24**	3.18 LB/EACH (1442g/EACH)	ABS
FRH45CV24L**	3.18 LB/EACH (1442g/EACH)	PC/ABS



B

B

A

A

D10100DA/20

REV	DATE	BY	CHK	APR	DESCRIPTION	ECN
00B	9/1/20	MEX-JAGC	DWR	DWR	ADDED PART NUMBER UPDATED DRAWING BORDER & TITLE BLOCK	V09002DZ/11

TITLE <b>FIBERRUNNER 24x4 HORIZONTAL 45° ANGLE COVER (FRH45CV24**, FRH45CV24L**)</b>					
CUSTOMER DRAWING					
ITEM REVISION NAME <b>D39701EA/00</b>			<b>PANDUIT</b>		
DATASET FILE NAME <b>D39701EA_DC/00B</b>					
DRAWING NUMBER: <b>39701-68</b>				MATERIAL: <b>SEE PART NUMBER TABLE ABOVE</b>	
THIRD ANGLE PROJECTION					
DRAWN BY <b>MSO</b>	DATE <b>7/8/09</b>	CHK <b>SL</b>	SCALE <b>NONE</b>	SHT 1 OF 1	SIZE <b>A</b>