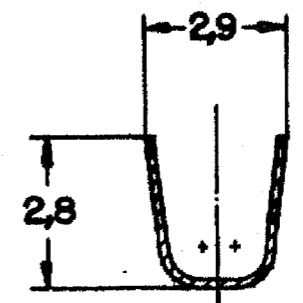
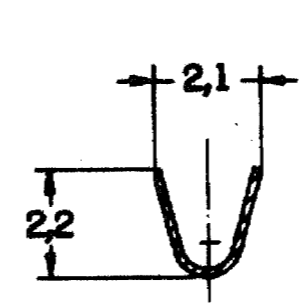
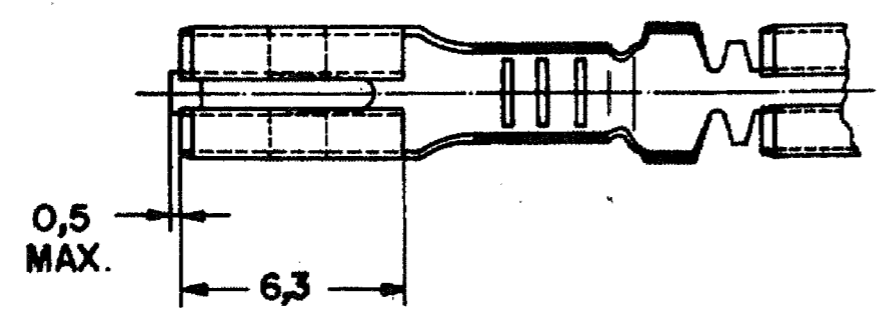


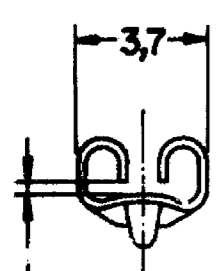
DWG NO.		DO NOT SCALE		<b>METRIC</b>		3/6 ANGLE PROJECTION	
		DIMENSIONS IN mm.					
REQ. PER ASSY	ITEM	DESCRIPTION	MATERIAL	FINISH			



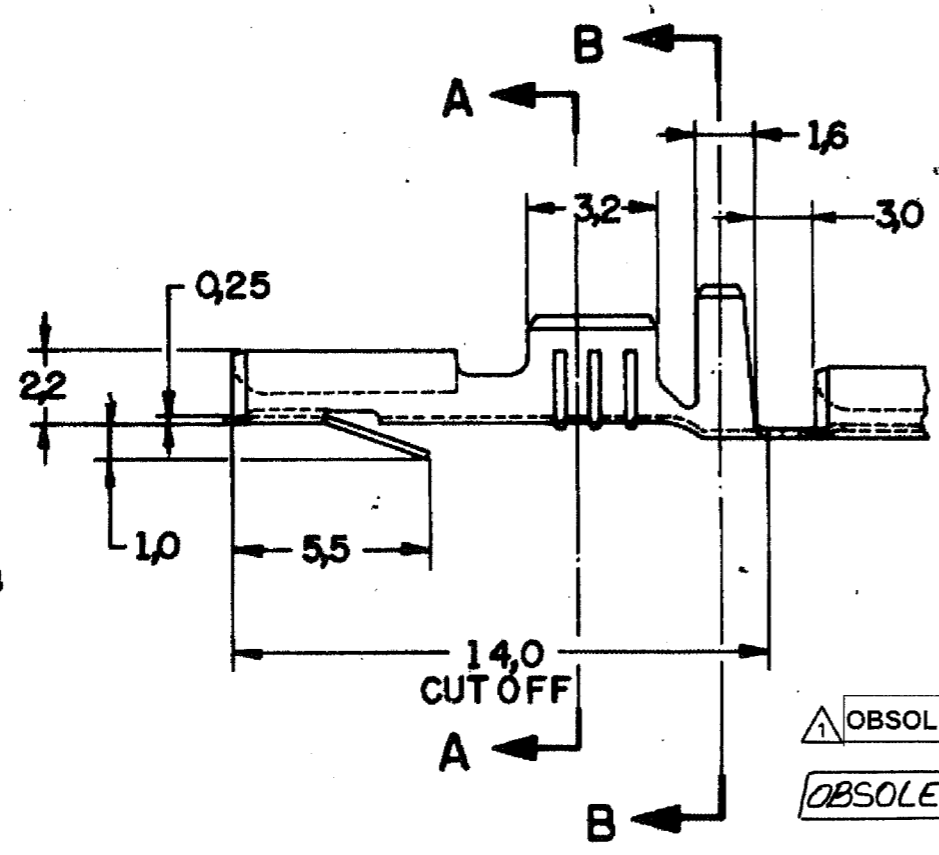
**SECCÃO A-A**  
**SECTION**

**SECCÃO B-B**  
**SECTION**

⚠ OBSOLETE PARTS: OBSOLETE CIS STREAMLINING PER D.RENAUD/D.SINISI



PARA TAB DE 0,8  
ESPESSURA.  
FOR 0,8 TAB.



⚠ OBSOLETE  
OBSOLETE

	PRÉ ESTANHADO	LATÃO	881504 - 5
		BRONZE FOSFOROSO	-3
	INATIVO	ESTANHADO	-2
		LATÃO	881504 - 1
LOOSE PIECE	FINISH	MATERIAL	PART NUMBER
<b>CUSTOMER DWG</b> for REFERENCE ONLY		TOLERANCES UNLESS OTHERWISE STATED DEC. 2 0,5 ANGLES 2°	
		IND. DIA. RANGE	WIRE RANGE
		1,27 - 2,03mm	0,30 - 0,56mm
		AMP do BRASIL LTDA São Paulo, Brasil	
		DESCRIPTION .110 SERIES RECEPTACLE FASTIN - FASTON	
REV. ECO 17-013915 HC 21SEP73		A3	
REVISED PER ECO-09-026444 KK/AEG 28NOV09		C 881504	
REVISION RECORD		DRAWING NO. 1001	
ECO	DATE	SHEET 1 of 1	