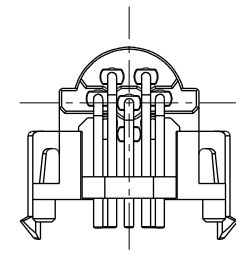
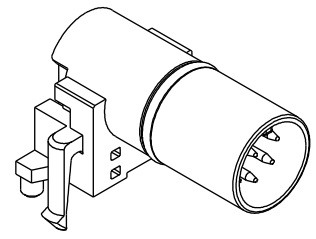
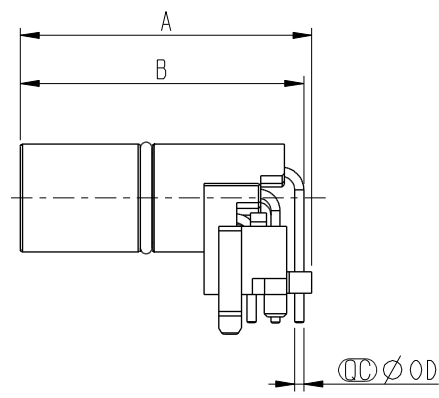
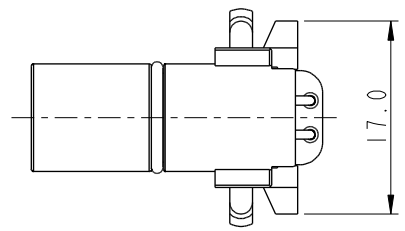
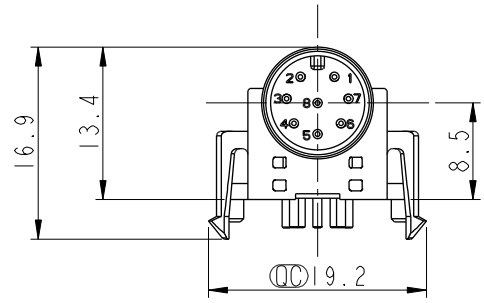


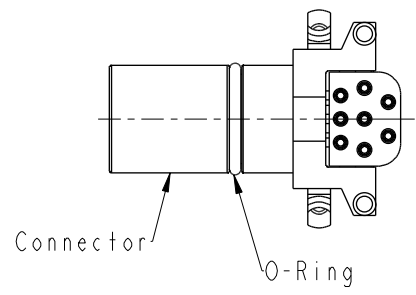
THIS DOCUMENT IS SUBJECT TO CHANGE WITHOUT NOTICE. IT IS CONFIDENTIAL AND A PROPERTY OF Amphenol LTW. DISCLOSURE TO THIRD PARTY HAS TO BE AUTHORIZED BY Amphenol LTW.

REV.	ECN NO.	DATE	SIGN	DESCRIPTION
A		2022-01-20	Jiahe Lin	Rev.01 To Rev.A

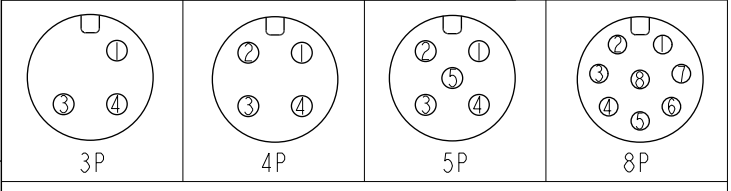
M12A-XXPMMR-EE0001  
 XX: No. Of Pin



M12A-03PMMR-EE0001	25.9	24.8	1.0
M12A-04PMMR-EE0001	25.9	24.8	1.0
M12A-05PMMR-EE0001	25.9	24.8	1.0
M12A-08PMMR-EE0001	25.7	25.0	0.8
Item No.	A	B	OD



Note:  
 \* RoHS Compliant  
 \*  $\varnothing$  Important dimension  
 \* Waterproof rate: Non-Waterproof  
 \* Connector  
 Housing: Thermoplastic, Black  
 Pin: Copper alloy, Gold plated  
 O-Ring: Rubber, Black  
 \* For pcb thickness max: 1.6mm



Pin Assignment Front View

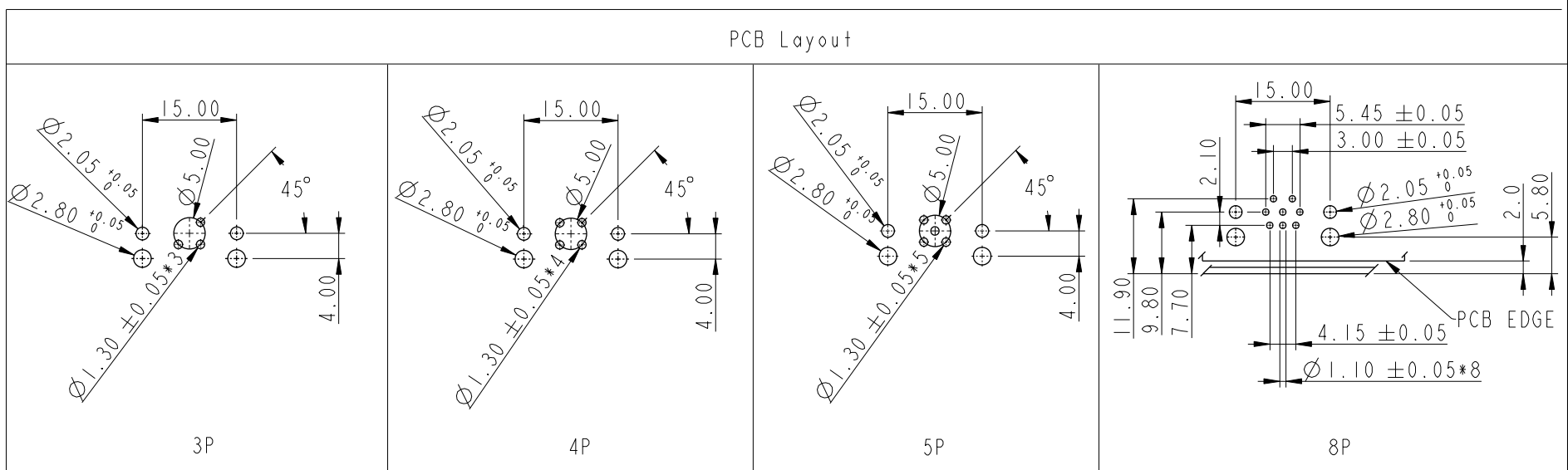
UNIT: mm			TITLE N SEN, M12 A, RECEPTACLE, M, M, PCB R
TOLERANCE .X ±0.25 .XX ±0.1 .XXX ±0.05 ANGLES ±1°	SCALE 3:2	SIZE A4	SHEET 1 OF 2
REV. A	WC-REV. A.1	$\varnothing$ : Inspection item	

**Amphenol LTW**  
 安費諾亮泰企業股份有限公司

ITEM NO.	DRAWN BY Jiahe Lin	DATE 2022-01-20
DWG NO. M12A-XXPMMR-EE0001	CHECKED BY Allen Pan	DATE 2022-01-20
CUSTOMER ALTW	APPROVED BY Fred Lee	DATE 2022-01-20

THIS DOCUMENT IS SUBJECT TO CHANGE WITHOUT NOTICE. IT IS CONFIDENTIAL AND A PROPERTY OF Amphenol LTW. DISCLOSURE TO THIRD PARTY HAS TO BE AUTHORIZED BY Amphenol LTW.

PCB Layout



3P

4P

5P

8P

UNIT: mm			
TOLERANCE			
.X	±0.25		
.XX	±0.1		
.XXX	±0.05		
ANGLES	±1°		

TITLE N SEN, M12 A RECEPTACLE, M, M, PCB R			
SCALE 3:2	SIZE A4	SHEET 2 OF 2	
REV. A	WC-REV. A.1	☉: Inspection item	

**Amphenol LTW**  
安費諾亮泰企業股份有限公司

ITEM NO	DWG NO M12A-XXPMMR-EE0001
CUSTOMER ALTW	

DRAWN BY Jiahe Lin	CHECKED BY Allen Pan
APPROVED BY Fred Lee	

DATE 2022-01-20	DATE 2022-01-20
DATE 2022-01-20	DATE 2022-01-20