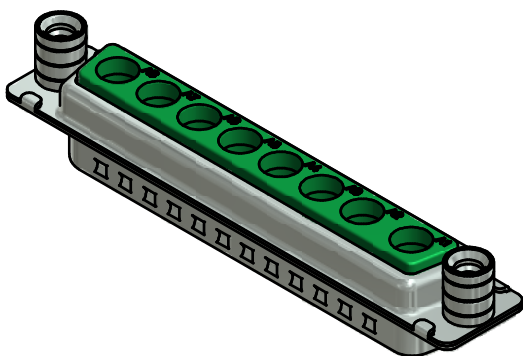
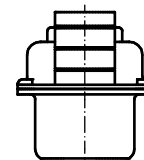
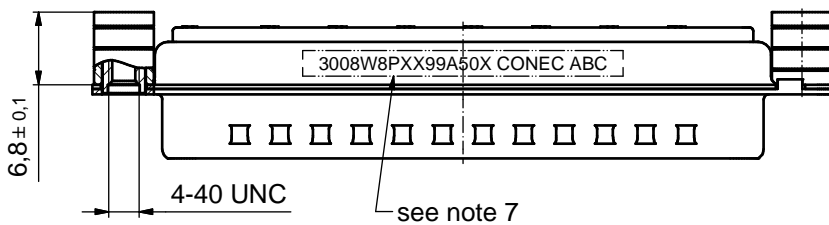
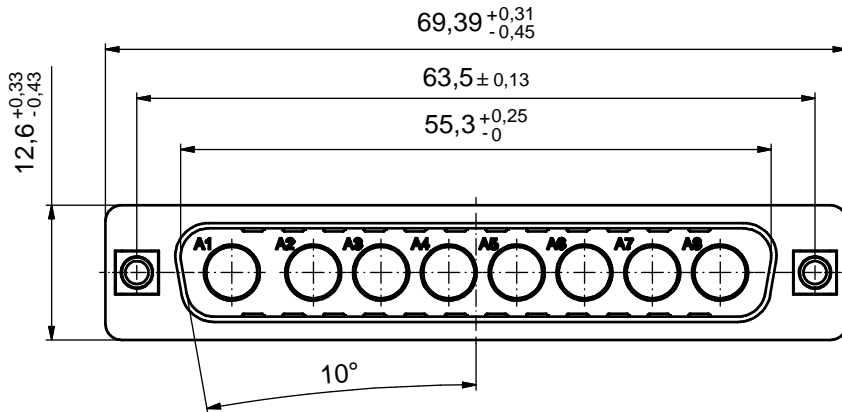
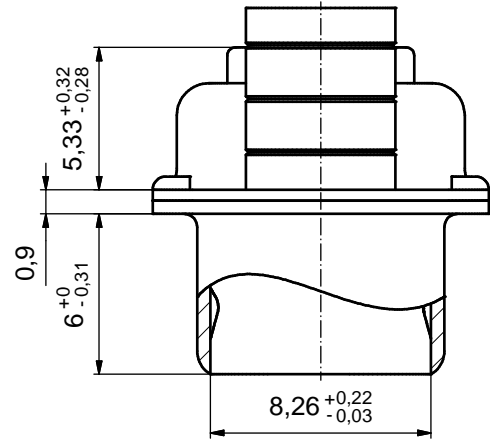


(5:1)



NOTES:

1. METALSHELLS: STEEL; min. 315µm TIN over 40-80µm NICKEL
2. INSULATORS: PBT GF UL 94 V-0; GREEN
3. NO CONTACTS ON POS. A1 - A8
4. THREADED REAR SPACER: COPPER ALLOY; min. 200µm TIN over 80µm NICKEL
5. SLEEVE: COPPER ALLOY; min. 200µm TIN over 80µm NICKEL
6. MAXIMUM TORQUE VALUE FOR THREAD: 6 in.LB
7. CONNECTOR IS PART MARKED: 3008W8PXX99A50X CONEC ABC

Directive 2002/95/EC RoHS compliant

THIS DRAWING MAY NOT BE COPIED OR REPRODUCED IN ANY WAY, AND MAY NOT BE PASSED ON TO A THIRD PARTY WITHOUT WRITTEN PERMISSION. OWNERSHIP AND COPYRIGHT OF CONEC GmbH  
 DO NOT ALTER CAD DRAWING BY HAND

tolerance		dim. in mm	scale: 2:1 (5:1)	
			material: see notes	
date	name		title:	
drawn 16.11.12	Schmidt		D-SUB COMBINATION MALE	
appd. 16.11.12	Koch		8W8P	
norm			with threaded rear spacer	
d-old			dwg no:	
a Original			13K1A4102	
rev. description	date	name	part no: 3008W8PXX99A50X	



DIN-A3  
sh: 1