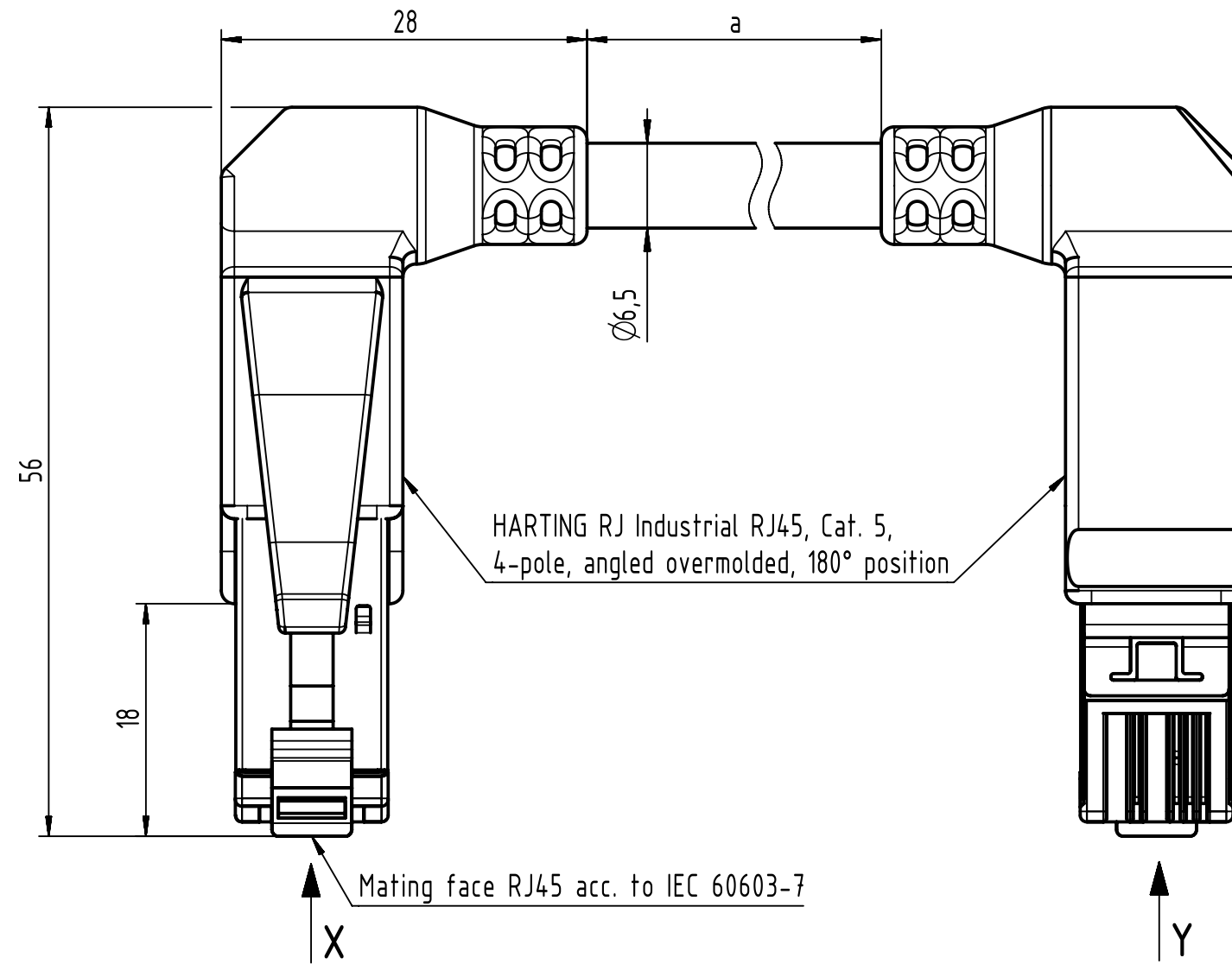


Connector Location A

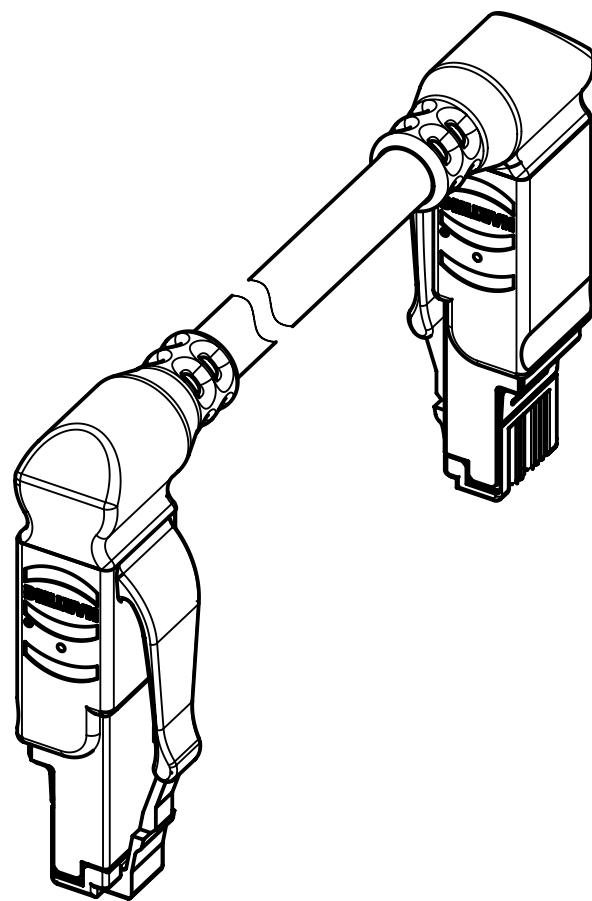
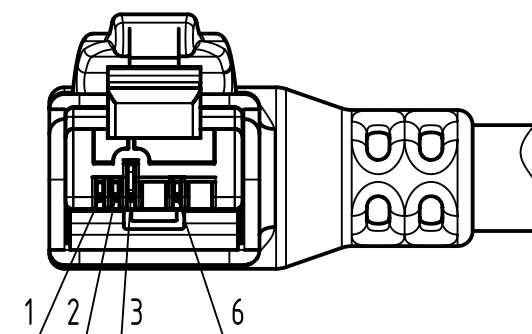
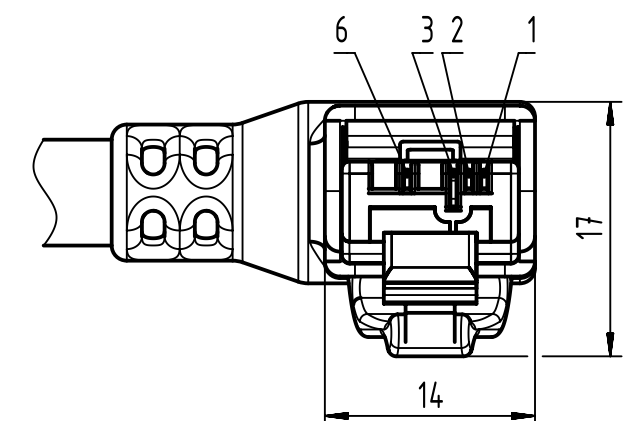
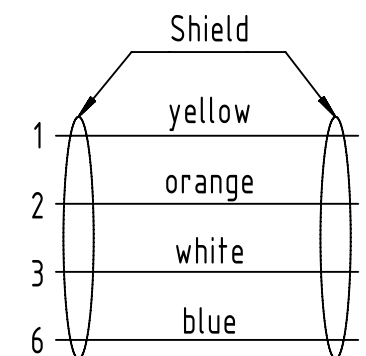
Connector Location B



X  
male

Y  
male

Loading Plan



- Protection level: IP20  
- Temperature range: -40°C ... +70°C

	All rights reserved		Created by BANIUD Banciu		Inspected by COSTEA Costea		Standardisation MUNTEANV Muntean		Date 2019-08-08		State Final Release	
	Department HCS - RO		Title RJ Industrial Cable Assembly		Type TB		Number 094705050XX		Doc-Key / ECM-Nr. 100155464/UGD/004/E 500000156257		Rev. E Page 1/2	
All Dimensions in mm			Tech. Character.			Free size tol.			According to production drawing			
HARTING Customised Solutions D-32339 Espelkamp												

