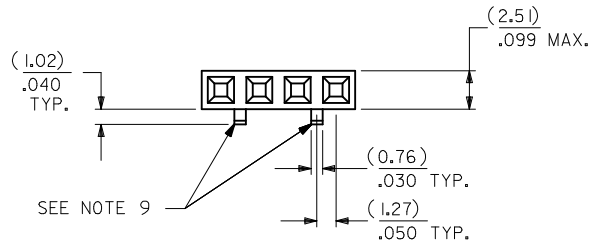
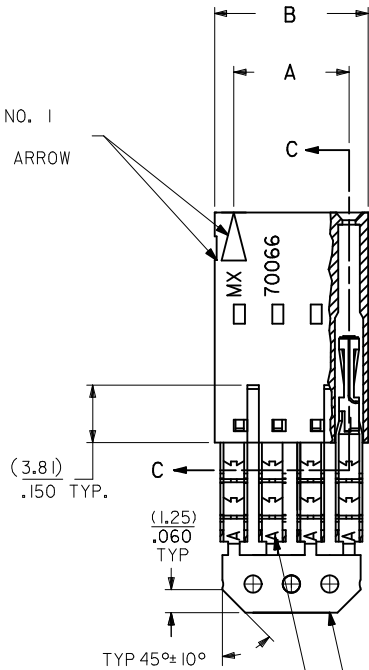


OPTION D

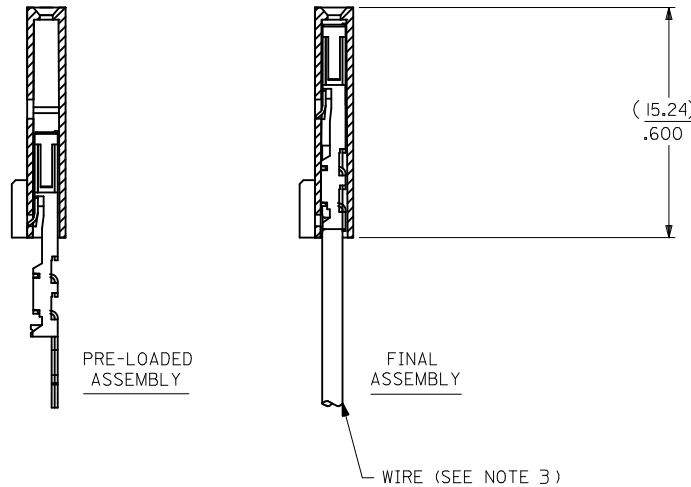
- NOTES:
 1. MATERIAL:
 HOUSING: POLYESTER(PBT), GLASS FILLED, UL94 V-0;
 COLOR: BLACK
 TERMINAL: PHOSPHOR BRONZE
 2. FINISH:
 15 GOLD: 0.38 MICROMETERS/15 MICROINCHES MINIMUM GOLD IN
 191 MICROMETERS/75 MICROINCHES MINIMUM TIN
 OVER NICKEL UNDERPLATE OVERALL
 3. TO BE USED WITH 24 AWG STRANDED WIRE WITH (1.35)/.053
 DIAMETER MAXIMUM INSULATION
 4. SEE TABLE FOR AVAILABLE CIRCUIT SIZES
 5. STANDARD PACKAGING PER PK-70873-0001. OPTIONAL PACKAGING
 MAY BE AVAILABLE, REQUEST DRAWING PK-70400
 6. PARTS STACKABLE END TO END (2.54)/.100 CENTERS
 7. PRODUCT SPECIFICATION: PS-70400
 8. SEE DRAWING SDA-70400-**** (SHEET 3) FOR OPTIONAL
 HOUSING DETAILS
 9. 4 CIRCUIT SHOWN. 3-25 CIRCUITS HAVE 2 RIBS
 10. TO MATE WITH MOLEX PART NUMBERS: 70004-**** & 70013-****
 11. 2 CIRCUIT ASSEMBLIES SUPPLIED AS GROUPED PAIRS



CIRCUIT NO. 1
 SLOT OR ARROW



SECTION C-C



| CKT. SIZE | A | B | EDP. NO. |
|-----------|--------------------|--------------------|------------|
| 2 | (2.54) .100 | (5.05) .199 | 14-56-3024 |
| 3 | (5.08) .200 | (7.59) .299 | 14-56-3034 |
| 4 | (7.62) .300 | (10.13) .399 | 14-56-3044 |
| 5 | (10.16) .400 | (12.67) .499 | 14-56-3054 |
| 6 | (12.70) .500 | (15.21) .599 | 14-56-3064 |
| 7 | (15.24) .600 | (17.75) .699 | 14-56-3074 |
| 8 | (17.78) .700 | (20.29) .799 | 14-56-3084 |
| 9 | (20.32) .800 | (22.83) .899 | 14-56-3094 |
| 10 | (22.86) .900 | (25.37) .999 | 14-56-3104 |
| 11 | (25.4) 1.000 | (27.91) 1.099 | 14-56-3114 |
| 12 | (27.94) 1.100 | (30.45) 1.199 | 14-56-3124 |
| 13 | (30.48) 1.200 | (32.99) 1.299 | 14-56-3134 |
| 14 | (33.02) 1.300 | (35.53) 1.399 | 14-56-3144 |
| 15 | (35.56) 1.400 | (38.07) 1.499 | 14-56-3154 |
| 16 | (38.1) 1.500 | (40.61) 1.599 | 14-56-3164 |
| 17 | (40.64) 1.600 | (43.15) 1.699 | 14-56-3174 |
| 18 | (43.18) 1.700 | (45.69) 1.799 | 14-56-3184 |
| 19 | (45.72) 1.800 | (48.23) 1.899 | 14-56-3194 |
| 20 | (48.26) 1.900 | (50.77) 1.999 | 14-56-3204 |
| 21 | (50.8) 2.000 | (53.31) 2.099 | 14-56-3214 |
| 22 | (53.34) 2.100 | (55.85) 2.199 | 14-56-3224 |
| 23 | (55.88) 2.200 | (58.39) 2.299 | 14-56-3234 |
| 24 | (58.42) 2.300 | (60.93) 2.399 | 14-56-3244 |
| 25 | (60.96) 2.400 | (63.47) 2.499 | 14-56-3254 |

| I.D. SLOT CODE TO WIRE GAUGE CHART | |
|------------------------------------|------------|
| I.D. SLOT CODE | WIRE GAUGE |
| A | 24 AWG. |

| PLATING CODE (STRIPE ON CARRIER STRIP) | |
|--|--------|
| PLATING | COLOR |
| 15 GOLD | YELLOW |

| | | | | | |
|--|--------------------------------------|--|---|--|---|
| REMOVE ENG NO. EC NO: UCP2011-110 DRWINMSI BARRA 2010/10/19 CHKD:JORGAN 2010/10/19 APPR:SMILLER 2010/11/24 | QUALITY SYMBOLS ∇=0 ∇=0 ∇=0 | GENERAL TOLERANCES (UNLESS SPECIFIED) mm INCH 4 PLACES ± --- ± --- 3 PLACES ± --- ± .010 2 PLACES ± 0.25 ± .014 1 PLACE ± 0.35 ± --- ANGULAR ±1/2° | DIMENSION STYLE MM/IN DRAWN BY DATE MSIBARRA 2010/10/19 CHECKED BY DATE WAZ 1984/10/09 APPROVED BY DATE SMILLER 2010/11/24 | SCALE DESIGN UNITS INCH THIRD ANGLE PROJECTION | TITLE ASSEMBLY, SL CONNECTOR SINGLE ROW 2.54/.100 GRID |
| | | DRAFT WHERE APPLICABLE MUST REMAIN WITHIN DIMENSIONS | MATERIAL NO. SEE TABLE | DOCUMENT NO. SDA-70400-0596-0619 | SHEET NO. 1 OF 1 |