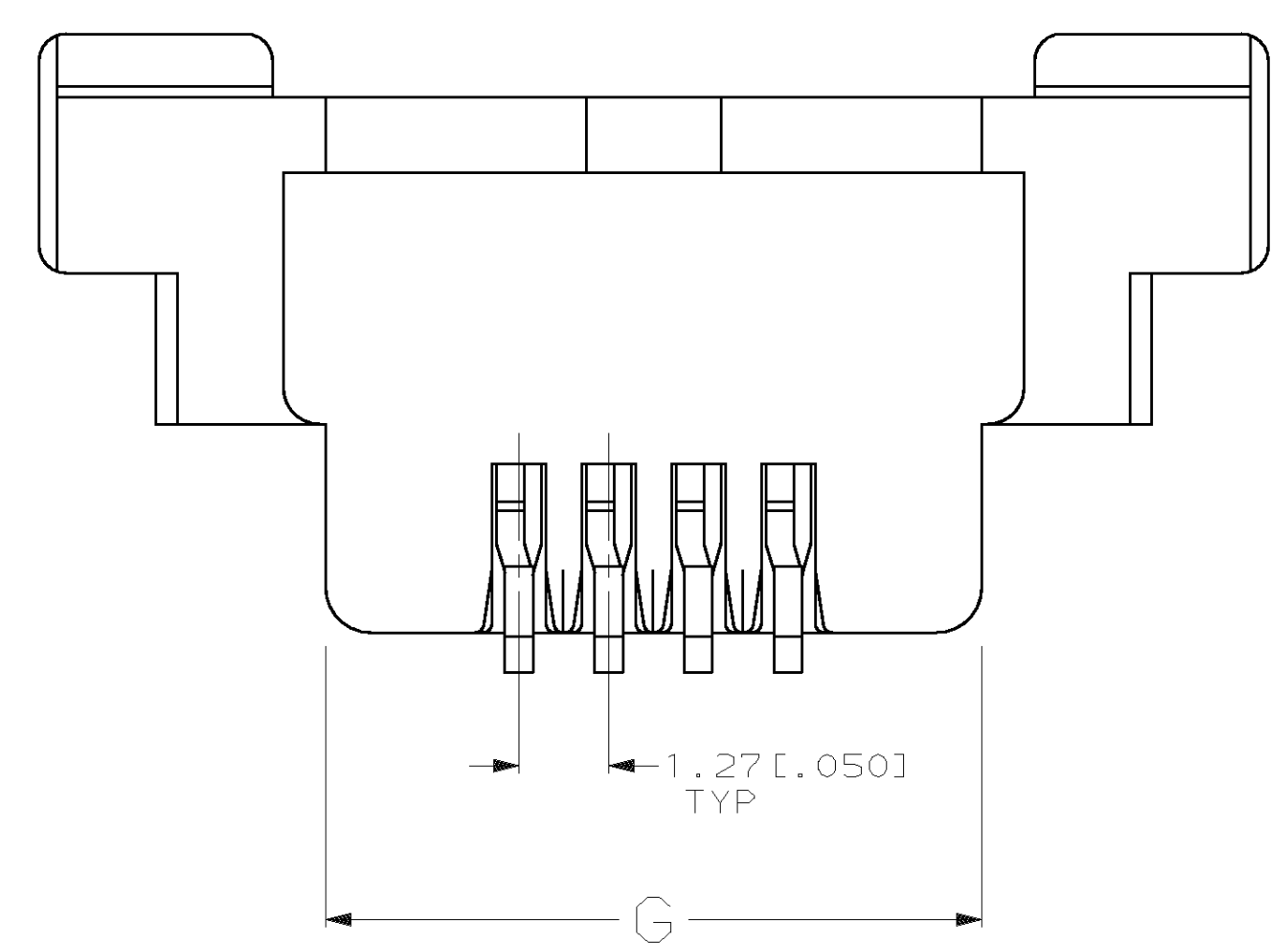
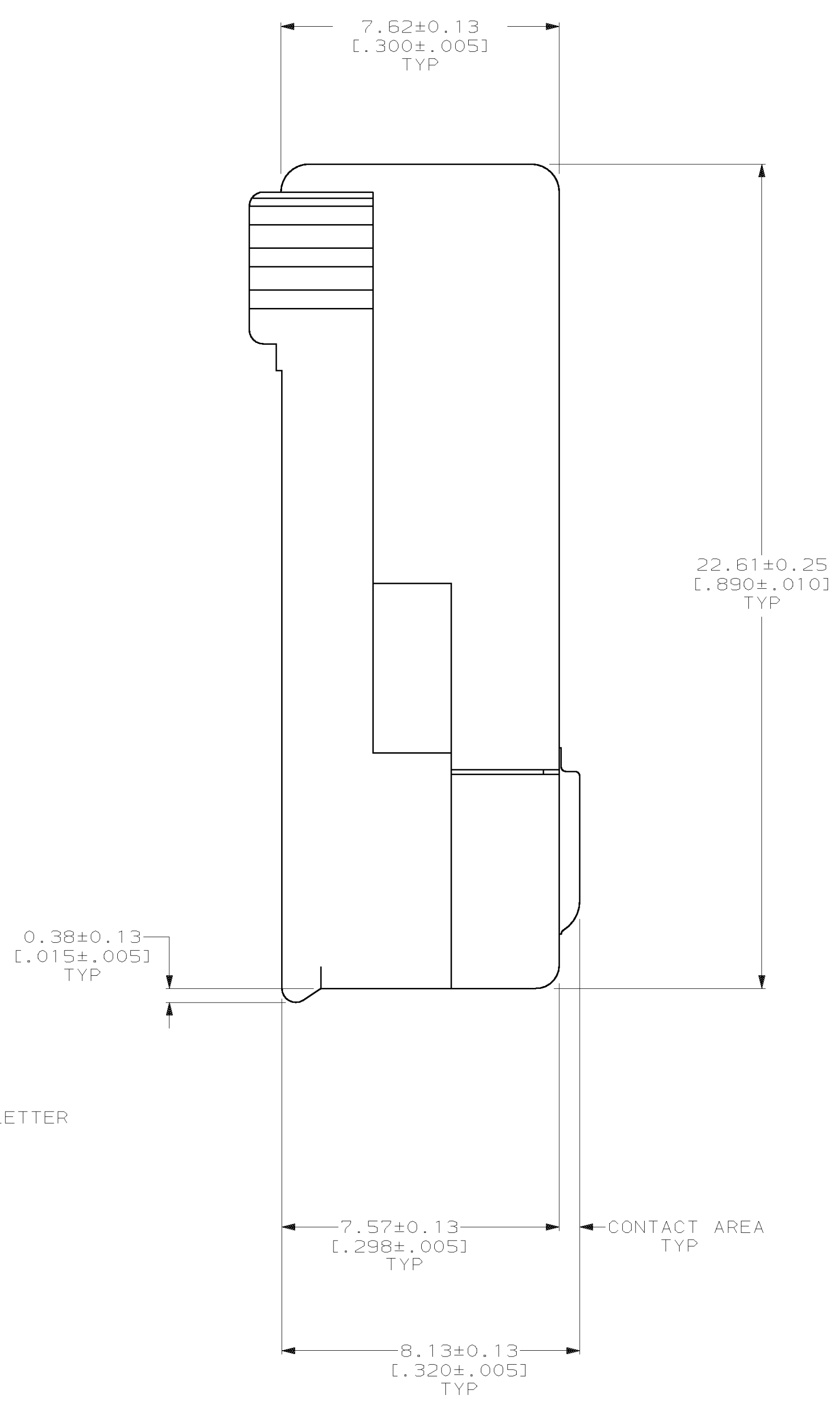
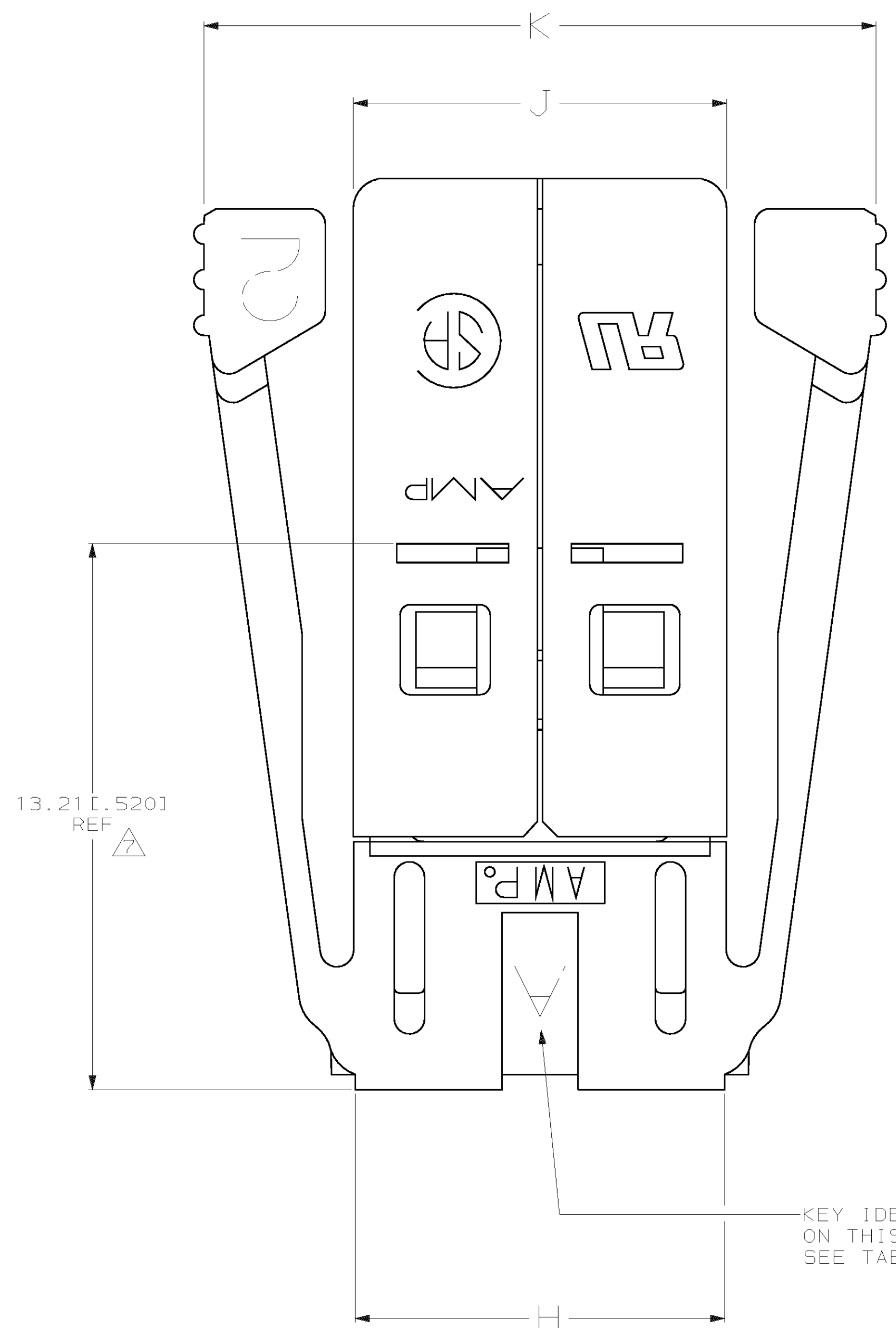


LOC	DIST	P	F	ZONE	LTR	DESCRIPTION	DATE	APPD
BD	26							
					M	REDRAWN PER EC 0020-488-94	07/11/94	SM
					N	OBSOLETE -26, -43 PER EC 0020-475-95	24 OCT 95	RB
					P	OBS -13, -16, -21, -23, -31, -33, -41, -46 PER EC 0020-1120-95	29 AUG 96	JGH
					R	REACTIVATED -13, -31 & -41 PER EC 0410-63-98	27 MAR 98	JS
					S	REV PER EC 0640-248-99	12 MAY 99	DM



KEY IDENTIFICATION LETTER  
ON THIS SURFACE  
SEE TABLE

- PREFIX AND SUFFIX NUMBERS MUST MATCH THOSE ON RECEPTACLE FOR PARTS TO MATE.
- MATERIAL:  
HOUSING - POLYCARBONATE  
CONTACT - COPPER ALLOY  
SHIELD - BRASS
- FINISH:  
HOUSING - BROWN  
CONTACT - 2.03µm [0.00080] MIN COPPER OVER ENTIRE PART,  
2.54µm [0.00100] MIN NICKEL OVER ENTIRE PART,  
0.02µm [0.000001] MIN GOLD OVER ENTIRE PART,  
2.54µm [0.00100] GOLD OVER CONTACT AREA.  
SHIELD - BRIGHT TIN/LEAD 0.76µm [0.00030] MIN  
OVER 1.27µm [0.00050] MIN NICKEL.
- CABLES MUST MEET AMP DRAWING SPECIFICATION 520471.
- CABLES MUST MEET AMP DRAWING SPECIFICATION 520475.
- CABLES MUST MEET AMP DRAWING SPECIFICATION 520477.
- INSERTION DEPTH INTO RECEPTACLE.
- BULK CABLE IS NOT AVAILABLE FROM AMP INC.

	32.11 [1.264]	24.76 [0.975]	25.70 [1.012]	24.59 [0.968]	16	E	△6	5-520809-6
	21.95 [0.864]	14.60 [0.575]	15.54 [0.612]	14.43 [0.568]	8	E	△5	5-520809-3
	16.87 [0.664]	9.52 [0.375]	10.46 [0.412]	9.35 [0.368]	4	E	△4	5-520809-1
OBSOLETE	32.11 [1.264]	24.76 [0.975]	25.70 [1.012]	24.59 [0.968]	16	D	△6	4-520809-6
OBSOLETE	21.95 [0.864]	14.60 [0.575]	15.54 [0.612]	14.43 [0.568]	8	D	△5	4-520809-3
	16.87 [0.664]	9.52 [0.375]	10.46 [0.412]	9.35 [0.368]	4	D	△4	4-520809-1
OBSOLETE	21.95 [0.864]	14.60 [0.575]	15.54 [0.612]	14.43 [0.568]	8	C	△5	3-520809-3
	16.87 [0.664]	9.52 [0.375]	10.46 [0.412]	9.35 [0.368]	4	C	△4	3-520809-1
OBSOLETE	32.11 [1.264]	24.76 [0.975]	25.70 [1.012]	24.59 [0.968]	16	B	△6	2-520809-6
OBSOLETE	21.95 [0.864]	14.60 [0.575]	15.54 [0.612]	14.43 [0.568]	8	B	△5	2-520809-3
OBSOLETE	16.87 [0.664]	9.52 [0.375]	10.46 [0.412]	9.35 [0.368]	4	B	△4	2-520809-1
OBSOLETE	32.11 [1.264]	24.76 [0.975]	25.70 [1.012]	24.59 [0.968]	16	A	△6	1-520809-6
	21.95 [0.864]	14.60 [0.575]	15.54 [0.612]	14.43 [0.568]	8	A	△5	1-520809-3
	16.87 [0.664]	9.52 [0.375]	10.46 [0.412]	9.35 [0.368]	4	A	△4	1-520809-1
	K	J	H	G	NO OF POSN	KEY I.D. LETTER		PART NO

DO NOT SCALE PRINT.  
UNLESS SPECIFIED  
DIMENSIONS IN mm [INCHES]  
TOLERANCES ON:  
2 PLC DEC ±0.38 [0.015]  
3 PLC DEC ± -  
ANGLES ± -

DR 07-11-94  
D.HARDY  
CHK 07-14-94  
R.STONE  
APPD 07-14-94  
S.MORIN  
APPD 07-14-94  
S.MORIN  
PRODUCT SPEC  
108-2047 & 108-2051  
APPLICATION SPEC  
114-2086

**AMP** AMP Incorporated  
Harrisburg, PA 17105-3508  
NAME  
PLUG ASSEMBLY, SPECIAL,  
50 SERIES, FLAT CABLE, SDL  
SIZE D  
CAGE CODE 00779  
DRAWING NO C-520809  
SCALE 10:1  
SHEET 1 OF 1

THIS DRAWING IS A CONTROLLED DOCUMENT FOR AMP INCORPORATED. IT IS SUBJECT TO CHANGE AND THE CONTROLLING ENGINEERING ORGANIZATION SHOULD BE CONTACTED FOR THE LATEST REVISION.