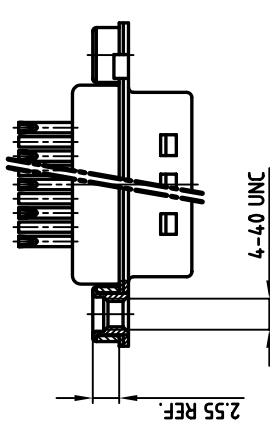
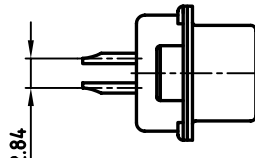
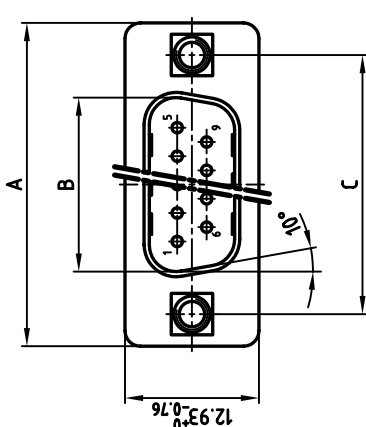
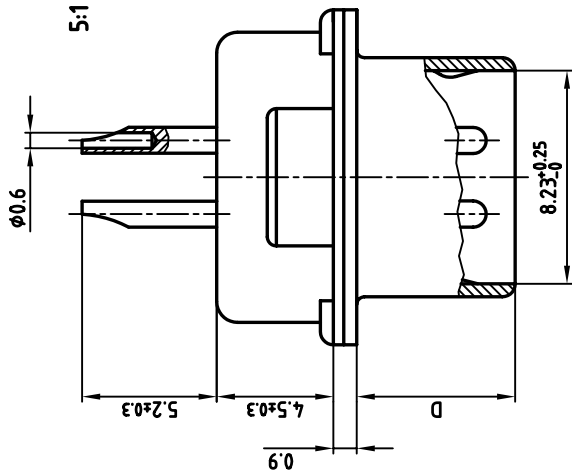


used for: D-SUB FILTER



- NOTES:**
1. METALSHELLS: STEEL; min. 320µ" TIN
 2. INSULATORS: PBT GF UL 94 V-0, BLACK
 3. CONTACTS: COPPER ALLOY
 4. PLATING: min. 8µ" HARD GOLD OVER min. 50µ" NICKEL
 5. THREADED INSERT: COPPER ALLOY; min. 200µ" TIN over 80µ" NICKEL
 6. SOLDER CUP: AWG 26
 7. CAPACITANCE: 370pF ±20%
 8. DIELECTRIC WITHSTANDING VOLTAGE: 424 VDC
 9. MAXIMUM TORQUE VALUE FOR THREAD: 6" LBS



tolerance		scale: 2:1 (5:1)	
material:		SEE NOTES	
2001	date	name	title:
drawn	02.01.	Parrel	D-FILTER MALE
appd.	02.01.	E. Mickenbecker	9-37pos. SOLDER CUP with threaded insert
norm	DIN 41652		AutoCAD 2000
d-old			DIN-A
		dwg no: 24K1A084A	
		part no: SEE TABLE	
		sh: 1/1	

THIS DRAWING MAY NOT BE COPIED OR REPRODUCED IN ANY WAY, AND MAY NOT BE PASSED ON TO A THIRD PARTY WITHOUT WRITTEN PERMISSION.

OWNERSHIP AND COPYRIGHT OF CONEC GMBH DO NOT ALTER CAD DRAWING BY HAND

POS.	A	B	C	D	PART-NO.
9	31.19	16.79	25.00 ^{+0.12} _{-0.13}	6.12	24-1A11720X
15	39.52	25.12	33.30 ^{+0.15} _{-0.1}	6.12	24-1A11730X
25	53.42	38.84	47.04 ^{+0.13}	5.99	24-1A11740X
37	69.70	55.30	63.50 ^{+0.13}	5.99	24-1A11750X

