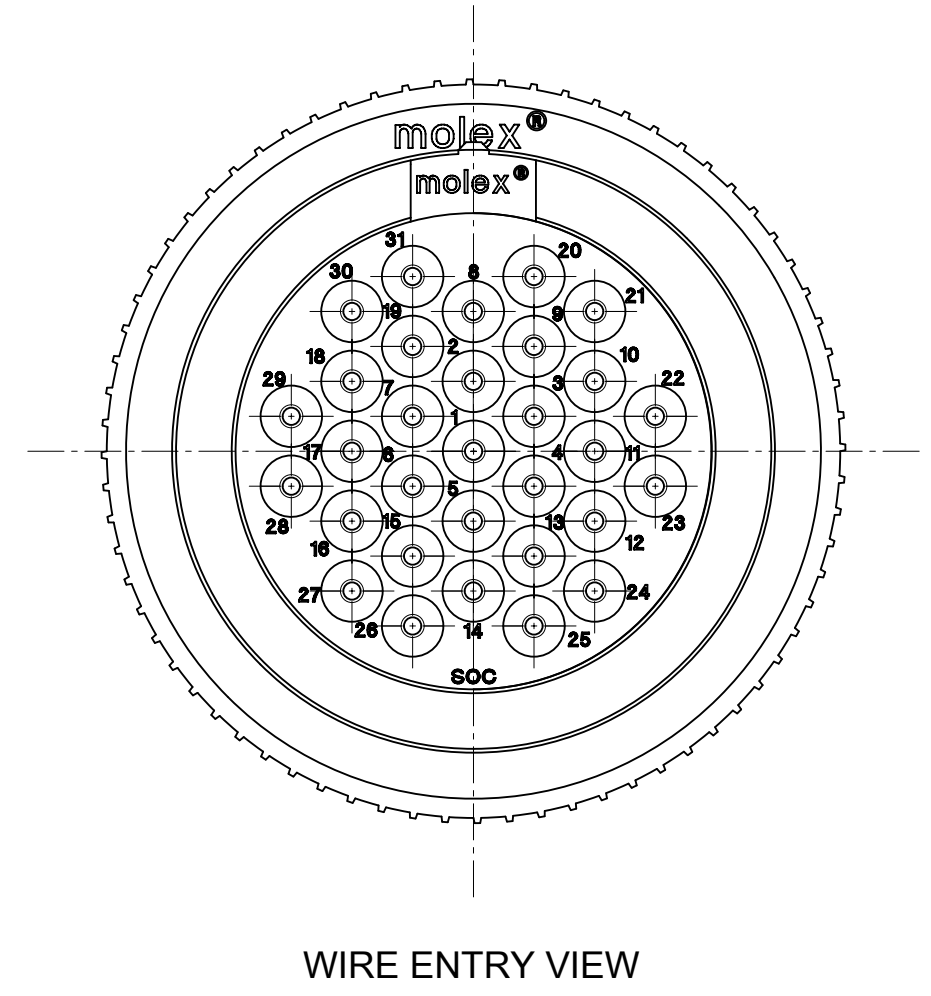
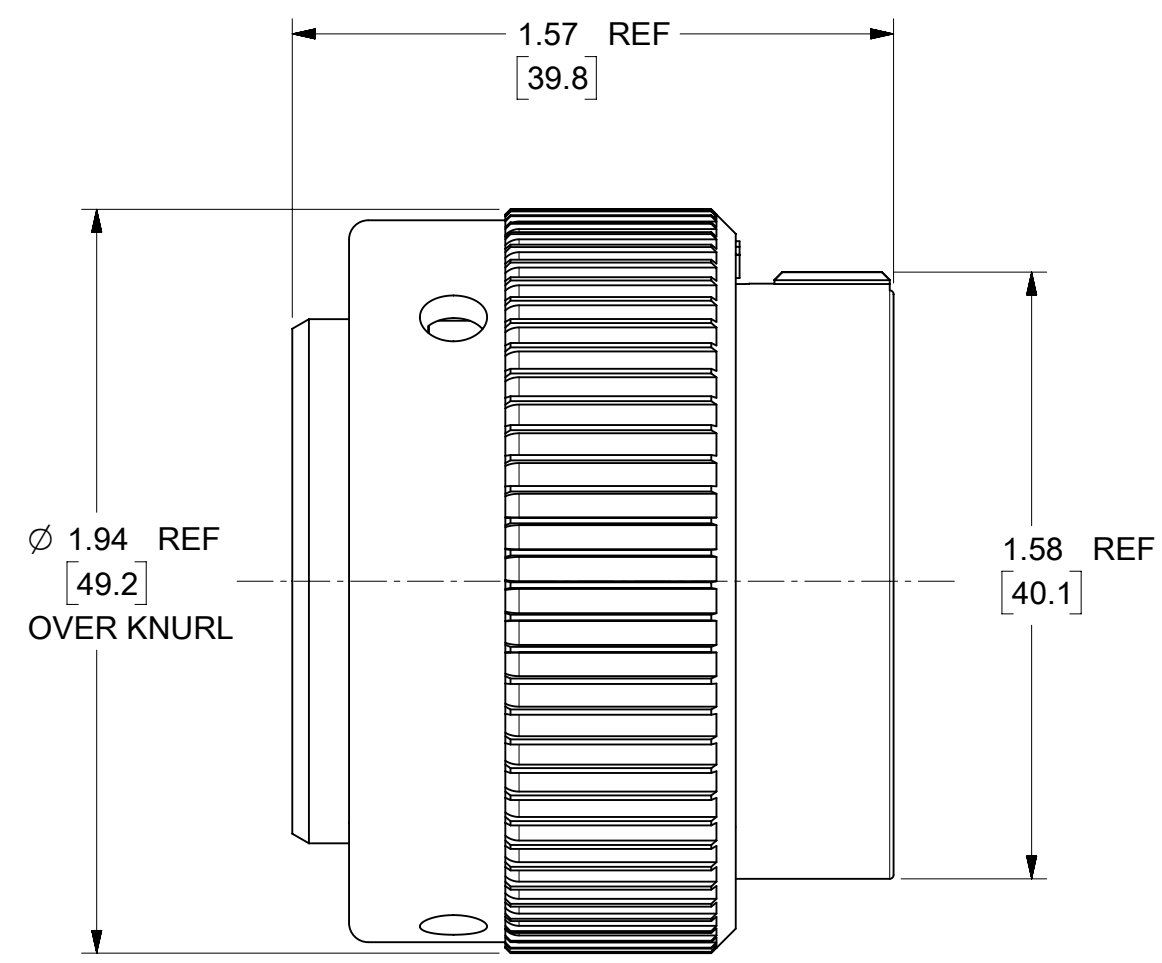
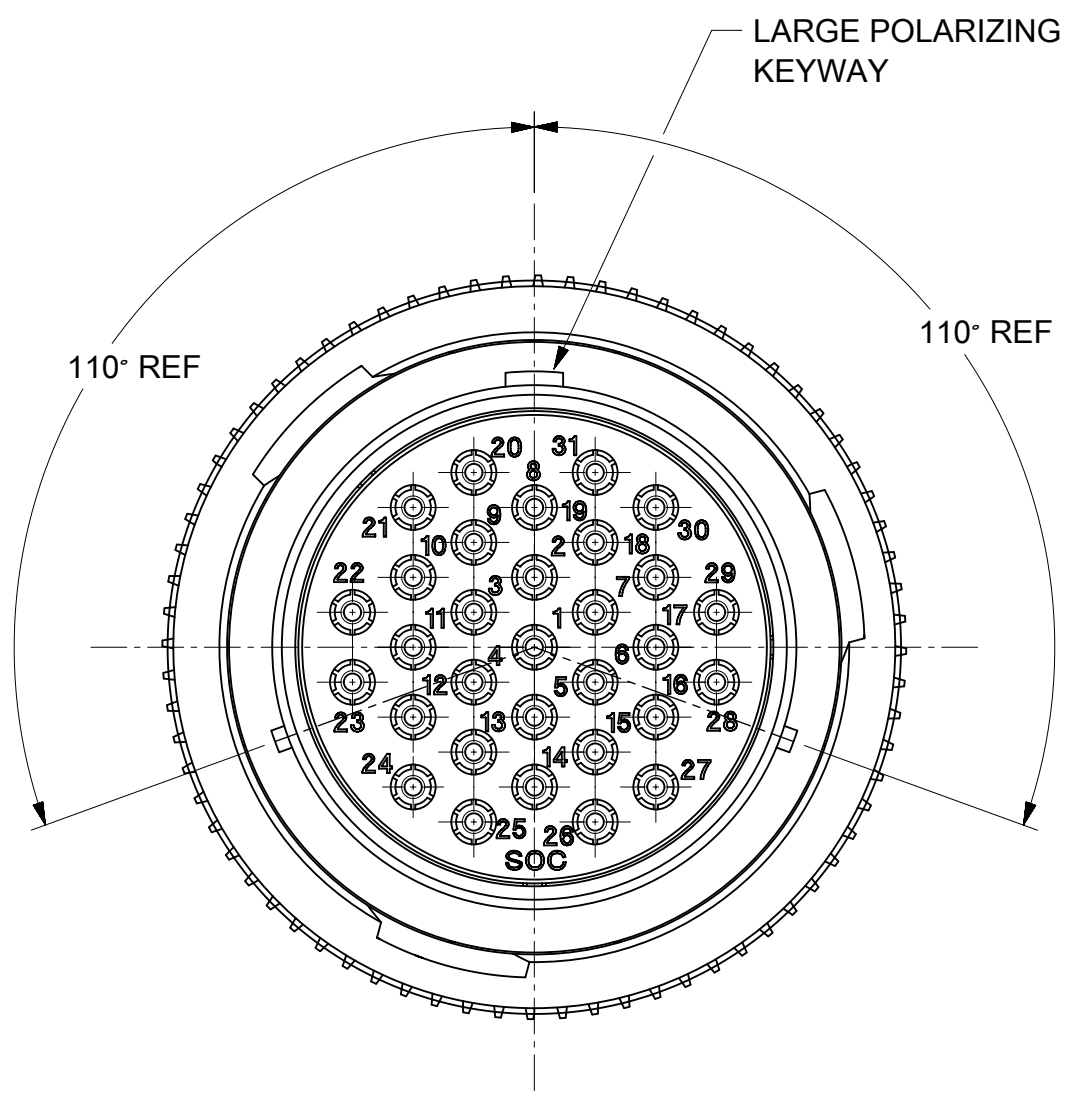
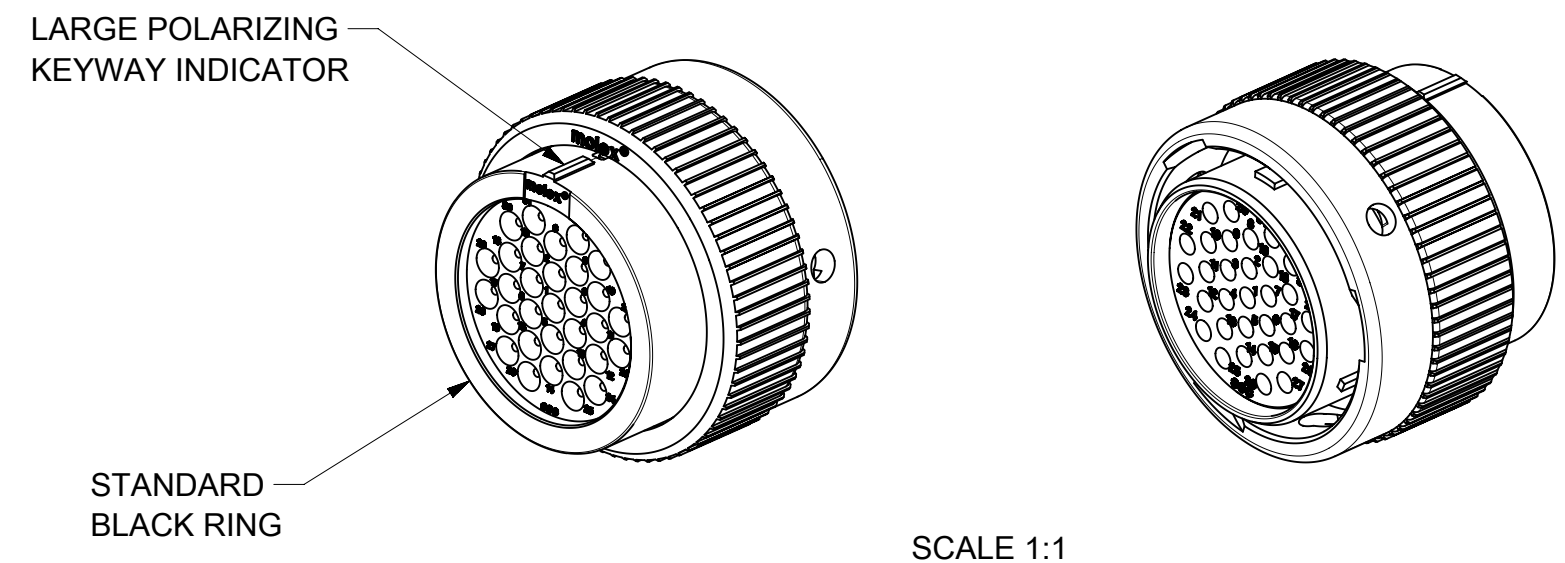


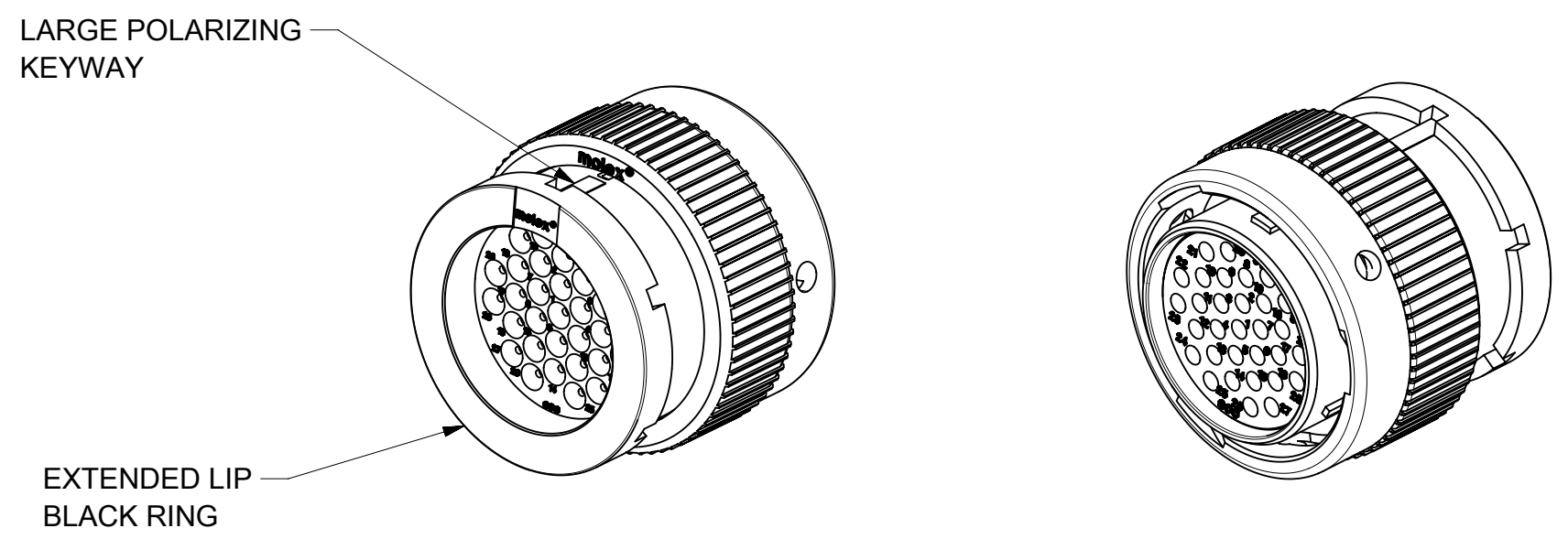
MATERIAL NUMBER	WIRE AWG	INSULATION DIA O.D.	RING
845100004	18 - 14	.053 - .134 [1.35 - 3.40]	STANDARD BLACK



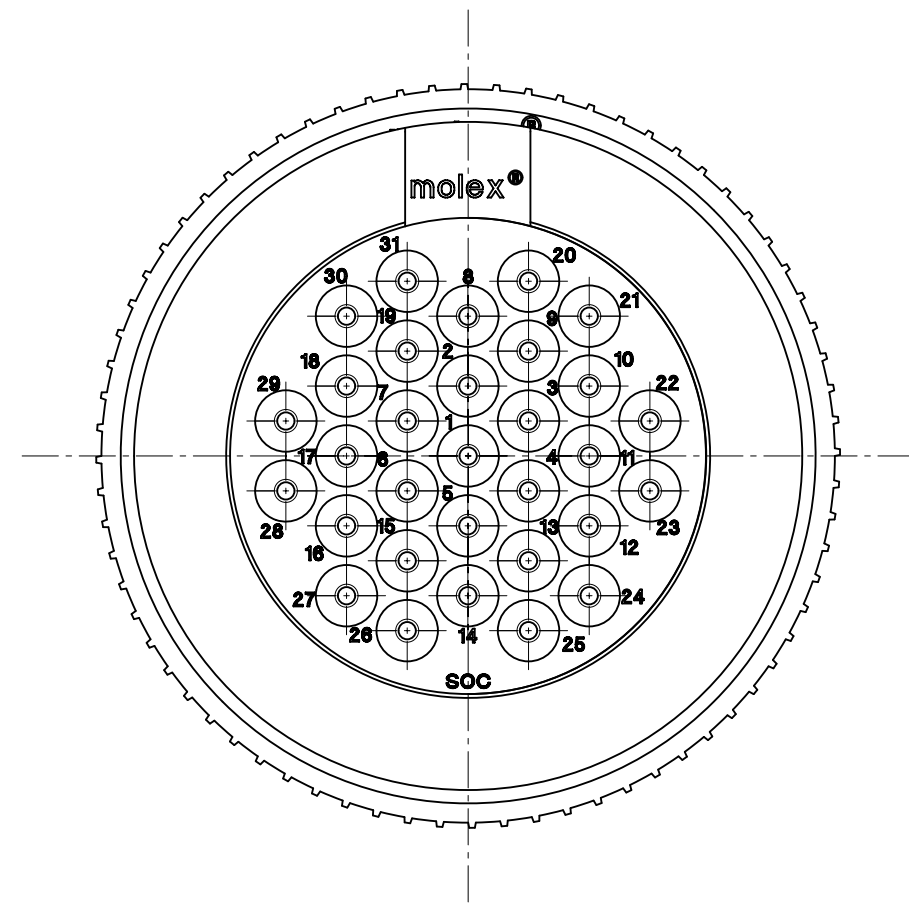
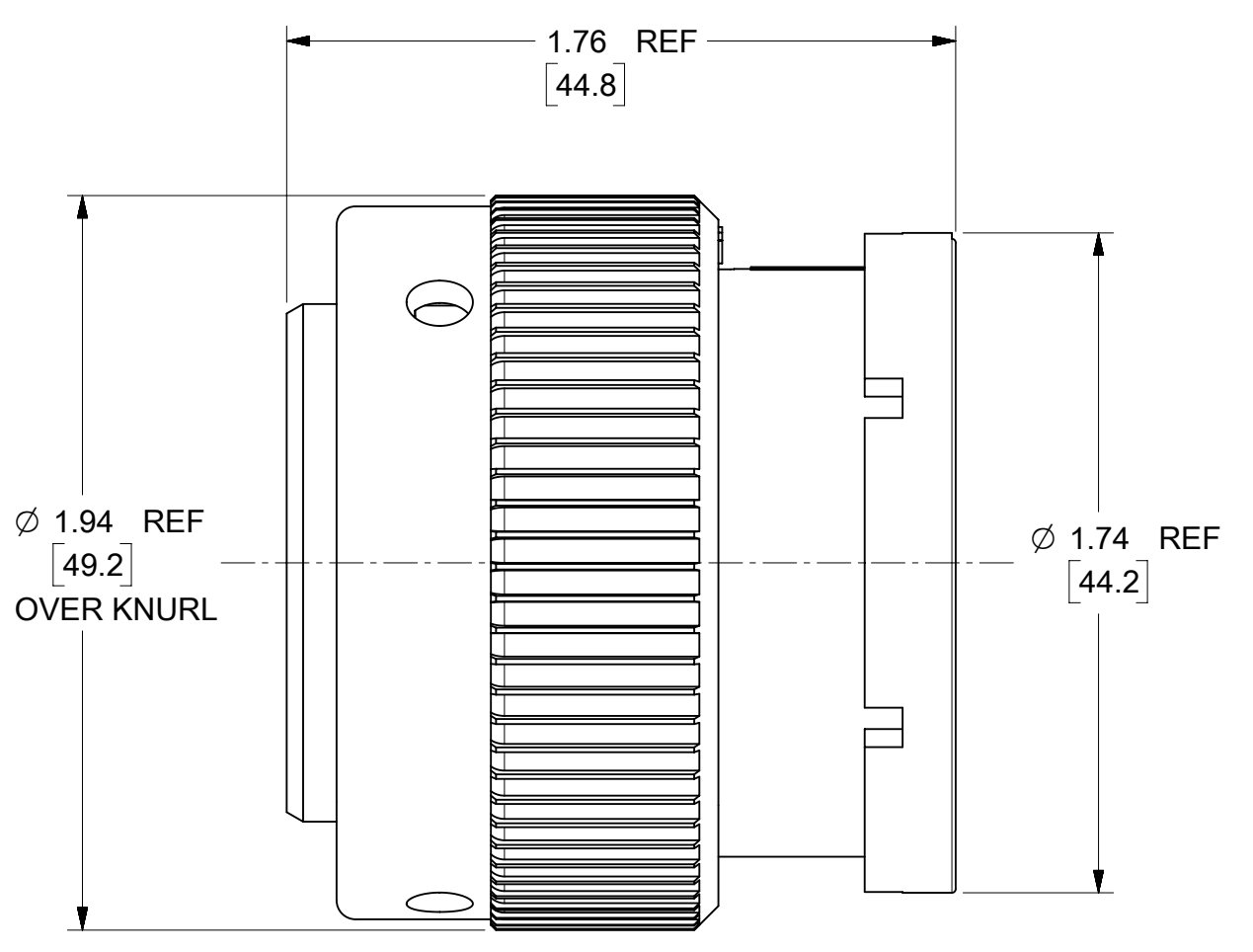
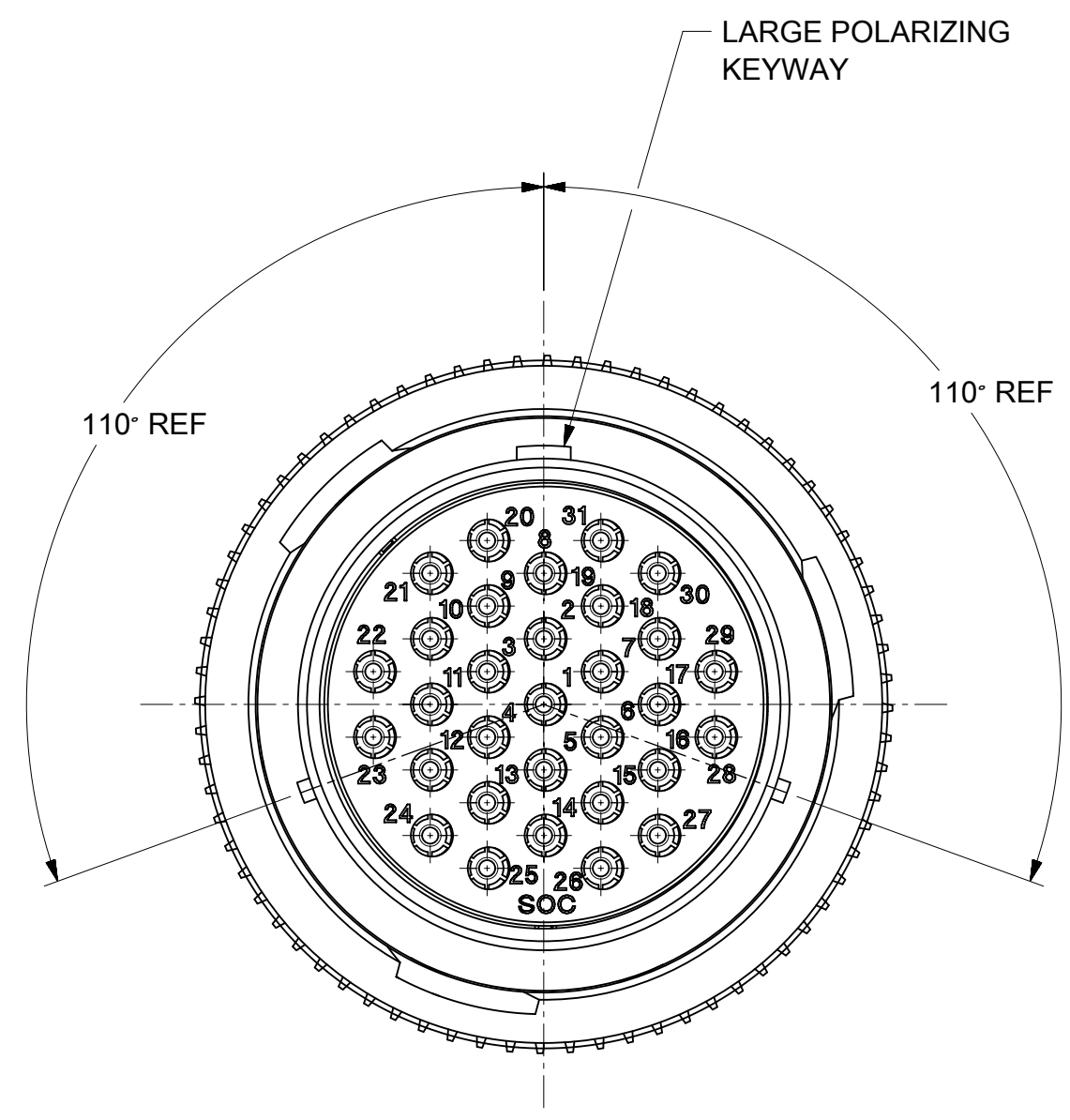
- NOTES:
1. USE CONNECTOR WITH FEMALE CRIMP TERMINAL SERIES 84525.
 2. MATES WITH RECEPTACLE CONNECTOR SERIES 84511.
 3. ASSEMBLY IS ROHS COMPLIANT.
 4. PACKAGED PER PK-84501-001.

QUALITY SYMBOLS 	THIS DRAWING CONTAINS INFORMATION THAT IS PROPRIETARY TO MOLEX ELECTRONIC TECHNOLOGIES, LLC AND SHOULD NOT BE USED WITHOUT WRITTEN PERMISSION										
	CAD MIGRATION EC NO: 122085 DRWN: CRAODOREMS CHKD: SMCGREEVY REV / APPR: JDWALLACE	2017/09/01		2017/10/03		2017/10/03		GENERAL TOLERANCES (UNLESS SPECIFIED) IN[MM] 2:1 DRWN BY DATE BRUPERT 2006/2/8		 PLUG CONNECTOR ASSEMBLY, 24-31 POS SOCKET TERMINALS	
		4 PLACES ±		±		CHK'D BY DATE JPAWLICKI 2006/6/6					
		3 PLACES ±		±		APPR BY DATE RDEROSS 2006/6/7					
		2 PLACES ±		± 0.015		DRAWING SIZE THIRD ANGLE PROJECTION C					
		1 PLACES ±		± 0.38							
	0 PLACES ±		±				PRODUCT CUSTOMER DRAWING SERIES MATERIAL NUMBER CUSTOMER 84510 845100004 GENERAL MARKET				
			ANGULAR TOL = 2.0				DOCUMENT NUMBER DOC TYPE DOC PART SHEET NUMBER SD-84510-002 PSD 001 1 OF 2				
			DRAFT WHERE APPLICABLE MUST REMAIN WITHIN DIMENSIONS								
	C1		REV		APPR						

MATERIAL NUMBER	WIRE AWG	INSULATION DIA O.D.	RING
845100005	18 - 14	.053 - .134 [1.35 - 3.40]	EXTENDED LIP, BLACK



SCALE 1:1



WIRE ENTRY VIEW

- NOTES:
1. USE CONNECTOR WITH MALE CRIMP TERMINAL SERIES 84525.
 2. MATES WITH RECEPTACLE CONNECTOR SERIES 84506.
 3. USE CONNECTOR WITH STRAIN RELIEF BACKSHELL, MOLEX MATERIAL NO. 84537-0003.
 4. ASSEMBLY IS ROHS COMPLIANT.
 5. PACKAGED PER PK-84501-001.

QUALITY SYMBOLS ▽ = 0 ▽ = 0 ▽ = 0 ▽ = 0 ▽ = 0 ▽ = 0 ▽ = 0 ▽ = 0 ▽ = 0 ▽ = 0 ▽ = 0 ▽ = 0	THIS DRAWING CONTAINS INFORMATION THAT IS PROPRIETARY TO MOLEX ELECTRONIC TECHNOLOGIES, LLC AND SHOULD NOT BE USED WITHOUT WRITTEN PERMISSION				DIMENSION UNITS		SCALE						
	GENERAL TOLERANCES (UNLESS SPECIFIED)				IN[MM]		2:1					PLUG CONNECTOR ASSEMBLY, 24-31 POS SOCKET TERMINALS	
	CAD MIGRATION				MM		INCH		PRODUCT CUSTOMER DRAWING				
	EC NO: 122085				4 PLACES ±		BRUPERT					2006/2/8	
	DRWN: CRAODOREMS				3 PLACES ±		CHK'D BY		DATE		DOCUMENT NUMBER: SD-84510-002 DOC TYPE: PSD DOC PART: 001 SHEET NUMBER: 2 OF 2		
	CHKD: SMCGRVEY				2 PLACES ± ± 0.015		JPAWLICKI		2006/6/6				
	REV / APPR: JDWALLACE				1 PLACES ± 0.38 ±		RDEROSS		2006/6/7		12 11 10 9 8 7 6 5 4 3 2 1		
	C1				0 PLACES ±		DRAWING SIZE		THIRD ANGLE PROJECTION				
					ANGULAR TOL = 2.0		C						
					DRAFT WHERE APPLICABLE MUST REMAIN WITHIN DIMENSIONS								