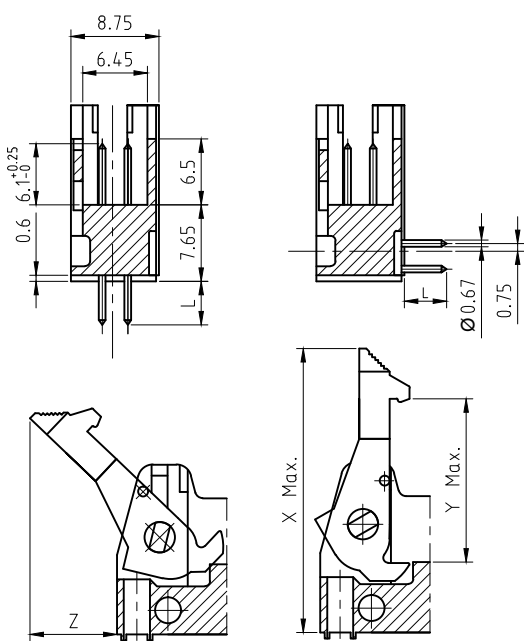


DETAIL A



TECHNICAL SPECIFICATION

HOUSING MATERIAL : THERMOPLASTIC POLYESTER UL94V0; GREY / BLACK ON REQUEST

HOUSING CAN WITHSTAND EXPOSURE TO LEAD FREE WAVE SOLDERING TEMPERATURE OF 260-265°C FOR STRAIGHT CONNECTORS AS IT IS USED IN CLASSICAL LEAD WAVE SOLDERING AT 235-250°C FOR ANGLE CONNECTORS, PROTECTIVE ADHESIVE OR PROTECTIVE METALLIC DEVICE IS TO BE USED AS IN CLASSICAL LEAD WAVE SOLDERING AT 235-250°C

CONTACT MATERIAL : COPPER ALLOY

CONTACT PLATING

ACTIVE ZONE : Au OR EQUIVALENT (Au OVER PALLADIUM NICKEL) OVER Ni.

TERMINATION ZONE : Sn (PURE MATTE) OVER Ni

CURRENT RATING : 1.5A AT 20°C

INSULATION RESISTANCE : 5000MΩ AT 100V

CONTACT RESISTANCE : 20mΩ

DIELECTRIC WITHSTANDING VOLTAGE : 1000Vrms

WORKING VOLTAGE : 250Vrms

OPERATING TEMPERATURE : -55°C TO +125°C

REFERENCE SPECIFICATION : IEC 603-13 / DIN 41651

NOTES

- LEFT POLARISATION IS NOT PROVIDED FOR 10 & 14 POSITIONS.
- RIGHT POLARISATION IS NOT PROVIDED FOR 10 POSITION, INSTEAD PROJECTION AS SHOWN IN DETAIL-A WILL BE PROVIDED.
- INTERMEDIATE LEGS ARE PROVIDED ONLY ABOVE 20 POSITION.
- THE "LF" PRODUCTS MEET EUROPEAN UNION DIRECTIVES AND OTHER COUNTRY REGULATIONS AS DESCRIBED IN GS-22-008.
- THE HOUSING WILL WITHSTAND EXPOSURE TO 260°C PEAK TEMPERATURE FOR 3.5 SECONDS IN A WAVE SOLDER APPLICATION WITH A 1.6 MM MINIMUM THICK CIRCUIT BOARD.
- LEAD FREE OR RoHS DIRECTIVE LABELING TO BE PROVIDED AS PER GS-14-920

DIMENSION	LOCKING LEVER	
	SHORT	LONG
X Max.	25.30	28.0
Y Max.	11.30	15.0
Z	9.0	10.5

POS.	DIMENSION				
	A ^{+0.25} _{-0.16}	B ^{+0.10} _{-0.18}	C±0.1	D ^{+0.13} ₋₀	E ^{+0.05} _{-0.27}
10	32.00	27.94	21.84	17.91	10.16
14	37.08	33.02	26.92	22.99	15.24
16	39.62	35.56	29.46	25.53	17.78
20	44.70	40.64	34.54	30.61	22.86
24	49.78	45.72	39.62	35.69	27.94
26	52.32	48.26	42.16	38.23	30.48
30	57.40	53.34	47.24	43.31	35.56
34	62.48	58.42	52.32	48.39	40.64
40	70.10	66.04	59.94	56.01	48.26
50	82.80	78.74	72.64	68.71	60.96
60	95.50	91.44	85.34	81.41	73.66
64	100.58	96.52	90.42	86.49	78.74

SERIES 8613 010 2 1 14 3 4 5 E1LF

No. OF CONTACTS
010,014,016,020,024,026,030,034,040,050,060,064

TYPE OF INSULATOR
HEADER WITH CENTRAL POLARISATION FOR ALL POSITIONS ----- 2
HEADER 10 POSITION WITH CENTRAL POLARISATION & INSIDE PROJECTION ----- 8

METHOD OF MOUNTING
WITHOUT LEVERS ----- 0
WITH LONG BLACK LEVERS ----- 1
WITH SHORT BLACK LEVERS ----- 2
WITH LONG GREY LEVERS ----- 3
WITH SHORT GREY LEVERS ----- 4

TERMINATION STYLE
STRAIGHT SPILL LONG (L = 4.35±0.35mm) ----- 14
STRAIGHT SPILL SHORT (L = 2.9±0.2mm) ----- 24
ANGLED SPILL LONG (L = 4.2±0.35mm) ----- 13
ANGLED SPILL SHORT (L = 2.8±0.2mm) ----- 23

HOUSING MATERIAL
PBT GREY ----- 3
PBT BLACK ----- 2

PERFORMANCE CLASS
DIN 41651 CLASS 3 ----- 4
DIN 41651 CLASS 2 ----- 5
DIN 41651 CLASS 1 ----- 6
AS PER JSS 50810 ----- 8

LONGITUDINAL PITCH
2.54 mm ----- 5
5.08 mm ----- 8

SPECIAL CODE
LEAD FREE VERSION ----- E1LF

mat'l. code SEE TECH. SPEC.		surface ISO 1302 ✓		tolerance ISO 406 ISO 1101		projection mm		product family 8613	
ltr ecn no dr date		tolerances unless otherwise specified		.0±.1		mm		title HEADERS STRAIGHT & ANGLED SPILL, TMT VERSION	
B	106-0066	MINI	2006-06-01	angles linear		scale 3:2		dwg no C-8613-0041	
C	107-0132	KR	2007-10-05	0°±1°		FCJ		sheet 1 of 1 size A3	
D	108-0094	KR	2008-7-28	2001-12-18				type Product Customer Drawing	
E	108-0145	JS	2008-10-18	dr MINI K V					
F	111-0193	GT	2011-12-20	enrg RAKHEE GEORGE					
G	BLX-14380	MJM	2013-03-08	chr GREGAR MATHEW					
H	BLX-123881	GM	2016-03-31	appd BIJU K PAUL					
sheet index	revision sheet	G1.1	1						

FCI
FCconnect.com
Copyright FCI