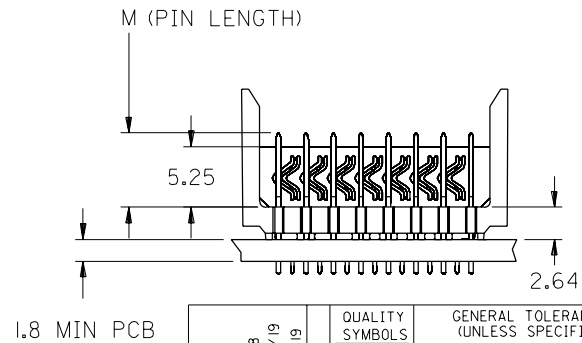
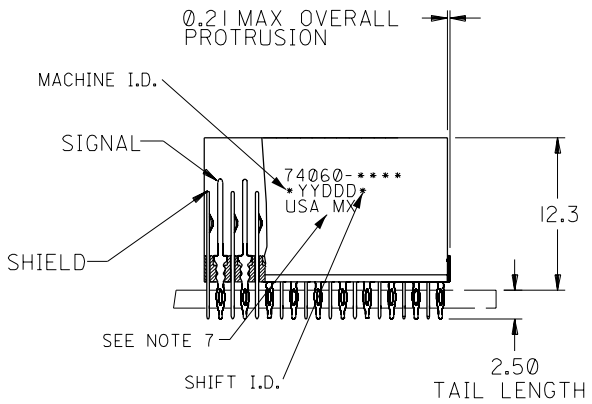


BACKPLANE HOLE PATTERN
RECOMMENDED DIMENSION



NOTES:

- MATERIALS:
HOUSING - LIQUID CRYSTAL POLYMER (LCP),
GLASS-FILLED, UL 94V-0, COLOR: BLACK.
SIGNAL PIN & SHIELD - COPPER ALLOY.
- FINISHES:
SELECTIVE GOLD (Au) IN CONTACT AREA;
SELECTIVE TIN/LEAD (Sn/Pb) ON PCB TAILS AND
NICKEL (Ni) OVERALL.
- THIS PART CONFORMS TO MOLEX
PRODUCT SPECIFICATION PS-74031-999
- FOR MIXED CONTACT MATING LENGTHS.
CONSULT MOLEX FOR AVAILABILITY.
- FOR SPECIFIC MATERIAL NUMBERS
AND MATING INFORMATION REFER TO
SHEET 2.
- PACKAGE PER PK-74060-003.
- EITHER MARK PARTS WITH PART NUMBER AND DATE CODE
APPROXIMATELY WHERE SHOWN OR PLACE LABEL ON HTE TUBE.

I	G
I	G
SHT	REV
REVISE ON CAD ONLY	

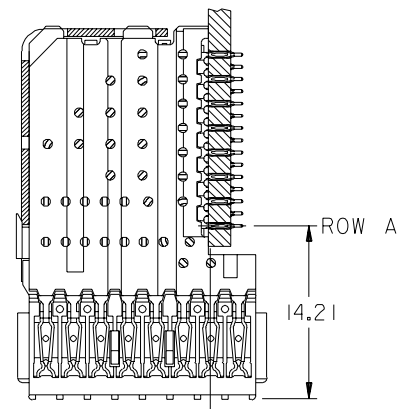
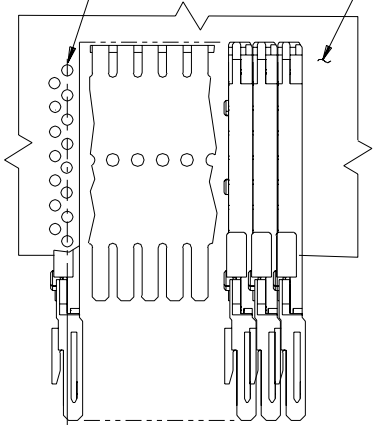
DIMENSIONS:

<input type="checkbox"/> mm	<input type="checkbox"/> INCH	<input checked="" type="checkbox"/> mm ONLY
-----------------------------	-------------------------------	---

EC NO. LUT2000-0443 DRWN: MWANG 01/09/18 CHK: NMARTIN 01/09/19 APPR: CBIXLER 01/09/19	QUALITY SYMBOLS MAJOR \blacktriangledown = 0 CRITICAL \blacktriangledown = 0	GENERAL TOLERANCES: (UNLESS SPECIFIED)	SCALE 2.5:1 <input checked="" type="checkbox"/> mm <input type="checkbox"/> INCH	DESIGN UNITS <input checked="" type="checkbox"/> mm <input type="checkbox"/> INCH	THIRD ANGLE PROJECTION	DIMENSIONS:	I G I G SHT REV REVISE ON CAD ONLY
		mm INCH 4 PLACES ±0.--- ±. 3 PLACES ±0.--- ±. 2 PLACES ±0.--- ±. 1 PLACE ±0.--- ±. ANGULAR: ± --- °	DRAWN BY & DATE MWANG 11/09/98	CHECKED BY & DATE JLAURX 11/09/98	APPROVED BY & DATE CBIXLER 11/09/98	CAD FILENAME SD-74060-002.DGN	MATERIAL NO. SEE SHEET 2
DRAFT WHERE APPLICABLE MUST REMAIN WITHIN DIMENSIONS		THIS DRAWING CONTAINS INFORMATION THAT IS PROPRIETARY TO MOLEX INCORPORATED AND SHOULD NOT BE USED WITHOUT WRITTEN PERMISSION.		MOLEX INCORPORATED		VHDM BACKPLANE 8 ROW OPEN ENDS SALES DRAWING	

10 9 8 7 6 5 4 3 2 74060

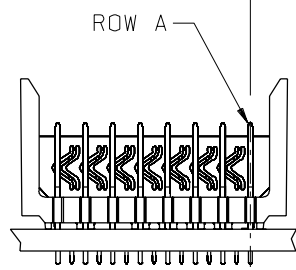
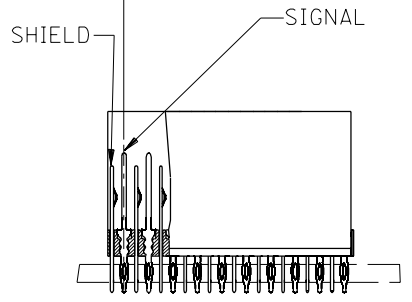
SIGNAL COLUMN
DAUGHTERCARD CONNECTOR SIDE



PART NUMBER	COLUMN	NUMBER OF SIGNAL PIN	NUMBER OF SHIELD	A MAX	B	M	Au (um) THICKNESS	Sn/Ph (um) THICKNESS
74060-1001	10	80	10	20.00	18.00	4.75	0.76	0.38-1.52
74060-1006							1.27	
74060-2501	25	200	25	50.00	48.00		0.76	
74060-2506							1.27	
74060-1002	10	80	10	20.00	18.00	6.25	0.76	
74060-1007							1.27	
74060-2502	25	200	25	50.00	48.00		0.76	
74060-2507							1.27	
74060-1003	10	80	10	20.00	18.00	4.25	0.76	
74060-1008							1.27	
74060-2503	25	200	25	50.00	48.00		0.76	
74060-2508							1.27	
74060-1004	10	80	10	20.00	18.00	5.15	0.76	
74060-1009							1.27	
74060-2504	25	200	25	50.00	48.00		0.76	
74060-2509							1.27	

Ø.41 OFFSET SIGNAL TO SIGNAL

2.45 TOP DAUGHTERCARD PCB TO ROW A



REVISED EC NO. UDT2002-0443 DRWN: MWANG 01/09/18 CHK: NMARTIN 01/09/19 APPR: CBIXLER 01/09/19	QUALITY SYMBOLS MAJOR = 0 CRITICAL = 0	GENERAL TOLERANCES: (UNLESS SPECIFIED)		SCALE	DESIGN UNITS	DIMENSIONS: <input type="checkbox"/> mm <input type="checkbox"/> INCH <input checked="" type="checkbox"/> mm ONLY	SHT REV REVISE ON CAD ONLY			
		4 PLACES ±0.--- ±.	3 PLACES ±0.--- ±.	2 PLACES ±0.--- ±.	1 PLACE ±0.--- ±.			DRAWN BY & DATE MWANG 11/09/98	CHECKED BY & DATE JLAURX 11/09/98	TITLE: VHDM BACKPLANE 8 ROW OPEN ENDS SALES DRAWING
		ANGULAR: ± -- °				APPROVED BY & DATE CBIXLER 11/09/98	CAD FILENAME SD-74060-002.DGN	MATERIAL NO. SEE CHART	DRAWING NO. SD-74060-002	
		DRAFT WHERE APPLICABLE MUST REMAIN WITHIN DIMENSIONS				THIS DRAWING CONTAINS INFORMATION THAT IS PROPRIETARY TO MOLEX INCORPORATED AND SHOULD NOT BE USED WITHOUT WRITTEN PERMISSION.				SIZE B