

GlobTek, Inc. www.globtek.com 186 Veterans Drive, Northvale, NJ 07647 Tel. (201) 784-1000 Fax (201) 784-0111	Drawing Title: GTM41078-0605-USB, ICT / ITE / Medical Power Supply, Efficiency Level: V, Case Color/Style: GlobTek Black, Wall Plug-in, Regulated Switchmode AC-DC Power Supply AC Adaptor, Input Rating: 100-240V~, 50-60 Hz, Interchangeable Blades <a href="http://en.globtek.com/interchangeable-blades.php">http://en.globtek.com/interchangeable-blades.php</a> , Output Rating: 6W, 5.0V@1.2A, Output Configuration: N/A mm, N/A/4 Cond, N/A, Type "A" USB "JACK", integral to power supply enclosure, Ferrite: None, N/A, GT Cord # C0132, Pin Out: Pin 1: (+V), Pin 2 & 3: No connection Pin 4: (-V), Blades/Input Cord: (Order Separately), Approvals: NOM (15V only); UKCA; EC; Double Insulation; WEEE; China RoHS; RoHS; Ukraine; LPS 60950; IP20; Level V; cETLus ES60601 (5V only); cETLus 60601-1 3rd (5V only); cETLus (5V only); cETLus (5V only); CB 60601-1 2MOPP (5V only); CB 60950 (5V only); South Africa; Serbia; CE; Korea (5V Only); RCM; Taiwan BSMI (5V only); IRAM; Kuwait; Saudi; EAC; CCC; GEMS (5V); PSE; VCCI;	
	Model No. GTM41078-0605-USB	
	Part No./Ordering No. WR9QA1200USBNMEDRVB	Rev I2

In Addition to GlobTek Inc.'s renewed ISO9001:2015 - Quality Management System Certification, GlobTek Inc. is now certified to:

ISO13485:2016 - Medical Devices Quality Management System Certification

ISO14001:2015 - Environmental Management System Certification

ISO Certificates are available online at <https://www.globtek.com/iso-certificates/>

The acceptance of this specification and use of the product described in this document indicates the acceptance and binding of the customer to Globtek TERMS AND CONDITIONS (attached to the end of this document), which supersede all other agreements, terms, and conditions (<https://en.globtek.com/terms-and-conditions/>).

The purchaser of this product (Customer) agrees that it is their sole responsibility to determine suitability/fitness of the product described in this specification for their application and to take precautions for protection against any hazards attendant to the handling and use of the product.

Footnote:

GlobTek Inc. will not be liable for the safety and performance of these power supplies/battery packs if unauthorized access and repair occurs. End user should consult applicable UL, CSA or EN standards for proper installation instruction.

Limitation of Use:

GlobTek products are intended for use with commercial, medical, and/or industrial equipment only. GlobTek product are not authorized for use as mission critical components in life support hazardous environment, nuclear or aircraft applications without prior written approval from the CEO of GlobTek Inc.

Contents of this document are subject to change without prior notice.

### Customer Approval of Specification:

Please approve, sign and send back to GlobTek so we can complete order processing.

A delay in receipt of this form will delay delivery schedule.

Company Name: _____	Customer P/N: _____
Quote Number: _____	Date: _____
Authorized Representative Name: _____	Authorized Representative Signature: _____

GlobTek, Inc. www.globtek.com 186 Veterans Drive, Northvale, NJ 07647 Tel. (201) 784-1000 Fax (201) 784-0111	Drawing Title: GTM41078-0605-USB, ICT / ITE / Medical Power Supply, Efficiency Level: V, Case Color/Style: GlobTek Black, Wall Plug-in, Regulated Switchmode AC-DC Power Supply AC Adaptor, Input Rating: 100-240V~, 50-60 Hz, Interchangeable Blades <a href="http://en.globtek.com/interchangeable-blades.php">http://en.globtek.com/interchangeable-blades.php</a> , Output Rating: 6W, 5.0V@1.2A, Output Configuration: N/A mm, N/A/4 Cond, N/A, Type "A" USB "JACK", integral to power supply enclosure, Ferrite: None, N/A, GT Cord # C0132, Pin Out: Pin 1: (+V), Pin 2 & 3: No connection Pin 4: (-V), Blades/Input Cord: (Order Separately), Approvals: NOM (15V only); UKCA; EC; Double Insulation; WEEE; China RoHS; RoHS; Ukraine; LPS 60950; IP20; Level V; cETLus ES60601 (5V only); cETLus 60601-1 3rd (5V only); cETLus (5V only); cETLus (5V only); CB 60601-1 2MOPP (5V only); CB 60950 (5V only); South Africa; Serbia; CE; Korea (5V Only); RCM; Taiwan BSMI (5V only); IRAM; Kuwait; Saudi; EAC; CCC; GEMS (5V); PSE; VCCI;	
	Model No. GTM41078-0605-USB	
	Part No./Ordering No. WR9QA1200USBNMEDRVB	Rev I2

## REVISION HISTORY

REV	DESCRIPTION	SUB	DATE	APPROVED
I2	Update approval NOM-ETL to NOM-NYCE, Remove Brazil & Semko marks	QA	05/20/2021	QA
I1	Update CCC, Ukraine approvals, add Serbia approval to the label, update label specs to ISO 15223 medical device complaint label	QA	03/20/2020	QA
I	Add Brazil approval.	emcna	04/26/2016	QA
H	Update label approvals.	emcna	03/21/2016	QA
G	Change CQC-PSE to TUV-PSE, and change MEDICAL POWER SUPPLY to MEDICAL/ITE POWER SUPPLY	QA	07/23/2015	QA
F	Remove drawing O/P cable from packing	QA	02/16/2015	QA
E	Add CE mark to approval section (logo molded into case)	bsiep	01/15/2015	QA
D	Correct pin-out of USB. Was Pin 1: +V, Pin 2-4: N/C, Pin 5: GND. Now Pin 1: +, Pin 2&3: N/C, Pin 4: - where pins 2&3 are not interconnected.	emcna	02/06/2014	QA
C	New spec format. Update label approvals.	pkran	11/27/2013	QA

### POWER SUPPLY INFORMATION

TYPE	Wall Plug-in
TECHNOLOGY	Regulated Switchmode AC-DC Power Supply AC Adaptor
CASE COLOR	GlobTek Black
NAMEPLATE RATED INPUT	100-240V~, 50-60 Hz, 0.3A
INPUT CONFIG	Interchangeable Blades
WATTS	6.00
VOLTS OUT	5.0
CURRENT OUT (Amps)	1.2
BLADE/CORD INCLUDED	None (Order Separately)
BLADE/CORD INSTALLED	None (Order Separately)
INGRESS PROTECTION	Indoor Use
GROUNDING CONFIGURATION	(F1) Class II / Double Insulated
EFFICIENCY LEVEL	V
OUTPUT CONFIGURATION	N/A mm, N/A/4 Cond, N/A, Type "A" USB "JACK", integral to power supply enclosure, Ferrite: None, N/A, GT Cord # C0132
CONNECTOR PIN OUT	Pin 1: (+V), Pin 2 & 3: No connection Pin 4: (-V)
LABEL SPECS	ISO 15223 medical device compliant label,L-1470
SPECIAL BARCODE LABEL MATERIAL	No
PACK SPEC	Standard with USB Jack, Individually Box
USER MANUAL	

#### PROPRIETARY INFORMATION

PROPRIETARY OF GLOBTEK, INC. ANY REPRODUCTION, DISCLOSURE OR USE OF THIS DRAWING, IN WHOLE OR IN PART, IS HEREBY PROHIBITED EXCEPT AS SPECIFIED IN WRITING BY GLOBTEK, INC. © GlobTek, Inc. 2013 - 2023

GlobTek, Inc. www.globtek.com 186 Veterans Drive, Northvale, NJ 07647 Tel. (201) 784-1000 Fax (201) 784-0111	Drawing Title: GTM41078-0605-USB, ICT / ITE / Medical Power Supply, Efficiency Level: V, Case Color/Style: GlobTek Black, Wall Plug-in, Regulated Switchmode AC-DC Power Supply AC Adaptor, Input Rating: 100-240V~, 50-60 Hz, Interchangeable Blades <a href="http://en.globtek.com/interchangeable-blades.php">http://en.globtek.com/interchangeable-blades.php</a> , Output Rating: 6W, 5.0V@1.2A, Output Configuration: N/A mm, N/A/4 Cond, N/A, Type "A" USB "JACK", integral to power supply enclosure, Ferrite: None, N/A, GT Cord # C0132, Pin Out: Pin 1: (+V), Pin 2 & 3: No connection Pin 4: (-V), Blades/Input Cord: (Order Separately), Approvals: NOM (15V only); UKCA; EC; Double Insulation; WEEE; China RoHS; RoHS; Ukraine; LPS 60950; IP20; Level V; cETLus ES60601 (5V only); cETLus 60601-1 3rd (5V only); cETLus (5V only); cETLus (5V only); CB 60601-1 2MOPP (5V only); CB 60950 (5V only); South Africa; Serbia; CE; Korea (5V Only); RCM; Taiwan BSMI (5V only); IRAM; Kuwait; Saudi; EAC; CCC; GEMS (5V); PSE; VCCI;	
	Model No. GTM41078-0605-USB	
	Part No./Ordering No. WR9QA1200USBNMEDRVB	Rev I2

Notes/Modifications/Customizations (notes in this section supersede the values shown in the standard spec)

DIMENSIONS ARE IN MM UNLESS SPECIFIED OTHERWISE

GlobTek, Inc. www.globtek.com 186 Veterans Drive, Northvale, NJ 07647 Tel. (201) 784-1000 Fax (201) 784-0111	Drawing Title: GTM41078-0605-USB, ICT / ITE / Medical Power Supply, Efficiency Level: V, Case Color/Style: GlobTek Black, Wall Plug-in, Regulated Switchmode AC-DC Power Supply AC Adaptor, Input Rating: 100-240V~, 50-60 Hz, Interchangeable Blades <a href="http://en.globtek.com/interchangeable-blades.php">http://en.globtek.com/interchangeable-blades.php</a> , Output Rating: 6W, 5.0V@1.2A, Output Configuration: N/A mm, N/A/4 Cond, N/A, Type "A" USB "JACK", integral to power supply enclosure, Ferrite: None, N/A, GT Cord # C0132, Pin Out: Pin 1: (+V), Pin 2 & 3: No connection Pin 4: (-V), Blades/Input Cord: (Order Separately), Approvals: NOM (15V only); UKCA; EC; Double Insulation; WEEE; China RoHS; RoHS; Ukraine; LPS 60950; IP20; Level V; cETLus ES60601 (5V only); cETLus 60601-1 3rd (5V only); cETLus (5V only); cETLus (5V only); CB 60601-1 2MOPP (5V only); CB 60950 (5V only); South Africa; Serbia; CE; Korea (5V Only); RCM; Taiwan BSMI (5V only); IRAM; Kuwait; Saudi; EAC; CCC; GEMS (5V); PSE; VCCI;	
	Model No. GTM41078-0605-USB	
	Part No./Ordering No. WR9QA1200USBNMEDRVB	Rev I2

ELECTRICAL SPECIFICATIONS

GlobTek, Inc. www.globtek.com 186 Veterans Drive, Northvale, NJ 07647 Tel. (201) 784-1000 Fax (201) 784-0111	Drawing Title: GTM41078-0605-USB, ICT / ITE / Medical Power Supply, Efficiency Level: V, Case Color/Style: GlobTek Black, Wall Plug-in, Regulated Switchmode AC-DC Power Supply AC Adaptor, Input Rating: 100-240V~, 50-60 Hz, Interchangeable Blades <a href="http://en.globtek.com/interchangeable-blades.php">http://en.globtek.com/interchangeable-blades.php</a> , Output Rating: 6W, 5.0V@1.2A, Output Configuration: N/A mm, N/A/4 Cond, N/A, Type "A" USB "JACK", integral to power supply enclosure, Ferrite: None, N/A, GT Cord # C0132, Pin Out: Pin 1: (+V), Pin 2 & 3: No connection Pin 4: (-V), Blades/Input Cord: (Order Separately), Approvals: NOM (15V only); UKCA; EC; Double Insulation; WEEE; China RoHS; RoHS; Ukraine; LPS 60950; IP20; Level V; cETLus ES60601 (5V only); cETLus 60601-1 3rd (5V only); cETLus (5V only); cETLus (5V only); CB 60601-1 2MOPP (5V only); CB 60950 (5V only); South Africa; Serbia; CE; Korea (5V Only); RCM; Taiwan BSMI (5V only); IRAM; Kuwait; Saudi; EAC; CCC; GEMS (5V); PSE; VCCI;	
	Model No. GTM41078-0605-USB	
	Part No./Ordering No. WR9QA1200USBNMEDRVB	Rev I2

#### A) ELECTRICAL SPECIFICATIONS:

1. Input Voltage: Specified 90-264 Vac, Nameplate rated 100-240 Vac
2. Input Frequency: Specified 47-63 Hz, Nameplate rated 50-60 Hz
3. Output Power (Rated): 6Watts maximum
4. Output Regulation: +/- 5% measured at the output connector measured at the end of a 1 meter USB cordset employing #22 Gauge conductors
5. Line Voltage Regulation: +/- 1% typical measured at the output connector measured at the end of a 1 meter USB cordset employing #22 Gauge conductors
6. Output Ripple (Vp-p): +/-1% or 100 mV whichever is greater measured at the end of a 1 meter USB cordset employing #22 Gauge conductors. Measured at 20 MHz bandwidth with 0.1 uf ceramic capacitor in parallel with 10 uf electrolytic capacitor connected at the end of the output connector.
7. Turn-On/Turn-Off Overshoot: 5% maximum, 500 us maximum recovery time for 25% step load.
8. Turn-On Delay: 3000 mSEC maximum
9. Hold-Up Time: 8mSec maximum at nominal input and full load.
10. Inrush Current: 30A typical @ 115Vac input ; 60A typical @ 230Vac input
11. Switching Frequency: 66.5 KHz typical

#### B) PROTECTION

1. Over-Voltage Protection: 110% to 140% of nominal output voltage: Protected unit will recover upon removal of fault
2. Short Circuit: Electronically Protected, unit will recover upon removal of fault
3. Input Protection: Input line fusing

#### C) SAFETY

1. Dielectric Withstand Voltage: 5656Vdc from primary to secondary
2. Earth Leakage Current: N/A for Class II units, there is no PE Ground pin, so Earth Leakage current is not measured
3. Touch Current: Maximum allowed values: 100uA NC(Normal condition) 500uA SFC(single fault condition)
4. Means of Protection: 2 x MOPP
5. ROHS 2: Complies with EU 2011/65/EU and China SJ/T 11363-2006

#### D) EMC

EN 60601-1-2, 4<sup>th</sup> edition  
Emissions, per EN 55032, EN 61000-6-3, EN61000-6-4, CISPR11 and CISPR22  
Conducted Emissions: Class B, FCC Part 15, Class B  
Radiated Emissions: Class B, FCC Part 15, Class B  
Line Frequency Harmonics EN61000-3-2, Class A  
Voltage Fluctuations/Flicker EN61000-3-3

#### E) OTHER:

1. MTBF: 200,000 hours @ 25°C ambient temperature
2. Operating Temperature: 0°C to 40°C ambient temperature
3. Humidity: 0% to 95% relative humidity
4. Storage Temperature: -40°C to 80°C

#### F) ENCLOSURE

1. Housing: High impact plastic, 94V0 polycarbonate, non-vented
2. Size: 41.0 x 71.0 x 31.5 mm +/-1.0 mm
3. Markings: Label and/or Pad Printed and/or Molded in the case

#### PROPRIETARY INFORMATION

PROPRIETARY OF GLOBTEK, INC. ANY REPRODUCTION, DISCLOSURE OR USE OF THIS DRAWING, IN WHOLE OR IN PART, IS HEREBY PROHIBITED EXCEPT AS SPECIFIED IN WRITING BY GLOBTEK, INC. © GlobTek, Inc. 2013 - 2023

GlobTek, Inc. www.globtek.com 186 Veterans Drive, Northvale, NJ 07647 Tel. (201) 784-1000 Fax (201) 784-0111	Drawing Title: GTM41078-0605-USB, ICT / ITE / Medical Power Supply, Efficiency Level: V, Case Color/Style: GlobTek Black, Wall Plug-in, Regulated Switchmode AC-DC Power Supply AC Adaptor, Input Rating: 100-240V~, 50-60 Hz, Interchangeable Blades <a href="http://en.globtek.com/interchangeable-blades.php">http://en.globtek.com/interchangeable-blades.php</a> , Output Rating: 6W, 5.0V@1.2A, Output Configuration: N/A mm, N/A/4 Cond, N/A, Type "A" USB "JACK", integral to power supply enclosure, Ferrite: None, N/A, GT Cord # C0132, Pin Out: Pin 1: (+V), Pin 2 & 3: No connection Pin 4: (-V), Blades/Input Cord: (Order Separately), Approvals: NOM (15V only); UKCA; EC; Double Insulation; WEEE; China RoHS; RoHS; Ukraine; LPS 60950; IP20; Level V; cETLus ES60601 (5V only); cETLus 60601-1 3rd (5V only); cETLus (5V only); cETLus (5V only); CB 60601-1 2MOPP (5V only); CB 60950 (5V only); South Africa; Serbia; CE; Korea (5V Only); RCM; Taiwan BSMI (5V only); IRAM; Kuwait; Saudi; EAC; CCC; GEMS (5V); PSE; VCCI;	
	Model No. GTM41078-0605-USB	
	Part No./Ordering No. WR9QA1200USBNMEDRVB	Rev I2

TO ADDRESS SYSTEM-LEVEL EMI CONCERNS, FERRITE CHOKES/BEADS MAY BE ADDED/REVISED UPON REQUEST. A SAMPLE KIT OF GLOBTEK'S STANDARD FERRITES IS AVAILABLE UNDER GLOBTEK P/N: EMI-MITIGATION-KIT1

FOR ADDITIONAL INFORMATION, PLEASE READ OUR WHITE PAPER AT: <https://r.globtek.info/3QeaqtD>

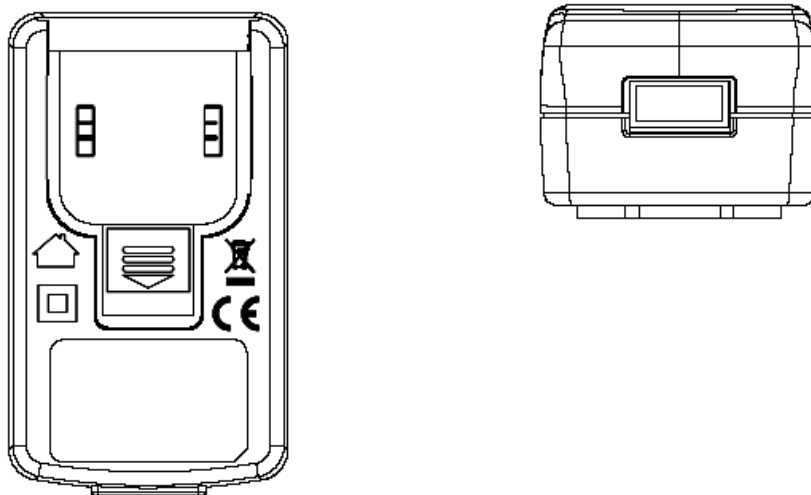
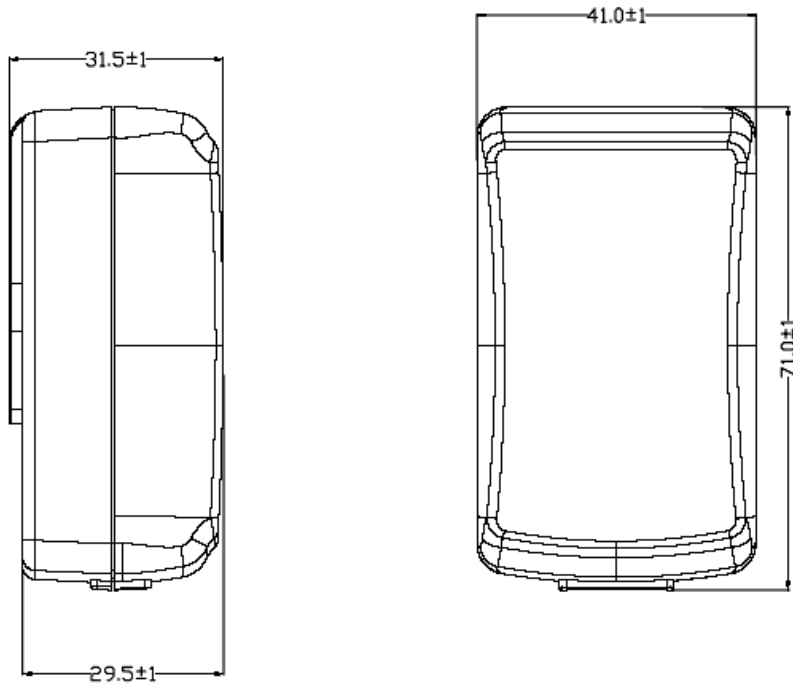
INGRESS PROTECTION: Indoor Use

GlobTek, Inc. www.globtek.com 186 Veterans Drive, Northvale, NJ 07647 Tel. (201) 784-1000 Fax (201) 784-0111	Drawing Title: GTM41078-0605-USB, ICT / ITE / Medical Power Supply, Efficiency Level: V, Case Color/Style: GlobTek Black, Wall Plug-in, Regulated Switchmode AC-DC Power Supply AC Adaptor, Input Rating: 100-240V~, 50-60 Hz, Interchangeable Blades <a href="http://en.globtek.com/interchangeable-blades.php">http://en.globtek.com/interchangeable-blades.php</a> , Output Rating: 6W, 5.0V@1.2A, Output Configuration: N/A mm, N/A/4 Cond, N/A, Type "A" USB "JACK", integral to power supply enclosure, Ferrite: None, N/A, GT Cord # C0132, Pin Out: Pin 1: (+V), Pin 2 & 3: No connection Pin 4: (-V), Blades/Input Cord: (Order Separately), Approvals: NOM (15V only); UKCA; EC; Double Insulation; WEEE; China RoHS; RoHS; Ukraine; LPS 60950; IP20; Level V; cETLus ES60601 (5V only); cETLus 60601-1 3rd (5V only); cETLus (5V only); cETLus (5V only); CB 60601-1 2MOPP (5V only); CB 60950 (5V only); South Africa; Serbia; CE; Korea (5V Only); RCM; Taiwan BSMI (5V only); IRAM; Kuwait; Saudi; EAC; CCC; GEMS (5V); PSE; VCCI;	
	Model No. GTM41078-0605-USB	
	Part No./Ordering No. WR9QA1200USBNMEDRVB	Rev I2

3D File Download <https://www.globtek.com/file/dl/051515.rar>

GlobTek, Inc. www.globtek.com 186 Veterans Drive, Northvale, NJ 07647 Tel. (201) 784-1000 Fax (201) 784-0111	Drawing Title: GTM41078-0605-USB, ICT / ITE / Medical Power Supply, Efficiency Level: V, Case Color/Style: GlobTek Black, Wall Plug-in, Regulated Switchmode AC-DC Power Supply AC Adaptor, Input Rating: 100-240V~, 50-60 Hz, Interchangeable Blades <a href="http://en.globtek.com/interchangeable-blades.php">http://en.globtek.com/interchangeable-blades.php</a> , Output Rating: 6W, 5.0V@1.2A, Output Configuration: N/A mm, N/A/4 Cond, N/A, Type "A" USB "JACK", integral to power supply enclosure, Ferrite: None, N/A, GT Cord # C0132, Pin Out: Pin 1: (+V), Pin 2 & 3: No connection Pin 4: (-V), Blades/Input Cord: (Order Separately), Approvals: NOM (15V only); UKCA; EC; Double Insulation; WEEE; China RoHS; RoHS; Ukraine; LPS 60950; IP20; Level V; cETLus ES60601 (5V only); cETLus 60601-1 3rd (5V only); cETLus (5V only); cETLus (5V only); CB 60601-1 2MOPP (5V only); CB 60950 (5V only); South Africa; Serbia; CE; Korea (5V Only); RCM; Taiwan BSMI (5V only); IRAM; Kuwait; Saudi; EAC; CCC; GEMS (5V); PSE; VCCI;	
	Model No. GTM41078-0605-USB	
	Part No./Ordering No. WR9QA1200USBNMEDRVB	Rev I2

Mechanical drawing





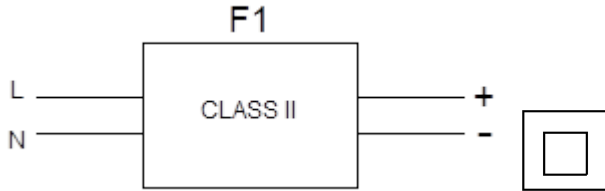
<p>GlobTek, Inc.  www.globtek.com  186 Veterans Drive,  Northvale, NJ 07647  Tel. (201) 784-1000  Fax (201) 784-0111</p>	<p>Drawing Title: GTM41078-0605-USB, ICT / ITE / Medical Power Supply, Efficiency Level: V, Case Color/Style: GlobTek Black, Wall Plug-in, Regulated Switchmode AC-DC Power Supply AC Adaptor, Input Rating: 100-240V~, 50-60 Hz, Interchangeable Blades <a href="http://en.globtek.com/interchangeable-blades.php">http://en.globtek.com/interchangeable-blades.php</a>, Output Rating: 6W, 5.0V@1.2A, Output Configuration: N/A mm, N/A/4 Cond, N/A, Type "A" USB "JACK", integral to power supply enclosure, Ferrite: None, N/A, GT Cord # C0132, Pin Out: Pin 1: (+V), Pin 2 &amp; 3: No connection Pin 4: (-V), Blades/Input Cord: (Order Separately), Approvals: NOM (15V only); UKCA; EC; Double Insulation; WEEE; China RoHS; RoHS; Ukraine; LPS 60950; IP20; Level V; cETLus ES60601 (5V only); cETLus 60601-1 3rd (5V only); cETLus (5V only); cETLus (5V only); CB 60601-1 2MOPP (5V only); CB 60950 (5V only); South Africa; Serbia; CE; Korea (5V Only); RCM; Taiwan BSMI (5V only); IRAM; Kuwait; Saudi; EAC; CCC; GEMS (5V); PSE; VCCI;</p>	
	<p>Model No. GTM41078-0605-USB</p>	
	<p>Part No./Ordering No. WR9QA1200USBNMEDRVB</p>	<p>Rev I2</p>



GlobTek, Inc. www.globtek.com 186 Veterans Drive, Northvale, NJ 07647 Tel. (201) 784-1000 Fax (201) 784-0111	Drawing Title: GTM41078-0605-USB, ICT / ITE / Medical Power Supply, Efficiency Level: V, Case Color/Style: GlobTek Black, Wall Plug-in, Regulated Switchmode AC-DC Power Supply AC Adaptor, Input Rating: 100-240V~, 50-60 Hz, Interchangeable Blades <a href="http://en.globtek.com/interchangeable-blades.php">http://en.globtek.com/interchangeable-blades.php</a> , Output Rating: 6W, 5.0V@1.2A, Output Configuration: N/A mm, N/A/4 Cond, N/A, Type "A" USB "JACK", integral to power supply enclosure, Ferrite: None, N/A, GT Cord # C0132, Pin Out: Pin 1: (+V), Pin 2 & 3: No connection Pin 4: (-V), Blades/Input Cord: (Order Separately), Approvals: NOM (15V only); UKCA; EC; Double Insulation; WEEE; China RoHS; RoHS; Ukraine; LPS 60950; IP20; Level V; cETLus ES60601 (5V only); cETLus 60601-1 3rd (5V only); cETLus (5V only); cETLus (5V only); CB 60601-1 2MOPP (5V only); CB 60950 (5V only); South Africa; Serbia; CE; Korea (5V Only); RCM; Taiwan BSMI (5V only); IRAM; Kuwait; Saudi; EAC; CCC; GEMS (5V); PSE; VCCI;	
	Model No. GTM41078-0605-USB	
	Part No./Ordering No. WR9QA1200USBNMEDRVB	Rev I2

## INPUT CONFIGURATION

(F1) Class II / Double Insulated



[Alternate grounding configurations](#) available upon request.

Blades/Cord Included:None:(Order Separately)

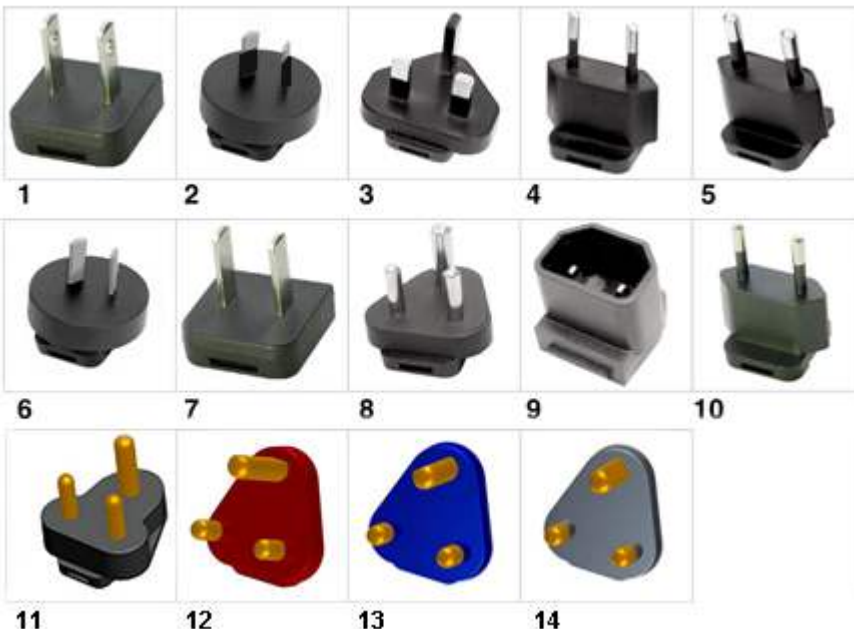
Blades/Cord Installed:None:(Order Separately)

Blade Options for Q Series Wall Plug-in Power Supplies

Data Sheet: <http://en.globtek.com/interchangeable-blades.php>

Insertion Instructions: <http://www.globtek.com/pdf/Instructions-Interchangeable-Blades.pdf>

Video: [Q-Blade Style Instruction Video](#)



### PROPRIETARY INFORMATION

PROPRIETARY OF GLOBTEK, INC. ANY REPRODUCTION, DISCLOSURE OR USE OF THIS DRAWING, IN WHOLE OR IN PART, IS HEREBY PROHIBITED EXCEPT AS SPECIFIED IN Page 10 of 21

WRITING BY GLOBTEK, INC. © GlobTek, Inc. 2013 - 2023

quest / 08/11/2023 11:30:39 PM GMT

GlobTek, Inc. www.globtek.com 186 Veterans Drive, Northvale, NJ 07647 Tel. (201) 784-1000 Fax (201) 784-0111	Drawing Title: GTM41078-0605-USB, ICT / ITE / Medical Power Supply, Efficiency Level: V, Case Color/Style: GlobTek Black, Wall Plug-in, Regulated Switchmode AC-DC Power Supply AC Adaptor, Input Rating: 100-240V~, 50-60 Hz, Interchangeable Blades <a href="http://en.globtek.com/interchangeable-blades.php">http://en.globtek.com/interchangeable-blades.php</a> , Output Rating: 6W, 5.0V@1.2A, Output Configuration: N/A mm, N/A/4 Cond, N/A, Type "A" USB "JACK", integral to power supply enclosure, Ferrite: None, N/A, GT Cord # C0132, Pin Out: Pin 1: (+V), Pin 2 & 3: No connection Pin 4: (-V), Blades/Input Cord: (Order Separately), Approvals: NOM (15V only); UKCA; EC; Double Insulation; WEEE; China RoHS; RoHS; Ukraine; LPS 60950; IP20; Level V; cETLus ES60601 (5V only); cETLus 60601-1 3rd (5V only); cETLus (5V only); cETLus (5V only); CB 60601-1 2MOPP (5V only); CB 60950 (5V only); South Africa; Serbia; CE; Korea (5V Only); RCM; Taiwan BSMI (5V only); IRAM; Kuwait; Saudi; EAC; CCC; GEMS (5V); PSE; VCCI;	
	Model No. GTM41078-0605-USB	
	Part No./Ordering No. WR9QA1200USBNMEDRVB	Rev I2

INPUT CONNECTOR: Q-Socket (below are available blades configurations which are "not included" (unless stated above); can be purchased separately, package with power supply or as a separate "Q-KIT" if specified

01. United States / Canada / Japan NEMA 1-15P/ IEC PLUG Type A [WORKS IN PLUG B] configuration: NA 2 blades, Class II; US/CA/JP P/N: Q-NA(R)
02. Australian AS 3112 configuration: SAA 2 blade/ IEC TYPE I, Class II; AU P/N: Q-SAA(R)
03. UK BS 1363 configuration: UK 3 blade with dummy Ground/ IEC TYPE G, Class II; GB P/N: Q-UK(R)
04. European CEE 7/16 configuration: Europlug 2 pins/ IEC TYPE C [WORKS IN TYPE E&F], Class II; EU P/N: Q-EU(R)
05. Korean KS C8305 configuration: 2 pins/SIMILAR TO IEC TYPE C, Class II; KR P/N: Q-KR(R)
06. Argentina IRAM 2073 configuration: 2 blades/SIMILAR TO IEC TYPE I; AR P/N: Class II Q-AR(R)
07. China GB 2099 configuration: 2 blades/SIMILAR TO TYPE A, Class II; CN P/N:Q-CN(R)
08. India IS 1293 6A/BS546 configuration: 5A, 3 pins with Dummy Ground, Class II/IEC TYPE D; IN P/N: Q-IN(R)
09. IEC60320/C18 Inlet, Class II; P/N: Q-C18(R)
10. Brazilian NBR6147 configuration: 2 pins, Class II;SIMILAR TO IEC TYPE C BR P/N: Q-BR(R)
11. South Africa SABS164-1 and India IS 1293, IS694, 16A type plug, 3 round prongs, Class II + dummy ground, IEC TYPE M P/N: Q-SANS164-1-16A(R)
12. South Africa SABS164-4, 3 round prongs with a notched prong @ 0°, Class II + dummy ground, IEC TYPE M Red, P/N:  
Q-SANS164-4C-16A(R)
13. South Africa SABS164-4, 3 round prongs with a notched prong @ -53°, Class II + dummy ground, Blue, IEC TYPE M, P/N:  
Q-SANS164-4L-16A(R)
14. South Africa SABS164-4, 3 round prongs with a notched prong @ +53°, Class II + dummy ground, Black,IEC TYPE M P/N:  
Q-SANS164-4R-16A(R)

#### Kits

01. Q-KIT: 1,2,3,4 above
02. Q-KIT-INTL: 2,3,4 above
03. Q-KIT-6: 1,2,3,4,5,6 above
04. Q-KIT-7: 1,2,3,4,5,6,7 above
05. Q-KIT-8: 1,2,3,4,5,6,7,8 above

GlobTek, Inc. www.globtek.com 186 Veterans Drive, Northvale, NJ 07647 Tel. (201) 784-1000 Fax (201) 784-0111	Drawing Title: GTM41078-0605-USB, ICT / ITE / Medical Power Supply, Efficiency Level: V, Case Color/Style: GlobTek Black, Wall Plug-in, Regulated Switchmode AC-DC Power Supply AC Adaptor, Input Rating: 100-240V~, 50-60 Hz, Interchangeable Blades <a href="http://en.globtek.com/interchangeable-blades.php">http://en.globtek.com/interchangeable-blades.php</a> , Output Rating: 6W, 5.0V@1.2A, Output Configuration: N/A mm, N/A/4 Cond, N/A, Type "A" USB "JACK", integral to power supply enclosure, Ferrite: None, N/A, GT Cord # C0132, Pin Out: Pin 1: (+V), Pin 2 & 3: No connection Pin 4: (-V), Blades/Input Cord: (Order Separately), Approvals: NOM (15V only); UKCA; EC; Double Insulation; WEEE; China RoHS; RoHS; Ukraine; LPS 60950; IP20; Level V; cETLus ES60601 (5V only); cETLus 60601-1 3rd (5V only); cETLus (5V only); cETLus (5V only); CB 60601-1 2MOPP (5V only); CB 60950 (5V only); South Africa; Serbia; CE; Korea (5V Only); RCM; Taiwan BSMI (5V only); IRAM; Kuwait; Saudi; EAC; CCC; GEMS (5V); PSE; VCCI;	
	Model No. GTM41078-0605-USB	
	Part No./Ordering No. WR9QA1200USBNMEDRVB	Rev I2

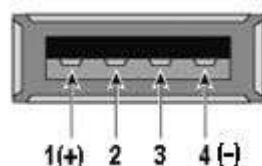
**OUTPUT CORD AND CONNECTOR: USBMT/C0132**

ACTUAL CONNECTORS, OVERMOLDS, FERRITES MAY VARY SLIGHTLY FROM THE PICTURE BELOW

CABLE TYPE	N/A
CABLE LENGTH (mm)	N/A
CABLE TOLERANCE (mm)	N/A
WIRE GAUGE (AWG)	N/A
CONDUCTORS	4
HANK DIMENSION (mm)	N/A
CABLE / CONNECTOR OVERMOLD COLOR	N/A
FERRITE TYPE AND DIMENSION	None
FERRITE NUMBER OF TURNS <a href="#">(Definition)</a>	N/A
FERRITE DIMENSION FROM STRAIN RELIEF	N/A
FERRITE DIMENSION FROM PLUG	N/A
PLUG TYPE	Type "A" USB "JACK", integral to power supply enclosure
OVER MOLD ORIENTATION	PCB Mount Connector
CONNECTOR PIN OUT	Pin 1: (+V),
	Pin 2 & 3: No connection
	Pin 4: (-V)

**ADDITIONAL REQUIREMENTS**

Front View



ADDITIONAL OUTPUT PLUG OPTIONS ARE AVAILABLE AT <https://www.globtek.com/connectors/>  
STANDARD PLUGS AND CONNECTORS CAN BE SEEN ONLINE AT <https://www.globtek.com/connectors/>  
CALCULATE VOLTAGE REGULATION/DROP WITH OUR ONLINE CALCULATOR: <https://en.globtek.com/output-cable-regulation-calculator/>

GlobTek, Inc. www.globtek.com 186 Veterans Drive, Northvale, NJ 07647 Tel. (201) 784-1000 Fax (201) 784-0111	Drawing Title: GTM41078-0605-USB, ICT / ITE / Medical Power Supply, Efficiency Level: V, Case Color/Style: GlobTek Black, Wall Plug-in, Regulated Switchmode AC-DC Power Supply AC Adaptor, Input Rating: 100-240V~, 50-60 Hz, Interchangeable Blades <a href="http://en.globtek.com/interchangeable-blades.php">http://en.globtek.com/interchangeable-blades.php</a> , Output Rating: 6W, 5.0V@1.2A, Output Configuration: N/A mm, N/A/4 Cond, N/A, Type "A" USB "JACK", integral to power supply enclosure, Ferrite: None, N/A, GT Cord # C0132, Pin Out: Pin 1: (+V), Pin 2 & 3: No connection Pin 4: (-V), Blades/Input Cord: (Order Separately), Approvals: NOM (15V only); UKCA; EC; Double Insulation; WEEE; China RoHS; RoHS; Ukraine; LPS 60950; IP20; Level V; cETLus ES60601 (5V only); cETLus 60601-1 3rd (5V only); cETLus (5V only); cETLus (5V only); CB 60601-1 2MOPP (5V only); CB 60950 (5V only); South Africa; Serbia; CE; Korea (5V Only); RCM; Taiwan BSMI (5V only); IRAM; Kuwait; Saudi; EAC; CCC; GEMS (5V); PSE; VCCI;	
	Model No. GTM41078-0605-USB	
	Part No./Ordering No. WR9QA1200USBNMEDRVB	Rev I2

## OUTPUT CONNECTOR HOOK UP

TO ADDRESS SYSTEM-LEVEL EMI CONCERNS, FERRITE CHOKES/BEADS MAY BE ADDED/REVISED UPON REQUEST. A SAMPLE KIT OF GLOBTEK'S STANDARD FERRITES IS AVAILABLE UNDER GLOBTEK P/N: EMI-MITIGATION-KIT1

FOR ADDITIONAL INFORMATION, PLEASE READ OUR WHITE PAPER AT:

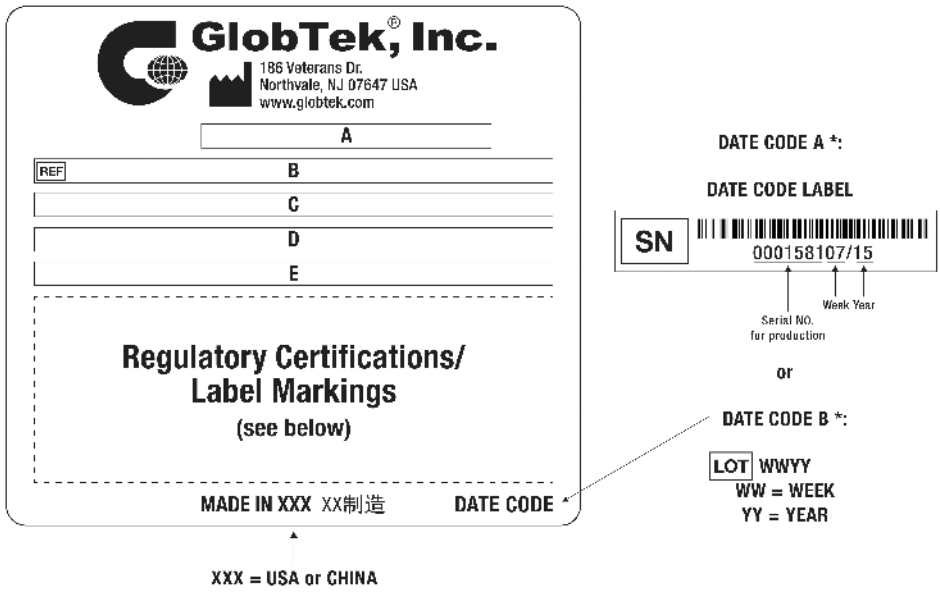
<https://en.globtek.com/technical-articles/ferrite-kit-radiated-emi-suppression-kit-for-globtek-power-supplies-cable-assemblies>

GlobTek, Inc. www.globtek.com 186 Veterans Drive, Northvale, NJ 07647 Tel. (201) 784-1000 Fax (201) 784-0111	Drawing Title: GTM41078-0605-USB, ICT / ITE / Medical Power Supply, Efficiency Level: V, Case Color/Style: GlobTek Black, Wall Plug-in, Regulated Switchmode AC-DC Power Supply AC Adaptor, Input Rating: 100-240V~, 50-60 Hz, Interchangeable Blades <a href="http://en.globtek.com/interchangeable-blades.php">http://en.globtek.com/interchangeable-blades.php</a> , Output Rating: 6W, 5.0V@1.2A, Output Configuration: N/A mm, N/A/4 Cond, N/A, Type "A" USB "JACK", integral to power supply enclosure, Ferrite: None, N/A, GT Cord # C0132, Pin Out: Pin 1: (+V), Pin 2 & 3: No connection Pin 4: (-V), Blades/Input Cord: (Order Separately), Approvals: NOM (15V only); UKCA; EC; Double Insulation; WEEE; China RoHS; RoHS; Ukraine; LPS 60950; IP20; Level V; cETLus ES60601 (5V only); cETLus 60601-1 3rd (5V only); cETLus (5V only); cETLus (5V only); CB 60601-1 2MOPP (5V only); CB 60950 (5V only); South Africa; Serbia; CE; Korea (5V Only); RCM; Taiwan BSMI (5V only); IRAM; Kuwait; Saudi; EAC; CCC; GEMS (5V); PSE; VCCI;	
	Model No. GTM41078-0605-USB	
	Part No./Ordering No. WR9QA1200USBNMEDRVB	Rev I2

**LABEL:L-1470**

LABEL P/N	ISO 15223 medical device compliant label
MATERIAL	Flat Thermal Transfer, Imprintable, Polyester Label and/or Pad Printed and/or Molded, and/or Laser Engraved in the case
BACKGROUND COLOR	Black if housing is Black, White or Silver if housing is White or Gray.
TEXT COLOR	White or Silver if label is Black Background for Black housing. Black if label is White or Silver background and Housing is White or Gray.
LABEL WIDTH (mm)	29.0
LABEL HEIGHT (mm)	18.0
SPECIAL BARCODE LABEL MATERIAL	No

Below is the minimum information which will appear on the label. NOTE: in the logo area additional/actual positioning of symbols and text is subjected to change as per agency updates/requirements or additional model approvals become available. Agency logos may be in Regulatory Certifications/Label Markings area on the label or molded into the case housing outside the label area. Information will be shown via Label and/or Pad Printed and/or Molded in the case.



- A=ICT / ITE / Medical Power Supply
- B=P/N: (料号) WR9QA1200USBNMEDRVB
- C=Model (型号) GTM41078-0605-USB
- D=Input (输入)100-240V~, 50-60 Hz, 0.3A
- E=Output (输出)5.0 V 1.2 A, 6.00W

GlobTek, Inc. www.globtek.com 186 Veterans Drive, Northvale, NJ 07647 Tel. (201) 784-1000 Fax (201) 784-0111	Drawing Title: GTM41078-0605-USB, ICT / ITE / Medical Power Supply, Efficiency Level: V, Case Color/Style: GlobTek Black, Wall Plug-in, Regulated Switchmode AC-DC Power Supply AC Adaptor, Input Rating: 100-240V~, 50-60 Hz, Interchangeable Blades <a href="http://en.globtek.com/interchangeable-blades.php">http://en.globtek.com/interchangeable-blades.php</a> , Output Rating: 6W, 5.0V@1.2A, Output Configuration: N/A mm, N/A/4 Cond, N/A, Type "A" USB "JACK", integral to power supply enclosure, Ferrite: None, N/A, GT Cord # C0132, Pin Out: Pin 1: (+V), Pin 2 & 3: No connection Pin 4: (-V), Blades/Input Cord: (Order Separately), Approvals: NOM (15V only); UKCA; EC; Double Insulation; WEEE; China RoHS; RoHS; Ukraine; LPS 60950; IP20; Level V; cETLus ES60601 (5V only); cETLus 60601-1 3rd (5V only); cETLus (5V only); cETLus (5V only); CB 60601-1 2MOPP (5V only); CB 60950 (5V only); South Africa; Serbia; CE; Korea (5V Only); RCM; Taiwan BSMI (5V only); IRAM; Kuwait; Saudi; EAC; CCC; GEMS (5V); PSE; VCCI;	
	Model No. GTM41078-0605-USB	
	Part No./Ordering No. WR9QA1200USBNMEDRVB	Rev I2

AGENCY ONLINE DOCUMENTS	<a href="http://www.globtek.info/certs/GTM41078-USB/">http://www.globtek.info/certs/GTM41078-USB/</a>
CE EC-Declaration for Medical	<a href="http://globtek.force.com/models/ec_declaration_product?id=01ta0000003eVPe&amp;m=1">http://globtek.force.com/models/ec_declaration_product?id=01ta0000003eVPe&amp;m=1</a>
CE EC-Declaration for Industrial/Commercial/ITE	<a href="http://globtek.force.com/models/ec_declaration_product?id=01ta0000003eVPe&amp;i=4">http://globtek.force.com/models/ec_declaration_product?id=01ta0000003eVPe&amp;i=4</a>
CE EC-Declaration for Household	<a href="#">Contact GlobTek for more information</a>
UKCA-Declaration for Medical	<a href="http://globtek.force.com/models/ukca_declaration_product?id=01ta0000003eVPe&amp;m=1">http://globtek.force.com/models/ukca_declaration_product?id=01ta0000003eVPe&amp;m=1</a>
UKCA-Declaration for Industrial/Commercial/ITE	<a href="http://globtek.force.com/models/ukca_declaration_product?id=01ta0000003eVPe&amp;i=4">http://globtek.force.com/models/ukca_declaration_product?id=01ta0000003eVPe&amp;i=4</a>
UKCA-Declaration for Household	<a href="#">Contact GlobTek for more information</a>
Morocco SDoC Declaration	<a href="https://globtek.secure.force.com/models/Morocco_SDoC_Declaration?id=a0Oa000000HThBrEAL">https://globtek.secure.force.com/models/Morocco_SDoC_Declaration?id=a0Oa000000HThBrEAL</a>
RoHS/RoHS3 Declaration	<a href="https://www.globtek.com/pdf/rohs_cert/01ta0000003eVPeAAM">https://www.globtek.com/pdf/rohs_cert/01ta0000003eVPeAAM</a>
REACH Declaration	<a href="https://www.globtek.com/pdf/iso_certificates/REACH.pdf">https://www.globtek.com/pdf/iso_certificates/REACH.pdf</a>
Conflict Minerals Declaration	<a href="https://www.globtek.com/pdf/conflict-minerals.pdf">https://www.globtek.com/pdf/conflict-minerals.pdf</a>
Prop 65 Statement	<a href="https://en.globtek.com/prop-65-statement.pdf">https://en.globtek.com/prop-65-statement.pdf</a>

IPXY rating is based on 3rd party testing and customers should check suitability and test system level IPXY rating before ordering.

## Regulatory Certifications/Label Markings

Below follows a link to the latest regulatory certifications and marks for this specific product. National standards as well as certification schemes are constantly changing and so is the set of certification marks and symbols applicable to this product. Various standards, marks and symbols, and certificates are subject to change at any time without notice.

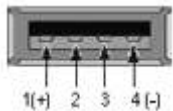
Additional standards or unique country certifications are available upon request. Please contact Globtek to request a quotation.

LATEST PRODUCT/MODEL CERTIFICATIONS: <https://www.globtek.com/datasheet/w70882>

AGENCY ONLINE DOCUMENTS <http://www.globtek.info/certs/GTM41078-USB/>



(F1) Class II / Double Insulated



Pin 1: (+V),  
Pin 2 & 3: No connection  
Pin 4: (-V)

GlobTek, Inc. www.globtek.com 186 Veterans Drive, Northvale, NJ 07647 Tel. (201) 784-1000 Fax (201) 784-0111	Drawing Title: GTM41078-0605-USB, ICT / ITE / Medical Power Supply, Efficiency Level: V, Case Color/Style: GlobTek Black, Wall Plug-in, Regulated Switchmode AC-DC Power Supply AC Adaptor, Input Rating: 100-240V~, 50-60 Hz, Interchangeable Blades <a href="http://en.globtek.com/interchangeable-blades.php">http://en.globtek.com/interchangeable-blades.php</a> , Output Rating: 6W, 5.0V@1.2A, Output Configuration: N/A mm, N/A/4 Cond, N/A, Type "A" USB "JACK", integral to power supply enclosure, Ferrite: None, N/A, GT Cord # C0132, Pin Out: Pin 1: (+V), Pin 2 & 3: No connection Pin 4: (-V), Blades/Input Cord: (Order Separately), Approvals: NOM (15V only); UKCA; EC; Double Insulation; WEEE; China RoHS; RoHS; Ukraine; LPS 60950; IP20; Level V; cETLus ES60601 (5V only); cETLus 60601-1 3rd (5V only); cETLus (5V only); cETLus (5V only); CB 60601-1 2MOPP (5V only); CB 60950 (5V only); South Africa; Serbia; CE; Korea (5V Only); RCM; Taiwan BSMI (5V only); IRAM; Kuwait; Saudi; EAC; CCC; GEMS (5V); PSE; VCCI;	
	Model No. GTM41078-0605-USB	
	Part No./Ordering No. WR9QA1200USBNMEDRVB	Rev I2

## PACKAGING

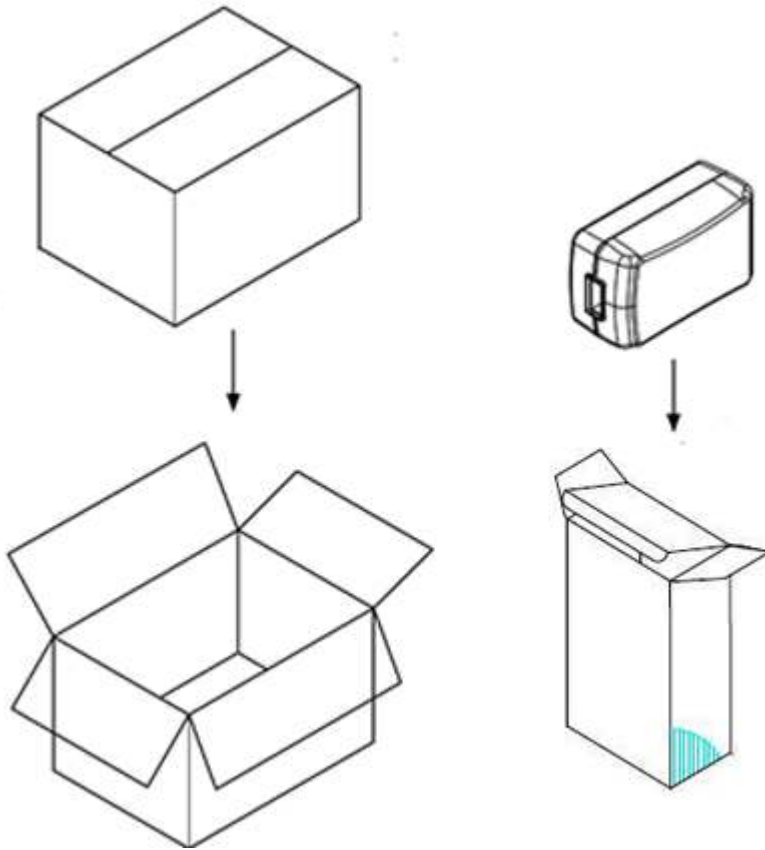
Packing Spec P/N	Standard with USB Jack, Individually Box
Box Qty	210
Gift Box Size (mm)	74 x 35 x 42
Gift Box Color	White
Master Carton Size (mm)	544 x 375 x 151
Master Carton Cubic Volume (m <sup>3</sup> )	0.03
Master GW (Kg)	15.6 kg
BLADES INCLUDED	None: (Order Separately)
BLADE/CORD INSTALLED	None: (Order Separately)
USER MANUAL*	
USER MANUAL WEB LINK	

\* This specification sheet is considered the user manual for all applications. It is expected that the buyer of this product will use it to formulate their own user manual for their end product and a user manual specifically for the power adapter is not usually required. If a user manual is not specifically listed above then none will be provided with this unit.



GlobTek, Inc. www.globtek.com 186 Veterans Drive, Northvale, NJ 07647 Tel. (201) 784-1000 Fax (201) 784-0111	Drawing Title: GTM41078-0605-USB, ICT / ITE / Medical Power Supply, Efficiency Level: V, Case Color/Style: GlobTek Black, Wall Plug-in, Regulated Switchmode AC-DC Power Supply AC Adaptor, Input Rating: 100-240V~, 50-60 Hz, Interchangeable Blades <a href="http://en.globtek.com/interchangeable-blades.php">http://en.globtek.com/interchangeable-blades.php</a> , Output Rating: 6W, 5.0V@1.2A, Output Configuration: N/A mm, N/A/4 Cond, N/A, Type "A" USB "JACK", integral to power supply enclosure, Ferrite: None, N/A, GT Cord # C0132, Pin Out: Pin 1: (+V), Pin 2 & 3: No connection Pin 4: (-V), Blades/Input Cord: (Order Separately), Approvals: NOM (15V only); UKCA; EC; Double Insulation; WEEE; China RoHS; RoHS; Ukraine; LPS 60950; IP20; Level V; cETLus ES60601 (5V only); cETLus 60601-1 3rd (5V only); cETLus (5V only); cETLus (5V only); CB 60601-1 2MOPP (5V only); CB 60950 (5V only); South Africa; Serbia; CE; Korea (5V Only); RCM; Taiwan BSMI (5V only); IRAM; Kuwait; Saudi; EAC; CCC; GEMS (5V); PSE; VCCI;	
	Model No. GTM41078-0605-USB	
	Part No./Ordering No. WR9QA1200USBNMEDRVB	Rev I2

If specific packaging is required, this section must specify all requirements and note "no exceptions". If this section does not specify packaging, it is subject to change without notice at GlobTek's discretion



GlobTek, Inc. www.globtek.com 186 Veterans Drive, Northvale, NJ 07647 Tel. (201) 784-1000 Fax (201) 784-0111	Drawing Title: GTM41078-0605-USB, ICT / ITE / Medical Power Supply, Efficiency Level: V, Case Color/Style: GlobTek Black, Wall Plug-in, Regulated Switchmode AC-DC Power Supply AC Adaptor, Input Rating: 100-240V~, 50-60 Hz, Interchangeable Blades <a href="http://en.globtek.com/interchangeable-blades.php">http://en.globtek.com/interchangeable-blades.php</a> , Output Rating: 6W, 5.0V@1.2A, Output Configuration: N/A mm, N/A/4 Cond, N/A, Type "A" USB "JACK", integral to power supply enclosure, Ferrite: None, N/A, GT Cord # C0132, Pin Out: Pin 1: (+V), Pin 2 & 3: No connection Pin 4: (-V), Blades/Input Cord: (Order Separately), Approvals: NOM (15V only); UKCA; EC; Double Insulation; WEEE; China RoHS; RoHS; Ukraine; LPS 60950; IP20; Level V; cETLus ES60601 (5V only); cETLus 60601-1 3rd (5V only); cETLus (5V only); cETLus (5V only); CB 60601-1 2MOPP (5V only); CB 60950 (5V only); South Africa; Serbia; CE; Korea (5V Only); RCM; Taiwan BSMI (5V only); IRAM; Kuwait; Saudi; EAC; CCC; GEMS (5V); PSE; VCCI;	
	Model No. GTM41078-0605-USB	
	Part No./Ordering No. WR9QA1200USBNMEDRVB	Rev I2

## INSTRUCTIONS TO THE OEM SYSTEMS ENGINEER

It is the responsibility of the OEM systems engineer to provide the end system user instructions and warnings for the use of this product in the end system.

If an input cord is required for this product, AC Mains voltage should be provided to the power supply by a power supply cord approved to the national standards of the country in which it will be used.

This product is not designed to be repaired. No serviceable parts inside. A blown internal fuse is an indication of catastrophic failure of circuit component(s). If a Failure Analysis is required for a failed power supply/battery charger, please return the damaged unit to GlobTek for an accurate determination of the root cause of the failure.

EMC Compliance of the complete OEM product, including the GlobTek power supply/battery charger needs to be verified by the OEM systems engineer.

## INSTRUCTION SHEET

Q Blades Instruction Sheet (not required to be packaged with product)

Insertion Instructions: <http://www.globtek.com/pdf/Instructions-Interchangeable-Blades.pdf>

This manual is Provided to customer within the product specification - it is the responsibility of the OEM/customer to provide the end system user instructions + warnings for the use of this product in the end system. By accepting this specification the customer/OEM Agrees to these terms.

## USER MANUAL FOR Q-BLADE SERIES SWITCHING POWER SUPPLIES

Manual del Usuario. Fuentes de Alimentación Series Q-Blade

**WARNING! RISK OF FIRE! SHOCK HAZARD!:** To prevent electric shock, do not remove the cover. No user-serviceable parts inside. This unit contains hazardous voltages and should only be opened by a trained and qualified technician. Do not use if bent, cracked, modified or compromised. To avoid the possibility of electric shock, disconnect electric power to the product before connecting or disconnecting.

**Advertencia! Riesgo de Fuego! Peligro de Choque eléctrico!** No contiene dentro componentes servibles para el usuario. Desconecte el cable de alimentación antes de quitar la cubierta.

## INDOOR USE ONLY!

Únicamente para uso en el interior.

**POWER SUPPLY BLADE/CORD:** AC Mains voltage should be provided to the power supply by a power supply cords approved to the national standards in which it will be used. Please use the below table as a guideline for Suitable Power cords.

GlobTek, Inc. www.globtek.com 186 Veterans Drive, Northvale, NJ 07647 Tel. (201) 784-1000 Fax (201) 784-0111	Drawing Title: GTM41078-0605-USB, ICT / ITE / Medical Power Supply, Efficiency Level: V, Case Color/Style: GlobTek Black, Wall Plug-in, Regulated Switchmode AC-DC Power Supply AC Adaptor, Input Rating: 100-240V~, 50-60 Hz, Interchangeable Blades <a href="http://en.globtek.com/interchangeable-blades.php">http://en.globtek.com/interchangeable-blades.php</a> , Output Rating: 6W, 5.0V@1.2A, Output Configuration: N/A mm, N/A/4 Cond, N/A, Type "A" USB "JACK", integral to power supply enclosure, Ferrite: None, N/A, GT Cord # C0132, Pin Out: Pin 1: (+V), Pin 2 & 3: No connection Pin 4: (-V), Blades/Input Cord: (Order Separately), Approvals: NOM (15V only); UKCA; EC; Double Insulation; WEEE; China RoHS; RoHS; Ukraine; LPS 60950; IP20; Level V; cETLus ES60601 (5V only); cETLus 60601-1 3rd (5V only); cETLus (5V only); cETLus (5V only); CB 60601-1 2MOPP (5V only); CB 60950 (5V only); South Africa; Serbia; CE; Korea (5V Only); RCM; Taiwan BSMI (5V only); IRAM; Kuwait; Saudi; EAC; CCC; GEMS (5V); PSE; VCCI;	
	Model No. GTM41078-0605-USB	
	Part No./Ordering No. WR9QA1200USBNMEDRVB	Rev I2

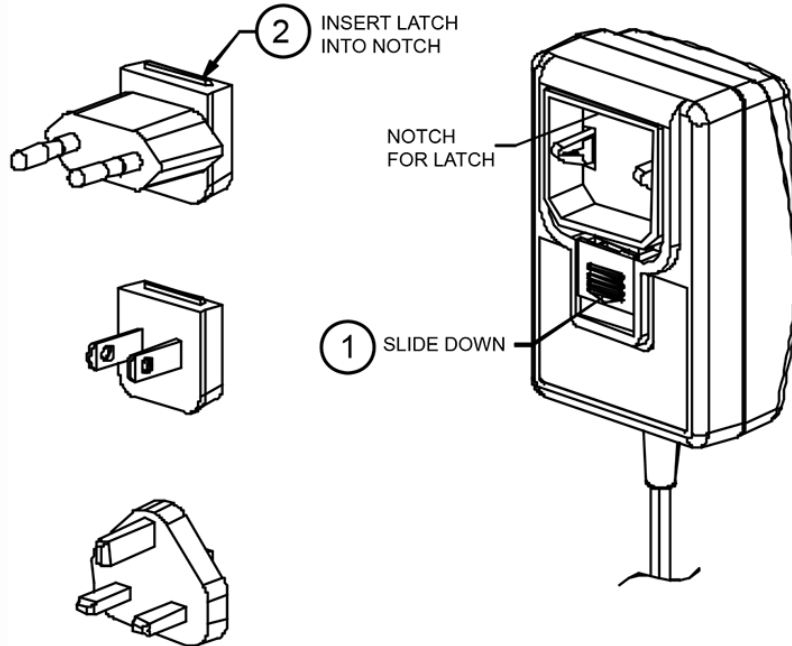
CABLE DE ALIMENTACIÓN: El voltaje de la CA debe proporcionarse a la fuente de alimentación mediante los cables de alimentación aprobados conforme a las normas nacionales según las cuales será utilizada. Utilice por favor la tabla mencionada aquí abajo como guía para los cables eléctricos adecuados.

1. Class II model NEMA 1-15P AC power plug with 2 prongs, Q-NA(R)
2. Australian AS 3112 configuration: SAA 2 pins Class II, Q-SAA(R)
3. UK BS 1363 configuration: UK 2 pins Class II, Q-UK(R)
4. European CEE 7/16 configuration: Europlug 2 PINS, Class II, Q-EU(R)
5. Korean KS C8305 configuration: Q-KR(R)
6. Argentina IRAM 2073 configuration: 2 pins, Class II Q-AR(R)
7. China GR 2099 configuration: 2 pins, Class II Q-CN(R)
8. India configuration: 2 pins, Class II, Q-IN(R)
9. IEC320/C18 Inlet

FUSING: Internal fuse for Line is provided in the power supply. A blown internal fuse is an indication of catastrophic failure of circuit component(s). Repair must be performed by GlobTek, Inc. authorized personnel. Fuses must be replaced with same type and ratings per GlobTek internal documentation.

<p>GlobTek, Inc. www.globtek.com 186 Veterans Drive, Northvale, NJ 07647 Tel. (201) 784-1000 Fax (201) 784-0111</p>	<p>Drawing Title: GTM41078-0605-USB, ICT / ITE / Medical Power Supply, Efficiency Level: V, Case Color/Style: GlobTek Black, Wall Plug-in, Regulated Switchmode AC-DC Power Supply AC Adaptor, Input Rating: 100-240V~, 50-60 Hz, Interchangeable Blades <a href="http://en.globtek.com/interchangeable-blades.php">http://en.globtek.com/interchangeable-blades.php</a>, Output Rating: 6W, 5.0V@1.2A, Output Configuration: N/A mm, N/A/4 Cond, N/A, Type "A" USB "JACK", integral to power supply enclosure, Ferrite: None, N/A, GT Cord # C0132, Pin Out: Pin 1: (+V), Pin 2 &amp; 3: No connection Pin 4: (-V), Blades/Input Cord: (Order Separately), Approvals: NOM (15V only); UKCA; EC; Double Insulation; WEEE; China RoHS; RoHS; Ukraine; LPS 60950; IP20; Level V; cETLus ES60601 (5V only); cETLus 60601-1 3rd (5V only); cETLus (5V only); cETLus (5V only); CB 60601-1 2MOPP (5V only); CB 60950 (5V only); South Africa; Serbia; CE; Korea (5V Only); RCM; Taiwan BSMI (5V only); IRAM; Kuwait; Saudi; EAC; CCC; GEMS (5V); PSE; VCCI;</p> <p>Model No. GTM41078-0605-USB</p>	<p>Part No./Ordering No. WR9QA1200USBNMEDRVB</p> <p>Rev I2</p>
---	---	--

**FUSIBLES:** La fuente de alimentación provee un fusible interno para la línea. Un fusible interno quemado es un indicador de una falla catastrófica de los componentes del circuito. La reparación debe ser hecha por personal autorizado de GlobTek, Inc. Los fusibles se deben reemplazar por los mismos tipos y rangos que la documentación interna de GlobTek mencione.



This symbol on an instrument indicates that the user should refer to the operating instructions located in the manual.

Please note:

The blades shown above are for representation of the installation process and do not indicate which AC blades are included with this power supply. Please reference the specifications "Power Supply Information" (page 2) and "Input Configuration (page 6) for information regarding the actual blade included with this power supply, if any.

<p>GlobTek, Inc.  www.globtek.com  186 Veterans Drive,  Northvale, NJ 07647  Tel. (201) 784-1000  Fax (201) 784-0111</p>	<p>Drawing Title: GTM41078-0605-USB, ICT / ITE / Medical Power Supply, Efficiency Level: V, Case Color/Style: GlobTek Black, Wall Plug-in, Regulated Switchmode AC-DC Power Supply AC Adaptor, Input Rating: 100-240V~, 50-60 Hz, Interchangeable Blades <a href="http://en.globtek.com/interchangeable-blades.php">http://en.globtek.com/interchangeable-blades.php</a>, Output Rating: 6W, 5.0V@1.2A, Output Configuration: N/A mm, N/A/4 Cond, N/A, Type "A" USB "JACK", integral to power supply enclosure, Ferrite: None, N/A, GT Cord # C0132, Pin Out: Pin 1: (+V), Pin 2 &amp; 3: No connection Pin 4: (-V), Blades/Input Cord: (Order Separately), Approvals: NOM (15V only); UKCA; EC; Double Insulation; WEEE; China RoHS; RoHS; Ukraine; LPS 60950; IP20; Level V; cETLus ES60601 (5V only); cETLus 60601-1 3rd (5V only); cETLus (5V only); cETLus (5V only); CB 60601-1 2MOPP (5V only); CB 60950 (5V only); South Africa; Serbia; CE; Korea (5V Only); RCM; Taiwan BSMI (5V only); IRAM; Kuwait; Saudi; EAC; CCC; GEMS (5V); PSE; VCCI;</p>
	<p>Model No. GTM41078-0605-USB</p>
	<p>Part No./Ordering No. WR9QA1200USBNMEDRVB <span style="float: right;">Rev I2</span></p>

