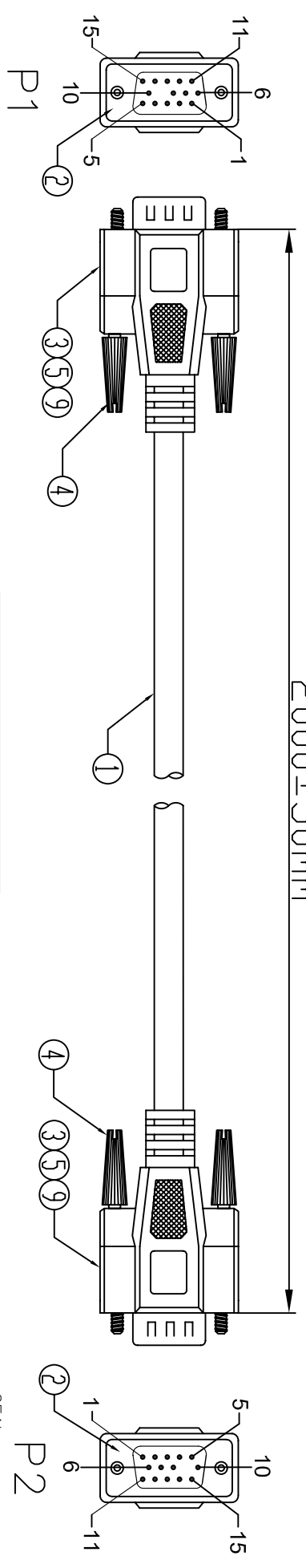
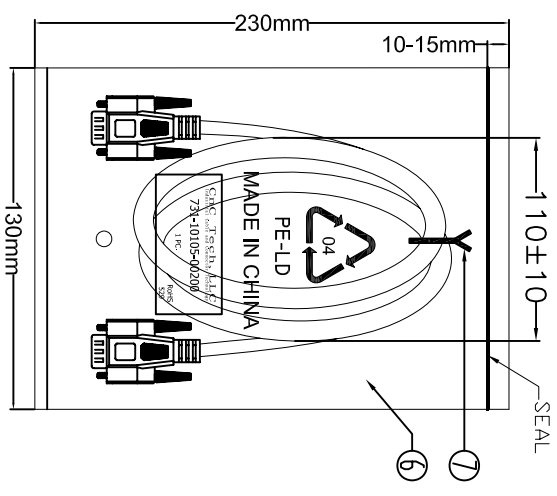


UNIT:mm



Electronic Test:
 1. 100% Test,(Open,Short, Miss Wire)
 2. Contact Resistance:2 ohm max.
 3. Insulation Resistance:5M ohm min.
 4. Hi-Pot:300V DC/10ms

PIN ASSIGNMENT	
P1	P2
1	1
2	2
3	3
4	4
5	5
6	6
7	7
8	8
10	10
11	11
12	12
13	13
14	14
15	15
Shield	Shield



⑨	TUBE	2	HEAT SHRINK TUBE BLACK OD1.5*L=15MM
⑧	PE BAG	1/10	CLEAR SIZE:280*330*0.05mm PRINT BLACK"MADE IN CHINA"+"10PCS".
⑦	TIE	1	WHITE L=120mm
⑥	PE BAG	1	CLEAR SIZE:130*230*0.05mm PRINT BLACK"MADE IN CHINA".
⑤	COPPER FOIL	2	DOUBLE-SIDED CONDUCTIVE COPPER FOIL 18U" W25mm*155mm
④	SCREW	4	SCREW:#4-40UNC L47mm,NICKEL PLATED,INSULATION COLOR BEIGE(V-29)
③	OUT JACKET	43.5g	BEIGE(V-29) 40P PVC(MOULD NO:WW-113)
②	IN JACKET	8g	CLEAR LDPE(MOULD NO:NM-049)
①	CABLE	1	NOUL 28AWG(7/0.12TC)*14C+AL/MY+D.W(7/0.12 TC) OUTER JACKET COROL:BEIGE(V-29) OD:6.0±0.15mm. L=2000±20mm.

CNC Tech, LLC

Industrial Cable and Connector Technology

DRAWN BY	ZHONGHS	DRAWING NO.	
CHECKED BY		CUSTOMER	
APPROVAL BY		ITEM NO.	731-10105-00200
DECIDE BY		DATE	2011-2-02-07
VERSIONS/EDITION	A/0	PROJECTION	

