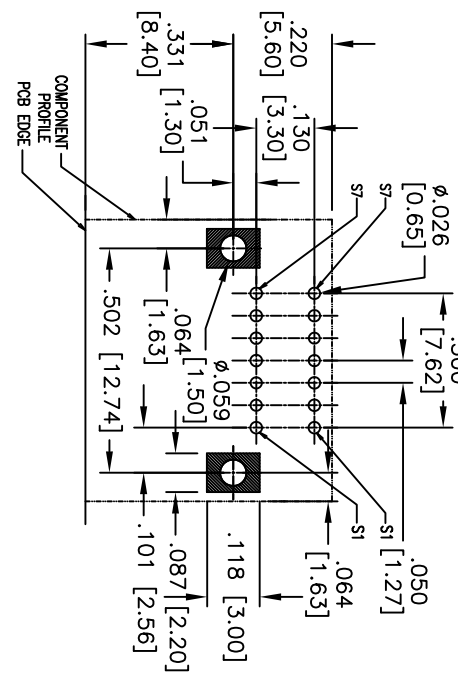
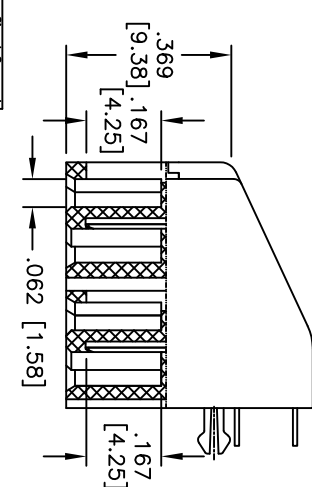
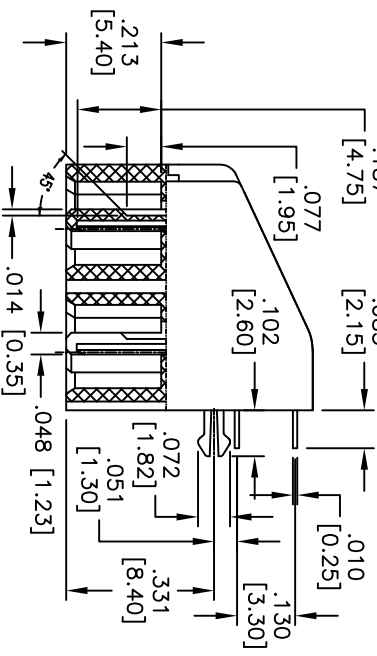
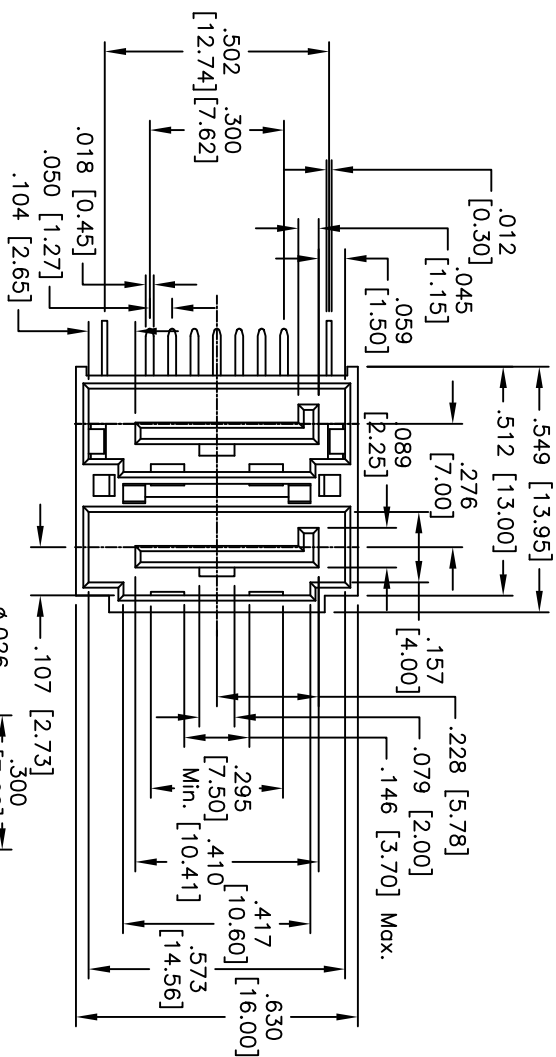
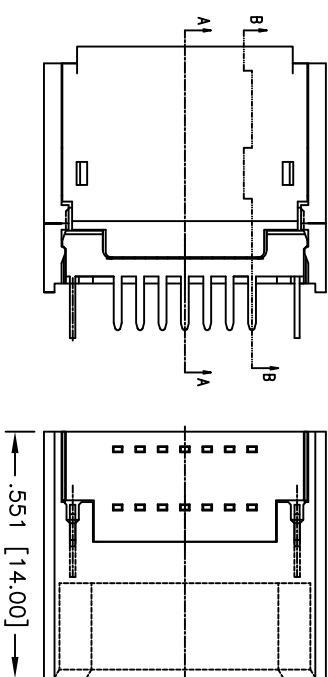


APPROVED: _____

DATE: _____

TITLE: _____

Rev	AWO #	Description	Date	Appr
-		RELEASED	5/25/11	
A		UPDATED SHAPE	3/23/15	HR/VC



Signal Segment Name	Type
S1	QND
S2	QND
S3	AT
S4	AT
S5	QND
S6	B+
S7	B+
S8	B+
S9	B+
S10	QND

RECOMMENDED PCB LAYOUT

ADAM TECH

909 Railway Avenue, Union, NJ 07083
 Phone: 908-687-5000 Fax: 908-687-5710

TITLE: SATA CONNECTOR, TYPE D, MALE
 14 PIN, LEFT POLARIZATION, RA DIP TYPE

SPECIFICATIONS:
 Material: Nylon66, glass reinforced, rated UL 94V-0
 Insulator color: Black
 Contacts: Brass
 Harpoon: Brass, Tin over Nickel
 Plating:
 Tin over Copper underplate on tails
 Tin over Nickel underplate on mating area,
 Electrical:
 Operating voltage: 100 VAC max
 Current rating: 1.5 Amps max
 Contact resistance: 30 mohms max
 Insulation resistance: 1,000 Mohms min
 Dielectric withstanding voltage: 500 VAC
 Temperature Rating:
 Operating temperature: -55°C to +125°C
 Environmental:
 Lead free, ROHS compliant



UNLESS OTHERWISE SPECIFIED ALL DIMENSIONS ARE INCHES [MM]	
TOLERANCES: EXCEPT AS NOTED	
INCHES	HOLDS
.X ± .10	± .10
.XX ± .020	± .015
.XXX ± .015	± .010
APPROVALS	
DRAWN	DATE
CHECKED	
APPROVED	

SIZE	PART NO.	REV.
X	SATA-D-PL-RT	A
REF: S00078T	SCALE: NTS	SHEET 1 OF 1